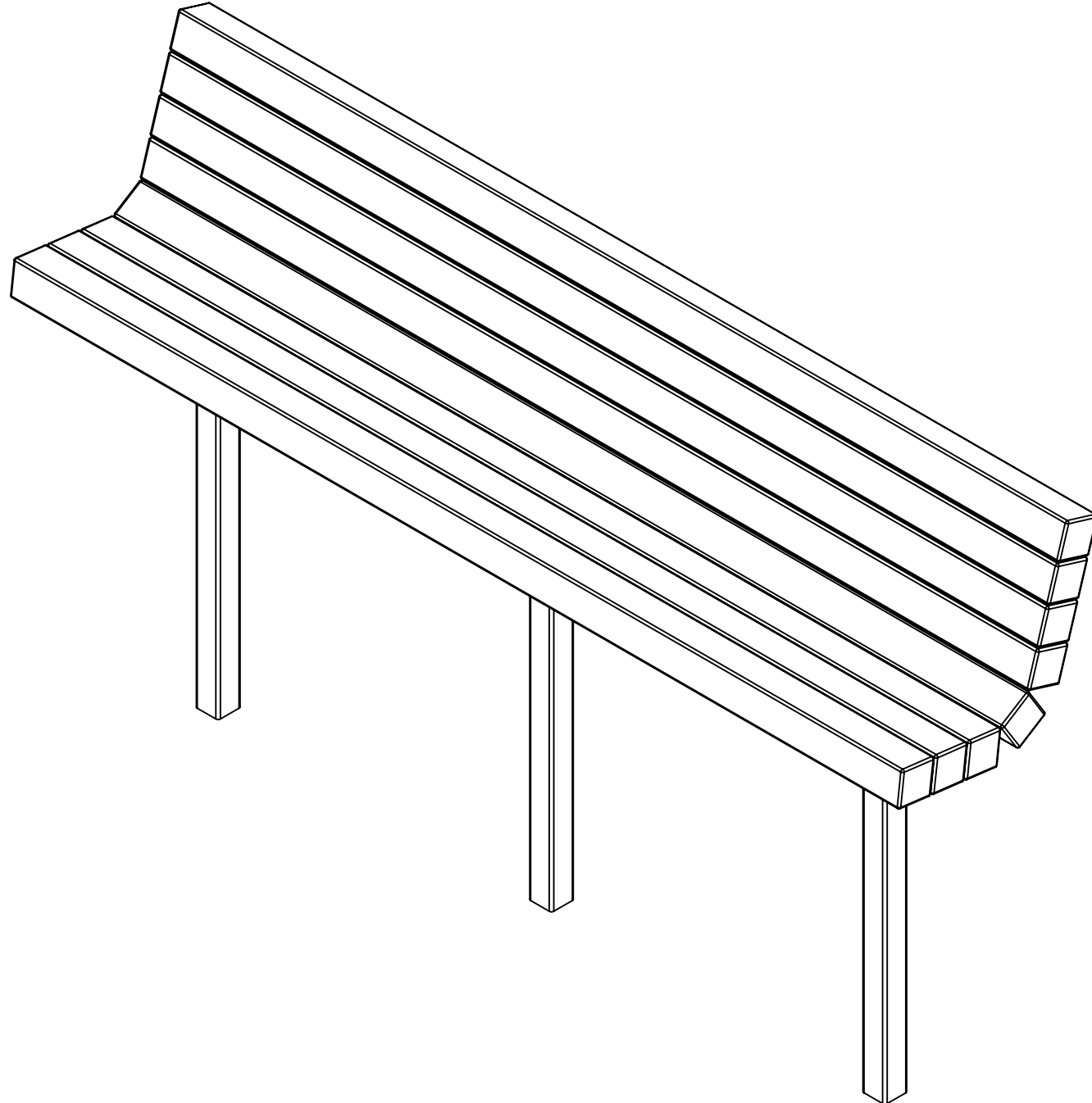


# BENCH INSTRUCTIONS

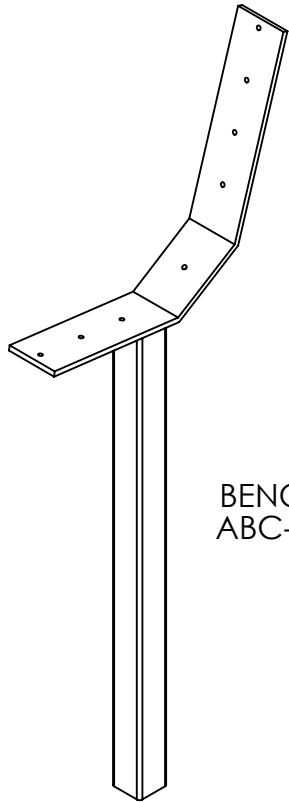
## BC1345

REV# 2 7-15-2016

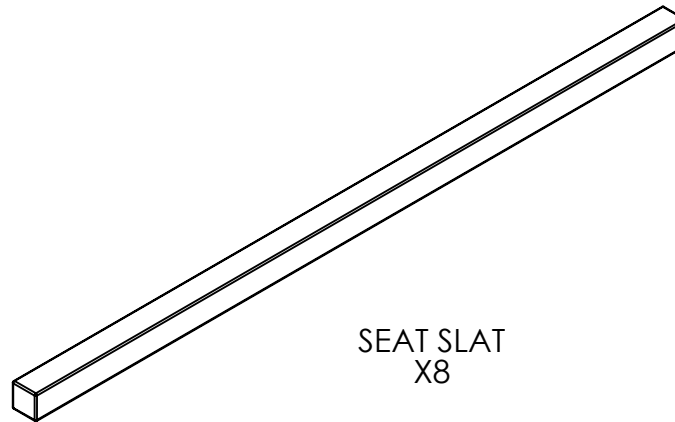


# BENCH INSTRUCTIONS

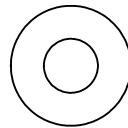
## BC1345



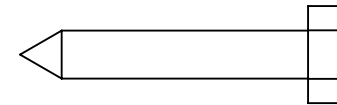
BENCH END  
ABC-SS11020  
X3



SEAT SLAT  
X8



1/4" FLAT WASHER  
X24  
F0001



1/4" X 1.50" LAG SCREW  
X24  
F0002

### REQUIRED TOOLS:

- (1) SCREW GUN
- (1) 7/16" SOCKET
- (1) 8" - 10" POST HOLE DIGGER
- (1) LEVEL

### REQUIRED MATERIALS:

- READY-TO-MIX CONCRETE
- LOOSE GRAVEL
- WIRE & BRACING MATERIAL

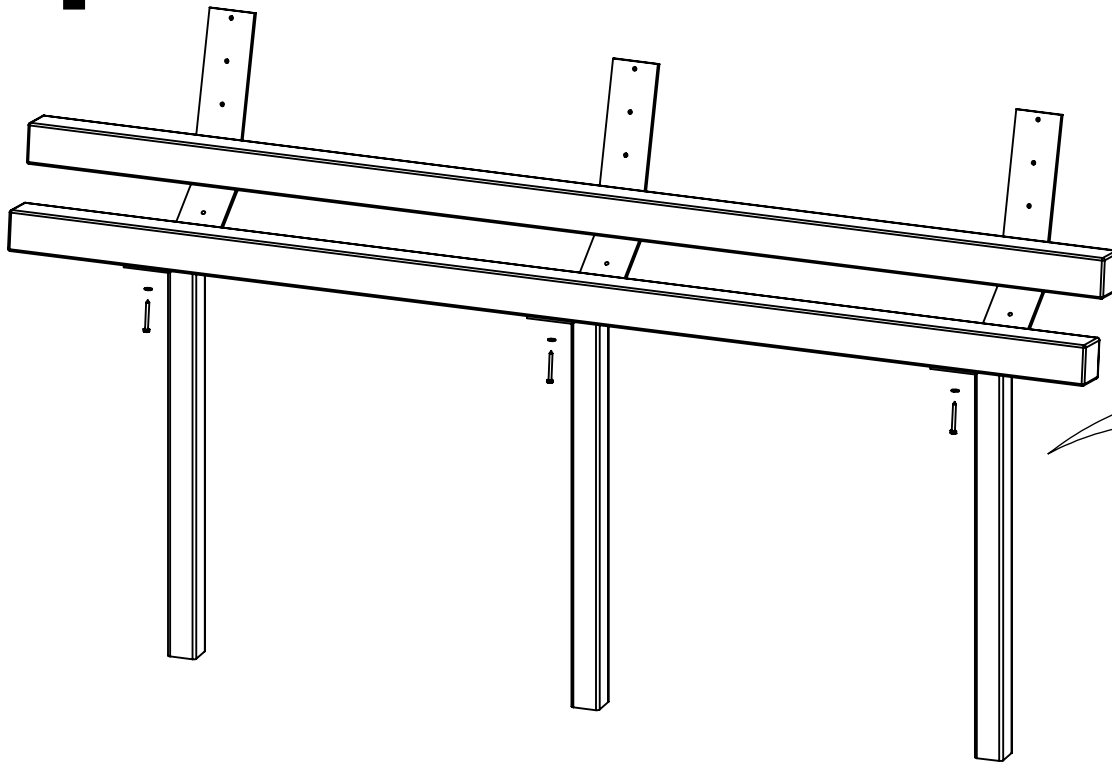
BEFORE INSTALLING BENCH, PLEASE CHECK LOCAL CODES TO ENSURE PROPER INSTALLATION. THESE INSTRUCTIONS ARE A GENERAL GUIDELINE ON HOW TO INSTALL A BENCH. IF UNSURE ON HOW TO INSTALL, PLEASE CONTACT A PROFESSIONAL.

**INCLUDED HARDWARE &  
REQUIRED TOOLS FOR  
ASSEMBLY**

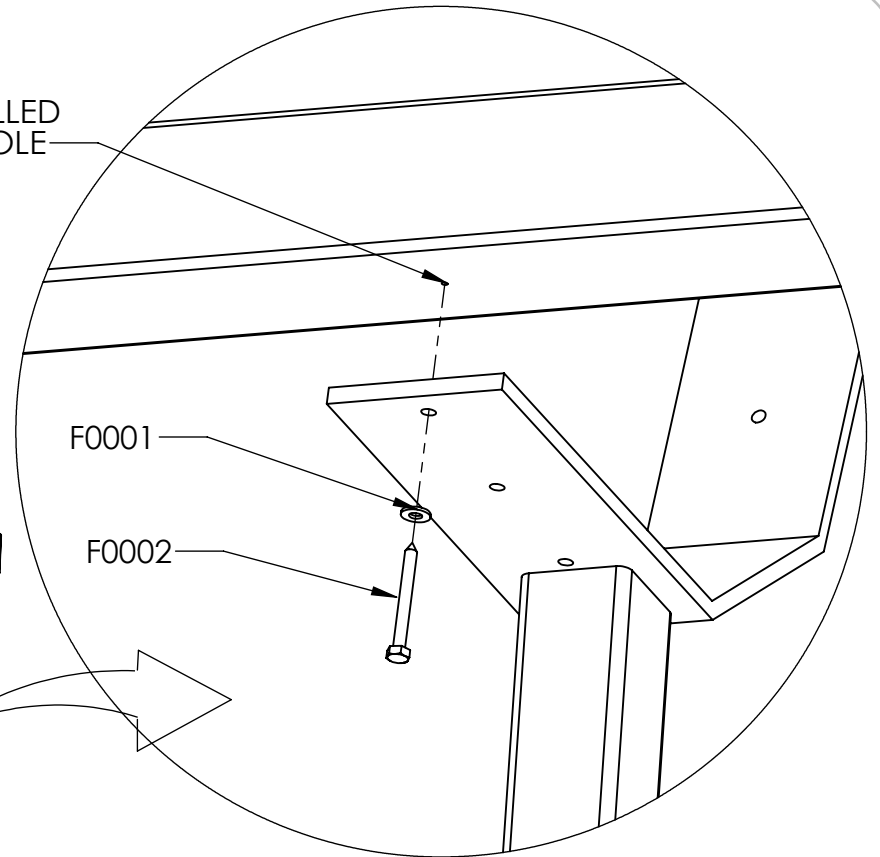
# BENCH INSTRUCTIONS

## BC1345

# 1



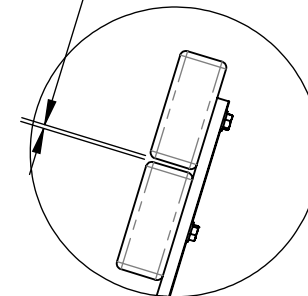
PRE-DRILLED  
PILOT HOLE



F0001

F0002

1/8"  
SPACING



**KEEP SPACING BETWEEN BOARDS  
APPROXIMATELY 1/8".**

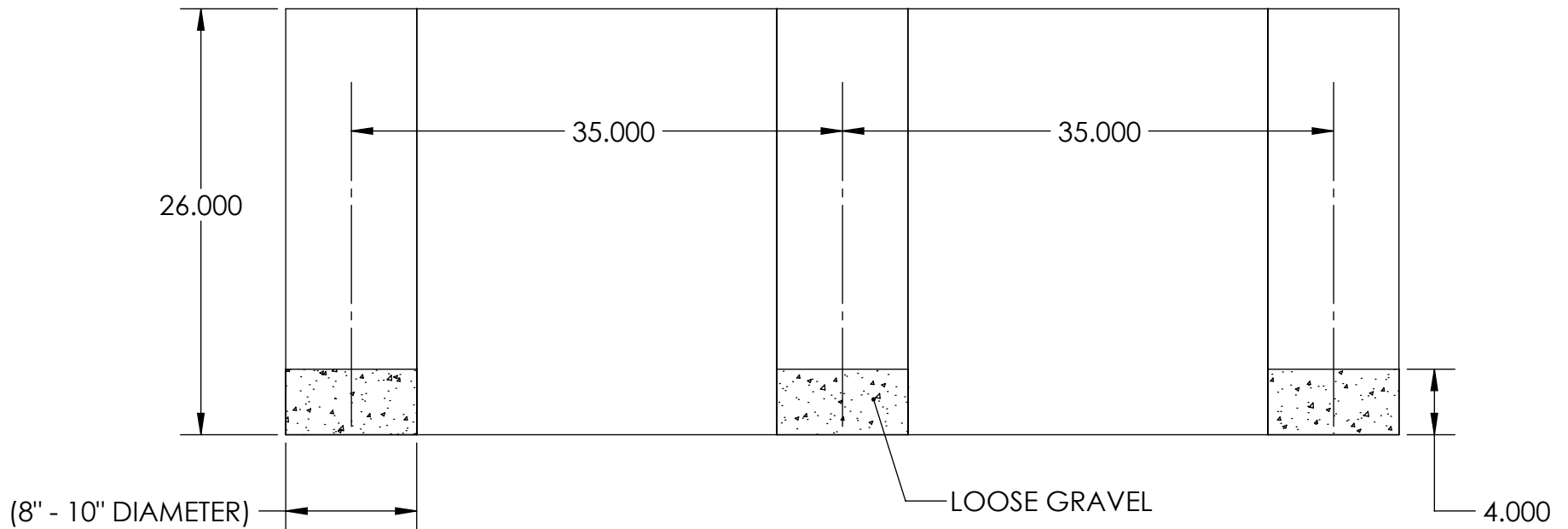
**REPEAT STEPS FOR REMAINING SEAT  
SLATS**

# BENCH INSTRUCTIONS

## BC1345

# 2

USING POST HOLE DIGGER, DIG THREE HOLES AS SHOWN BELOW. THEN, FILL IN EACH HOLE WITH APPROXIMATELY 4" OF LOOSE GRAVEL.

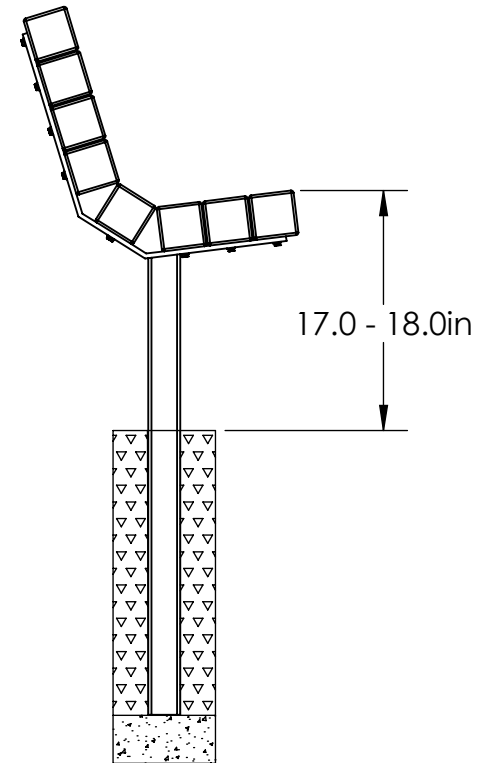
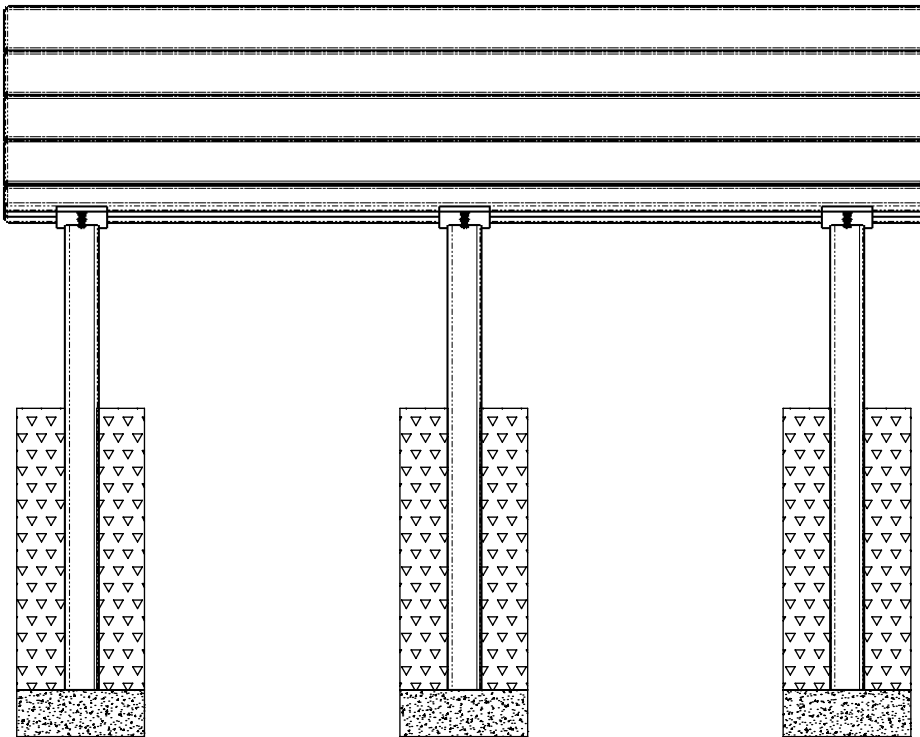


BEFORE INSTALLING BENCH, PLEASE CHECK LOCAL CODES TO ENSURE PROPER INSTALLATION. THESE INSTRUCTIONS ARE A GENERAL GUIDELINE ON HOW TO INSTALL A BENCH. IF UNSURE ON HOW TO INSTALL, PLEASE CONTACT A PROFESSIONAL.

# BENCH INSTRUCTIONS

## BC1345

- 3** CAREFULLY, PLACE THE BENCH INTO HOLES. CENTER EACH POST IN EACH HOLE AND LEVEL BENCH. ALSO, BE SURE TO CHECK SEAT HEIGHT TO ENSURE COMFORTABLE SEATING. SECURE PLACEMENT OF BENCH WITH BRACING MATERIALS AND FILL IN HOLES WITH READY-TO-MIX CONCRETE. ALLOW TO DRY AND REMOVE BRACING MATERIALS.

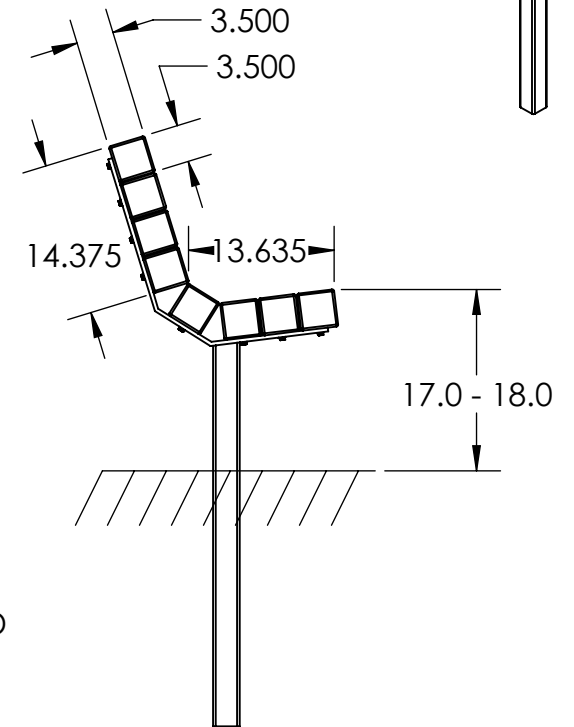
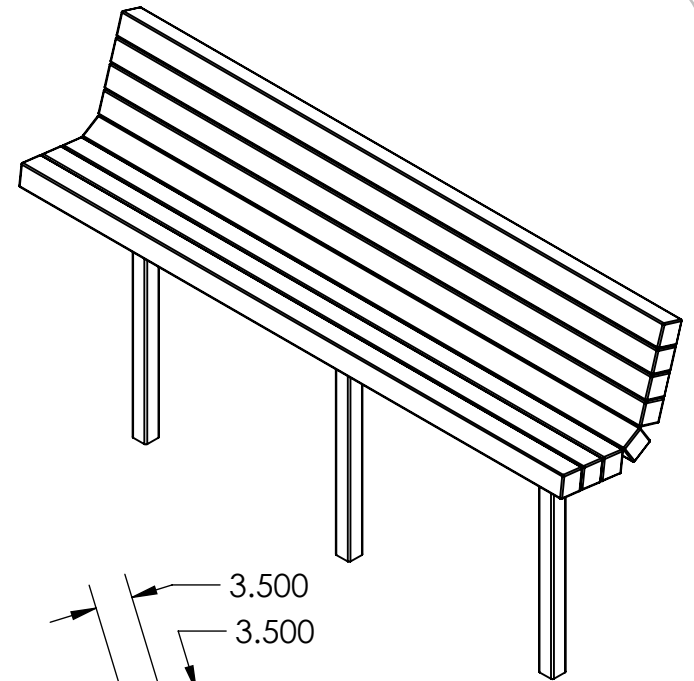
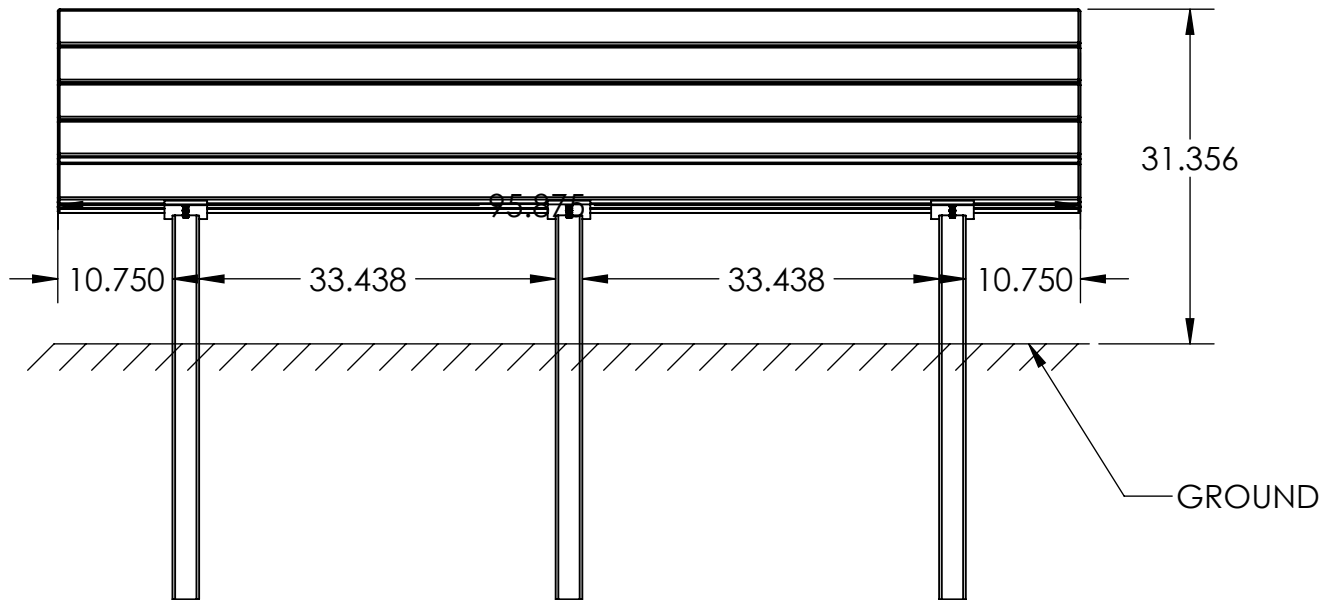
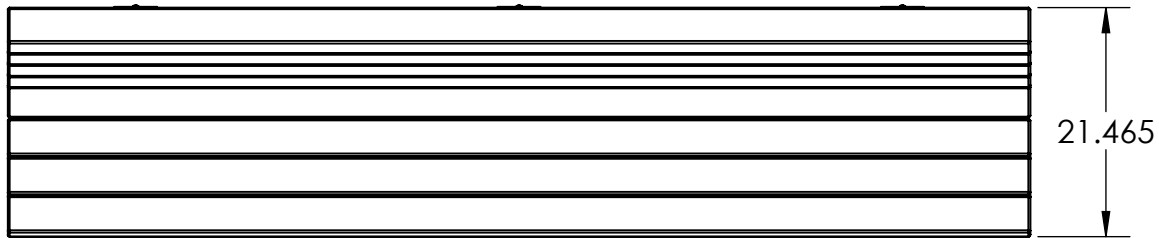


BEFORE INSTALLING BENCH, PLEASE CHECK LOCAL CODES TO ENSURE PROPER INSTALLATION. THESE INSTRUCTIONS ARE A GENERAL GUIDELINE ON HOW TO INSTALL A BENCH. IF UNSURE ON HOW TO INSTALL, PLEASE CONTACT A PROFESSIONAL.

# BENCH SPECIFICATIONS BC1345

ALL DIMENSION ARE SHOWN IN INCHES

TOP VIEW



**CONSTRUCTION MATERIALS:**  
Recycled Plastic, Powder Coated Steel  
**HARDWARE:**  
Stainless Steel

SET POSTS 24 TO 26 INCHES INTO GROUND