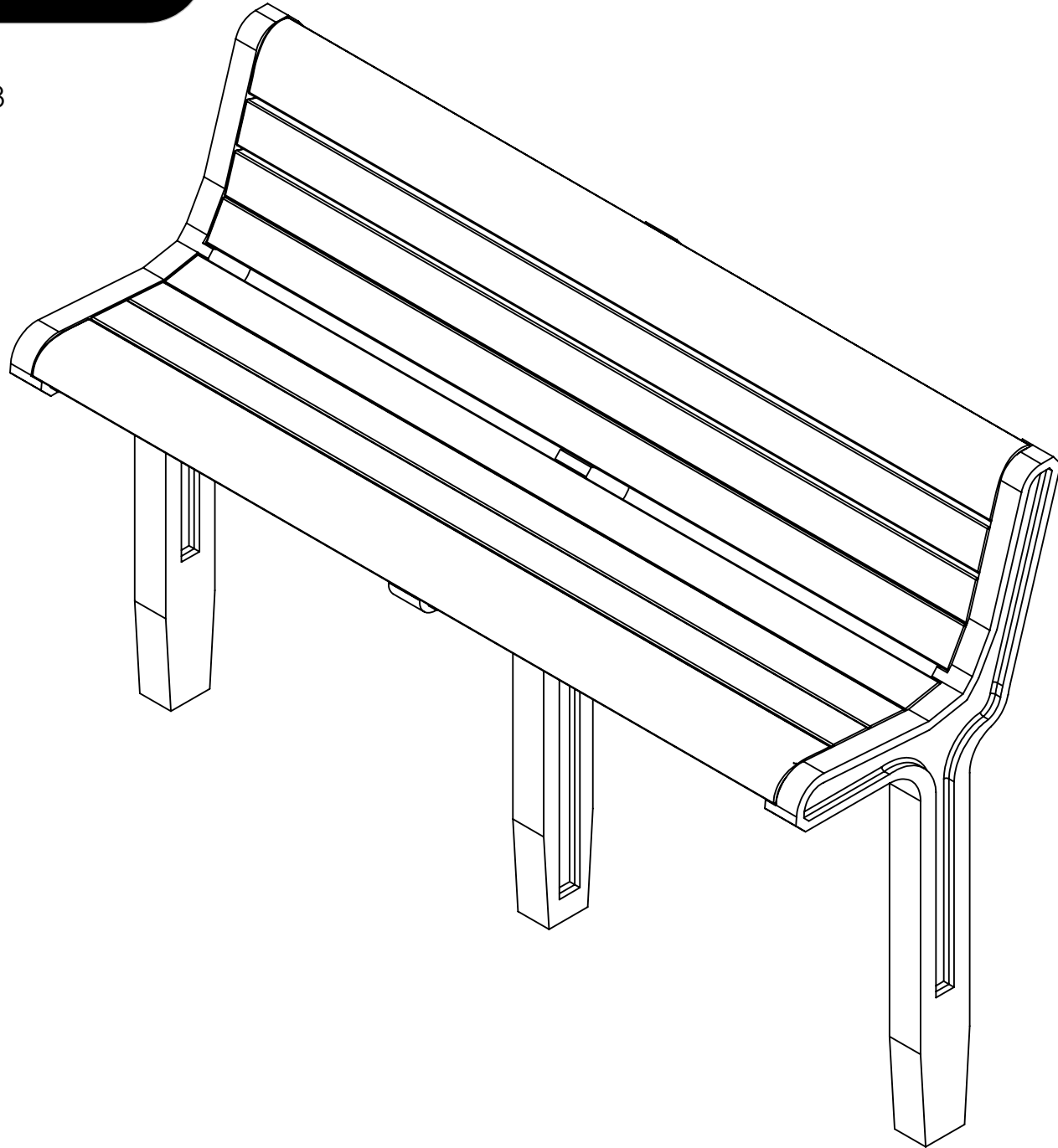


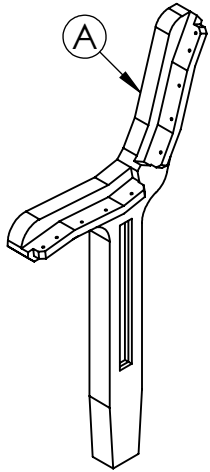
BENCH INSTRUCTIONS

BC2065
BC2066
BC2067
BC2068
BC2069

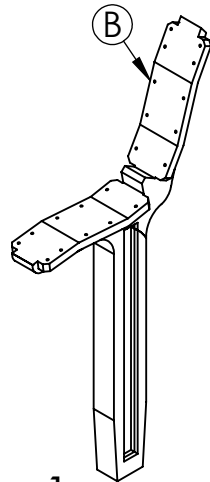
REV# 2
3/14/2018



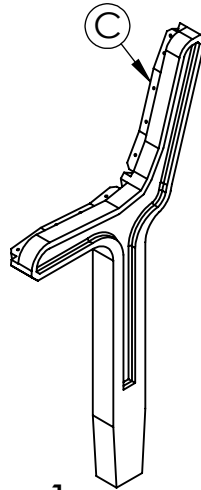
BENCH INSTRUCTIONS



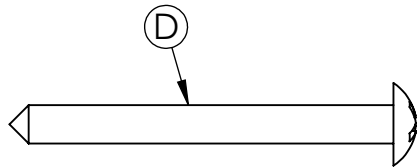
1
LEFT SIDE
BENCH END
PRI7213L



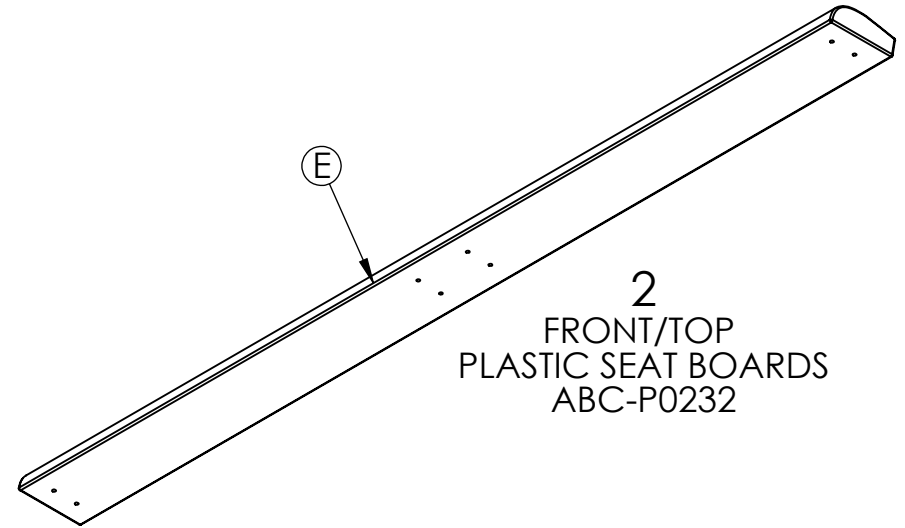
1
CENTER
BENCH END
PRI7213C



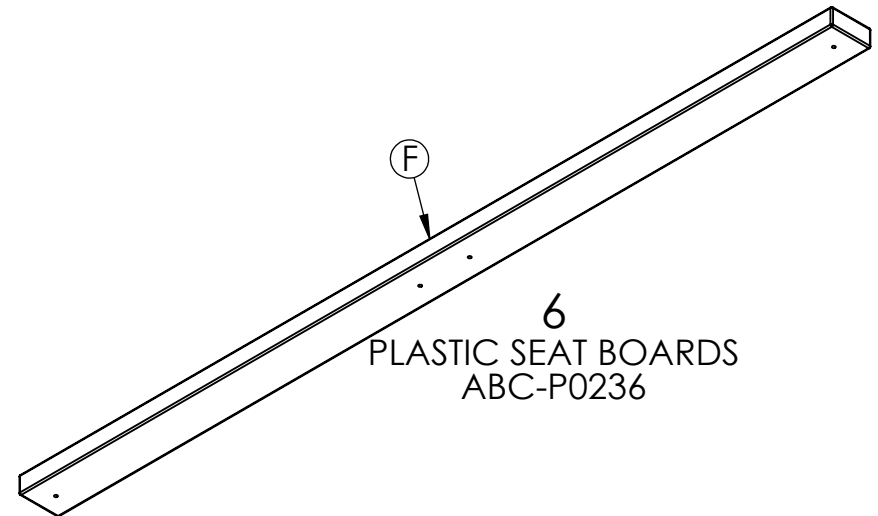
1
RIGHT SIDE
BENCH END
PRI7213R



40
#12 X 2" PAN HEAD SCREWS
SMPP012C200A188



2
FRONT/TOP
PLASTIC SEAT BOARDS
ABC-P0232



6
PLASTIC SEAT BOARDS
ABC-P0236

REQUIRED TOOLS (NOT INCLUDED)

- POWER DRILL
- #2 PHILLIPS BIT
- LEVEL
- SAKCRETE
- GUIDE WIRE / BRACING

NOTE: IT IS IMPORTANT TO KEEP ALL SCREWS LOOSE DURING ASSEMBLY UNTIL ENTIRE BENCH IS ASSEMBLED

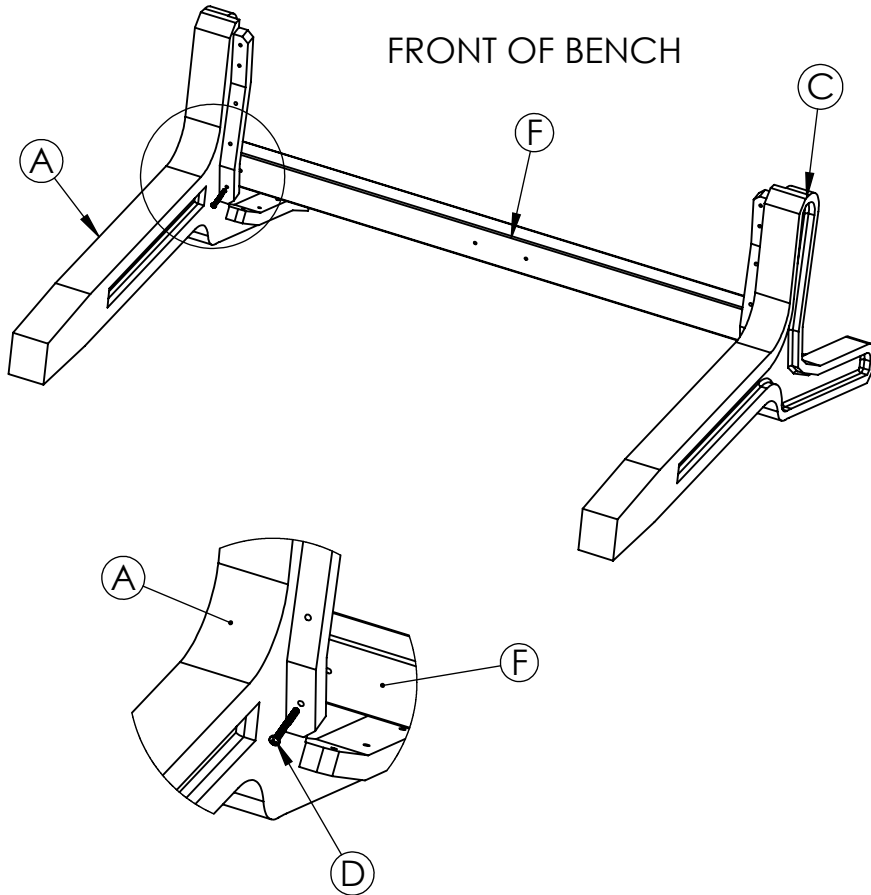
**HARDWARE &
TOOLS REQUIRED
FOR ASSEMBLY**

2/7

BENCH INSTRUCTIONS

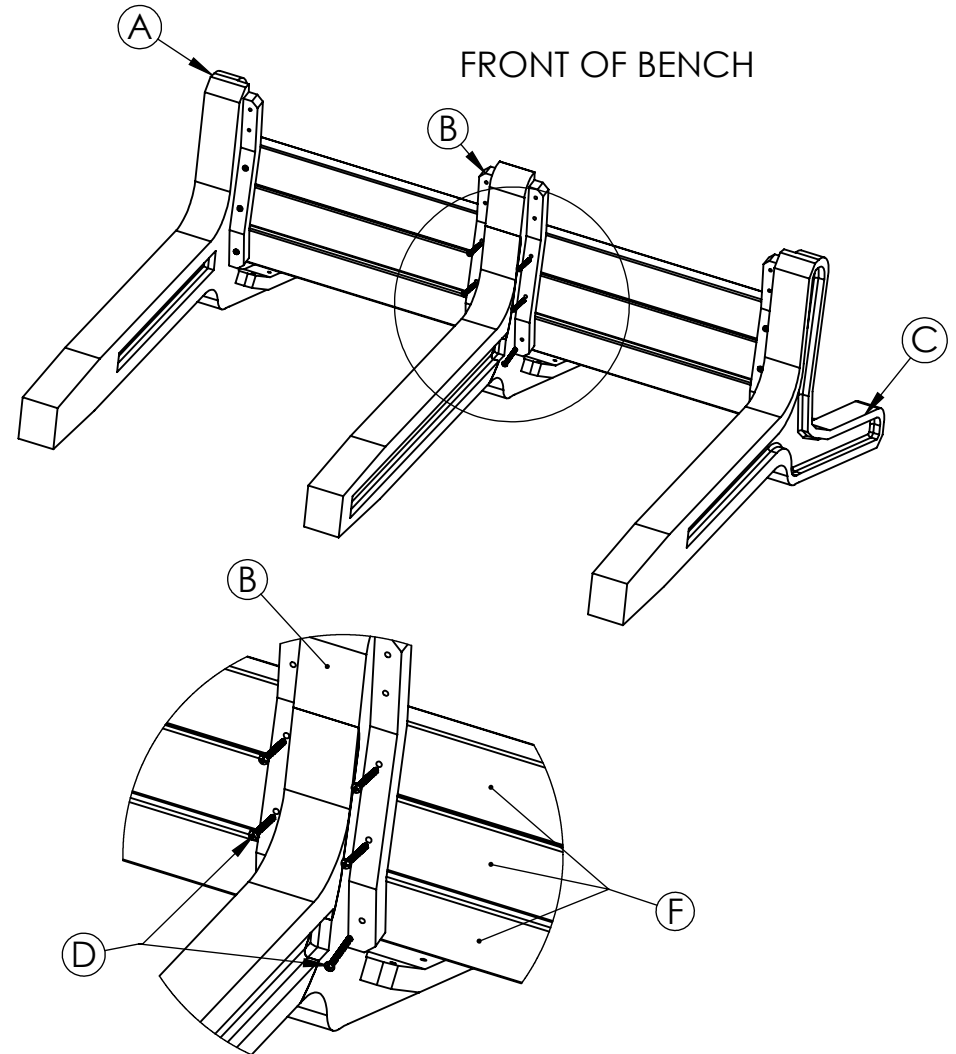
STEP 1 Seat Assembly

- Lay Left Bench End (A) and Right Bench End (C) on its back with the front legs pointing up
- Lay a Plastic Seat Board (F) over the bench ends (A & C) closest to the rear leg on the seat
- Align the marks in the Plastic Seat Board (F) with the predrilled holes in the Bench Ends (A & C)
- Secure the Plastic Seat Board (F) with the #12 x 2 screws (D)
- Repeat for 2 more Plastic Seat Boards (F) starting at the rear and working toward the front



STEP 2 Seat Assembly

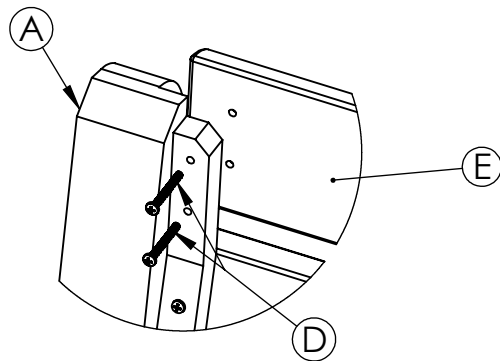
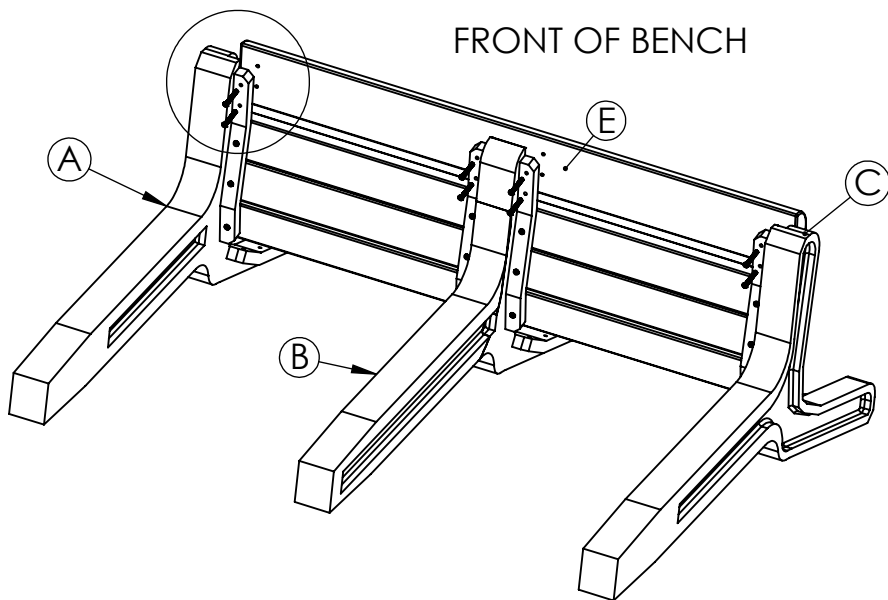
- With the bench still on its back, lay the Center Bench End (B) onto Plastic Seat Boards (F)
- Align the marks in the Plastic Seat Board (F) with the predrilled holes in the Center Bench End (B)
- Secure the three Plastic Seat Boards (F) with the #12 x 2 screws (D) to the Center Bench End (B)



BENCH INSTRUCTIONS

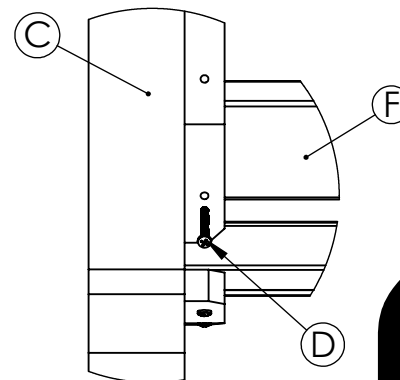
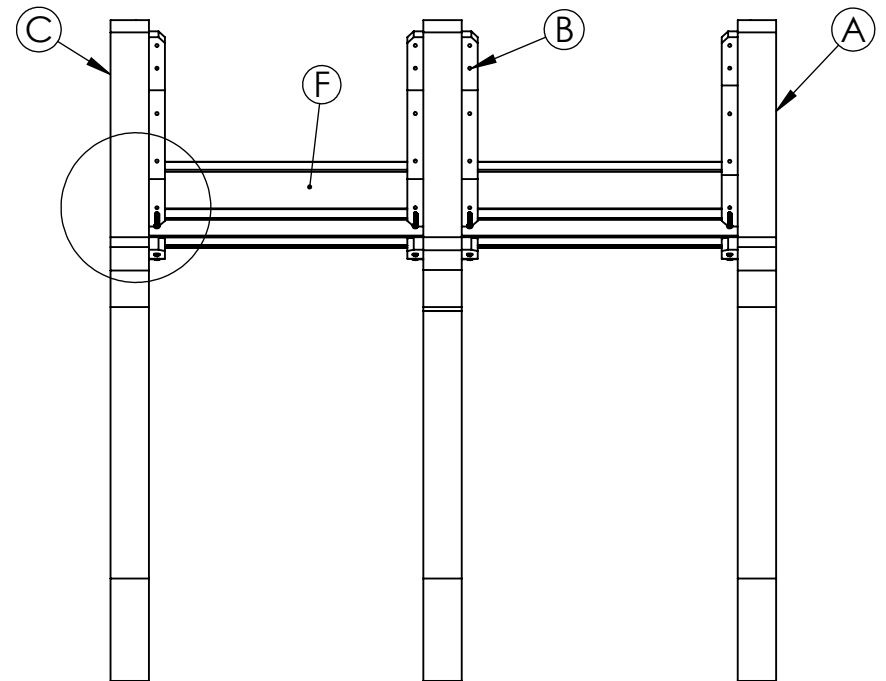
STEP 3 Seat Assembly

- With the bench still on its back, lay the Front/Top Plastic Seat Board (E) onto the Bench Ends (A,B,C)
- Align the marks in the Plastic Seat Board (E) with the predrilled holes in the Bench Ends (A,B,C)
- Secure the three Plastic Seat Boards (F) with the #12 x 2 screws (D) to the Bench Ends (A,B,C)



STEP 4 Back Assembly

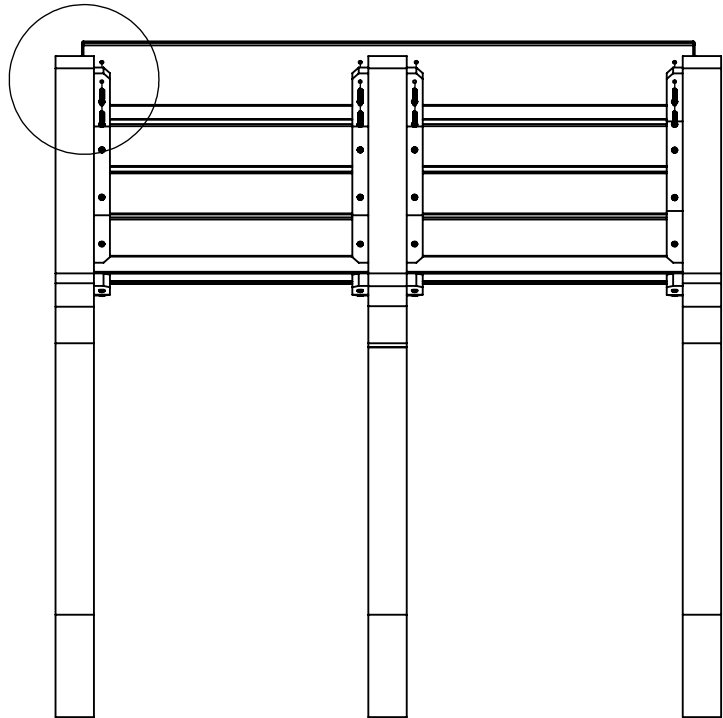
- Turn bench over
- Lay a Plastic Seat Board (F) over the bench ends (A,B,C) closest to the seat
- Align the marks in the Plastic Seat Board (F) with the predrilled holes in the Bench Ends (A,B,C)
- Secure the Plastic Seat Board (F) with the #12 x 2 screws (D)
- Repeat for 2 more Plastic Seat Boards (F) starting at the seat and working toward the top



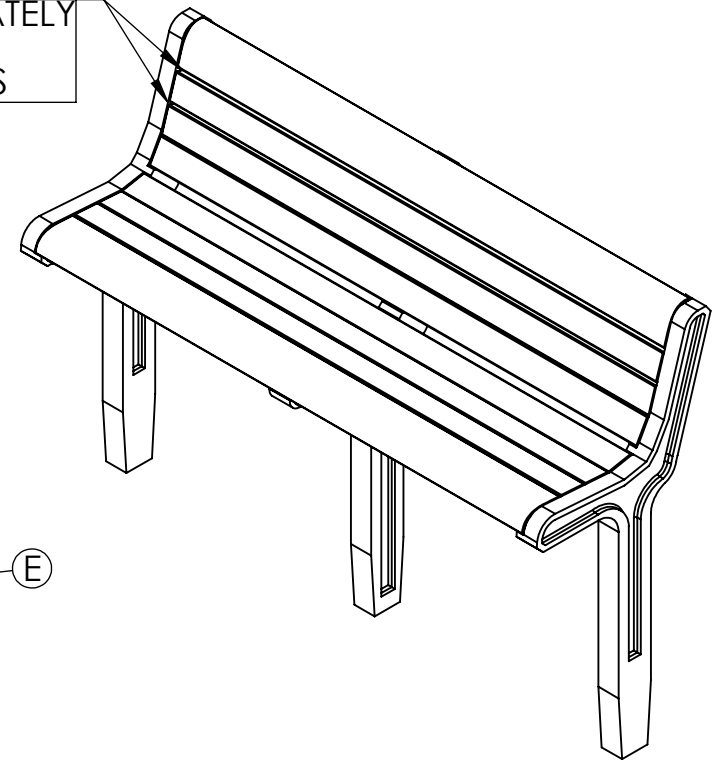
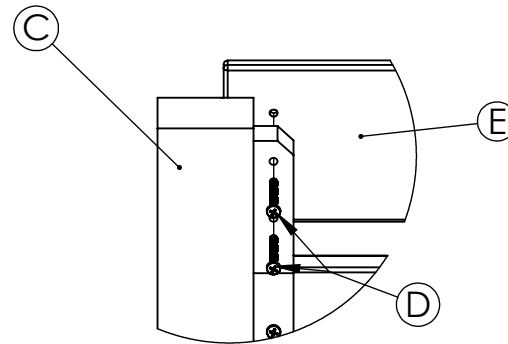
BENCH INSTRUCTIONS

STEP 5 Back Assembly

- Lay a Front/Top Plastic Seat Board (E) over the bench ends (A,B,C) at the top of the bench
- Align the marks in the Front/Top Plastic Seat Board (F) with the predrilled holes in the Bench Ends (A,B,C)
- Secure the Front/Top Plastic Seat Board (F) with the #12 x 2 screws (D)



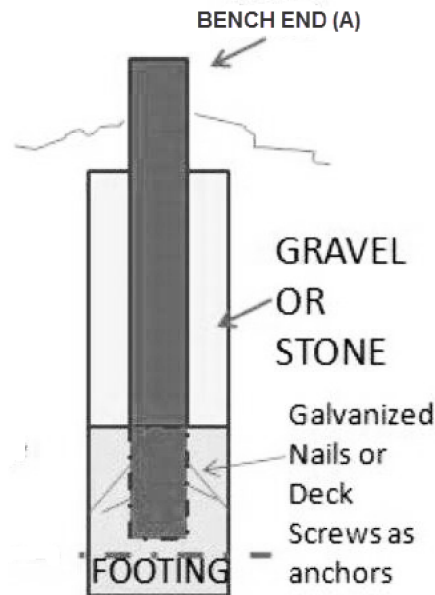
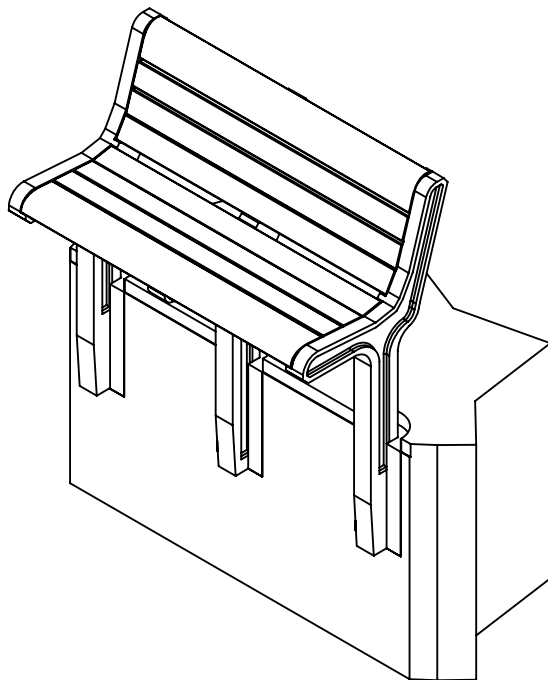
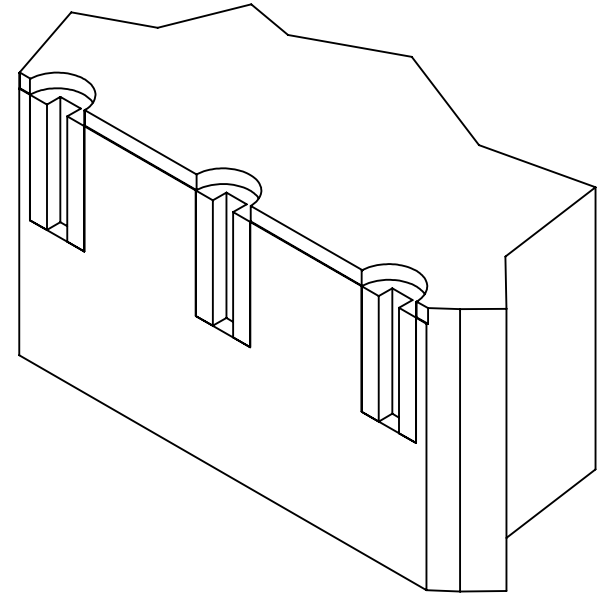
NOTE: THERE IS APPROXIMATELY A 0.5" GAP BETWEEN THE TOP THREE BOARDS



BENCH INSTRUCTIONS

STEP #6 INGROUND MOUNT

- Lay Bench Flat on the ground where it will be installed
- Dig three holes, approximately 8" in diameter to a depth of 18"



BENCH END (A) IN POURED CONCRETE FOOTING

STEP #7 INGROUND MOUNT

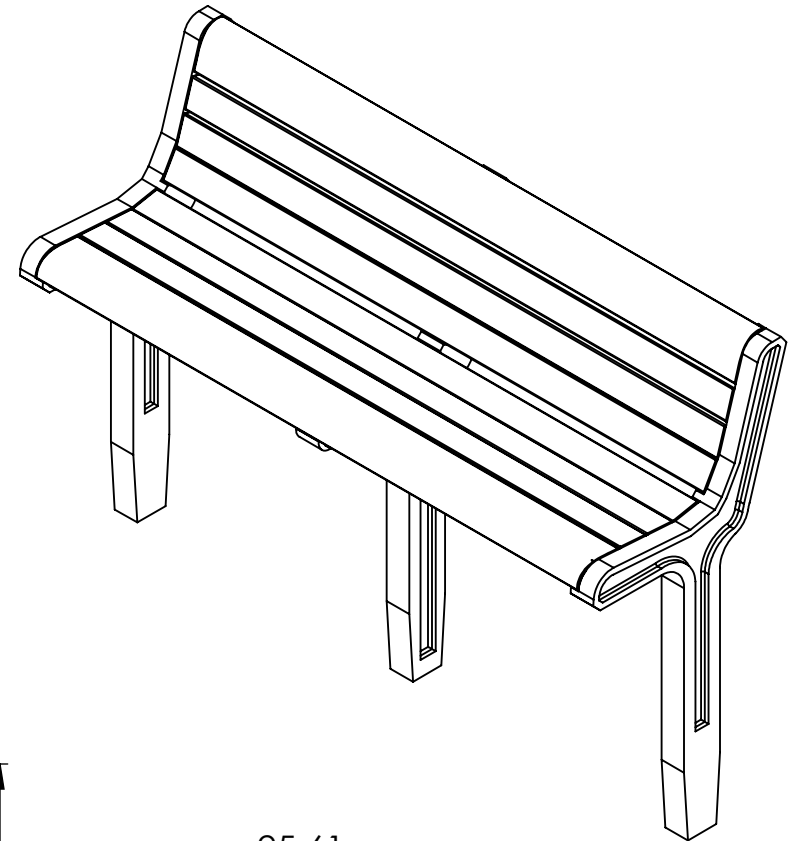
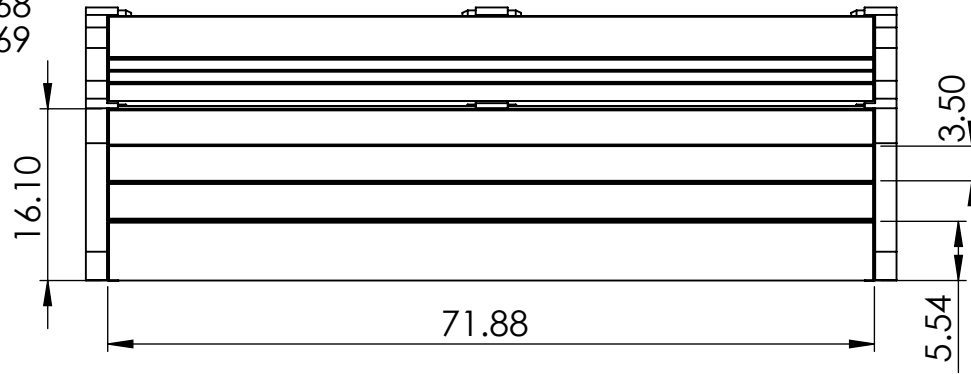
- Place Bench Ends (A) into holes
- Fill with Sakcrete to a level about 4" - 6" below ground level
- Use guide wire to secure until Sakcrete is dry
- Use a level to make sure Bench is square and level

BENCH SPECIFICATIONS

REV# 2
3/14/2018

BC2065
BC2066
BC2067
BC2068
BC2069

TOP



76.00

5.54

3.50

51.63

33.50

33.50

3.00

FRONT

CONSTRUCTION MATERIALS:
Recycled Plastic
HARDWARE:
Stainless Steel

25.61

33.00

17.58

SIDE

ALL DIMENSIONS ARE SHOWN IN INCHES