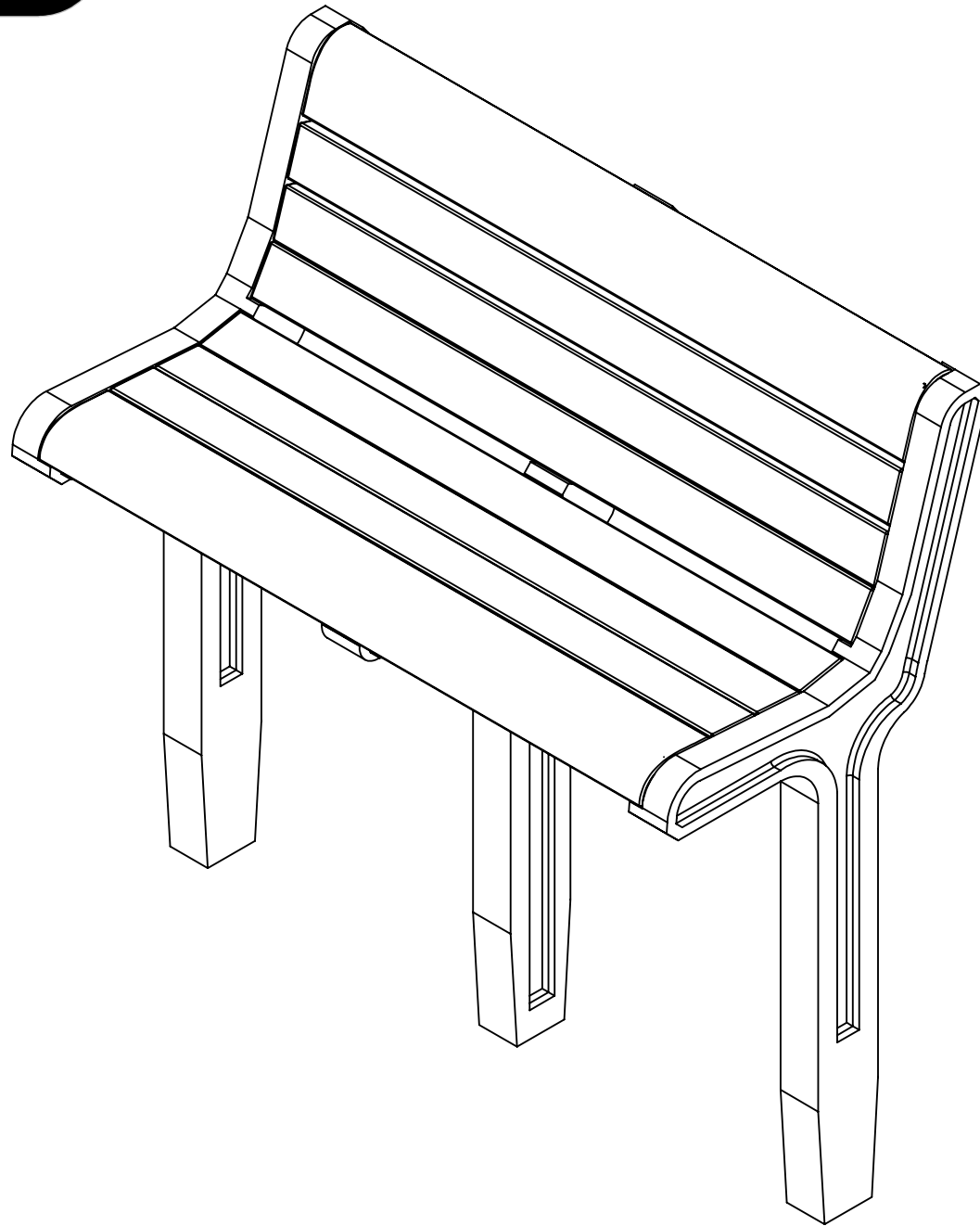


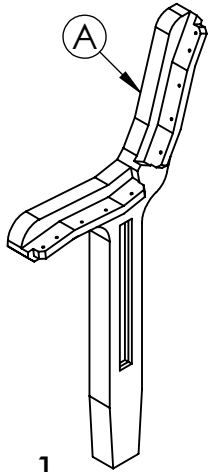
BENCH INSTRUCTIONS

BC2045
BC2046
BC2047
BC2048
BC2049

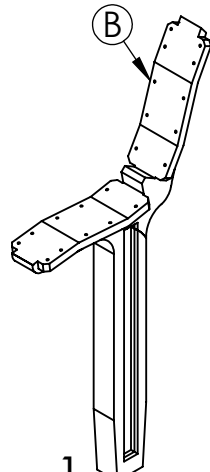
REV# 2
3/14/2018



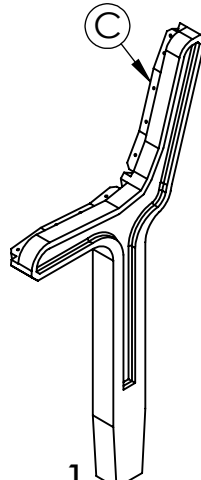
BENCH INSTRUCTIONS



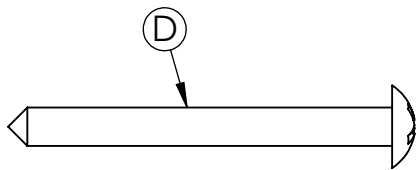
1
LEFT SIDE
BENCH END
PRI7213L



1
CENTER
BENCH END
PRI7213C



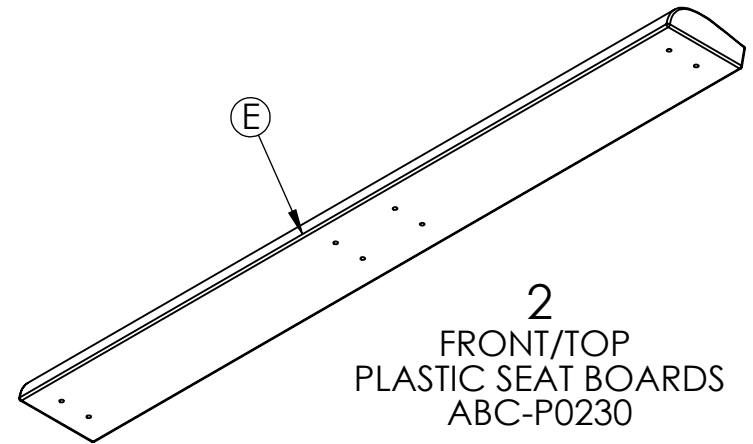
1
RIGHT SIDE
BENCH END
PRI7213R



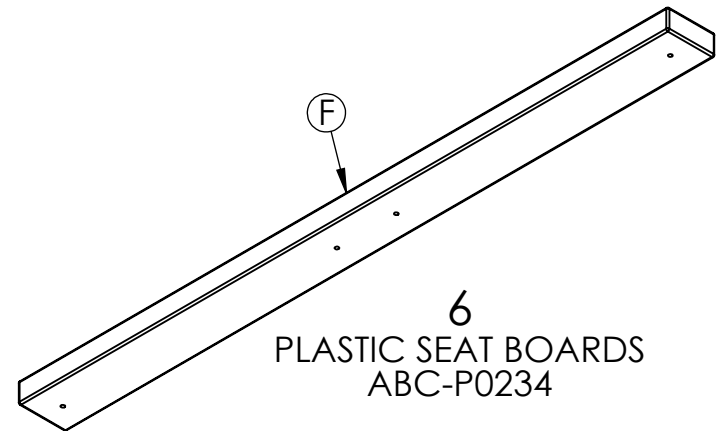
40
#12 X 2" PAN HEAD SCREWS
SMPP012C200A188

REQUIRED TOOLS (NOT INCLUDED)

- POWER DRILL
- #2 PHILLIPS BIT
- LEVEL
- SAKCRETE
- GUIDE WIRE / BRACING



2
FRONT/TOP
PLASTIC SEAT BOARDS
ABC-P0230



6
PLASTIC SEAT BOARDS
ABC-P0234

NOTE: IT IS IMPORTANT TO KEEP ALL SCREWS LOOSE DURING ASSEMBLY UNTIL ENTIRE BENCH IS ASSEMBLED

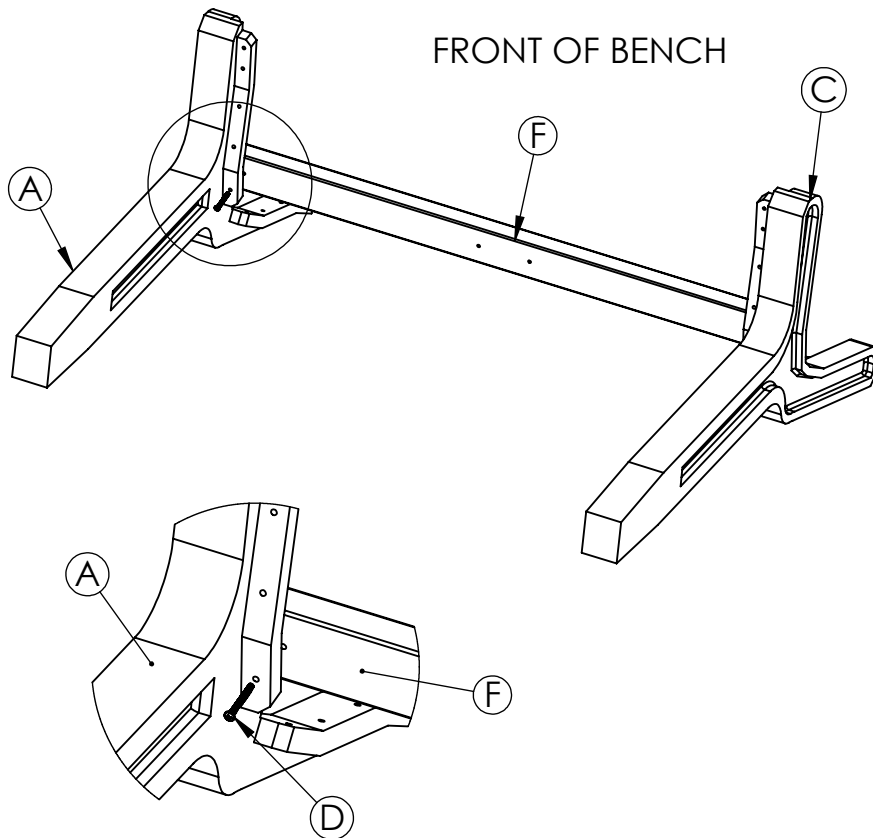
**HARDWARE &
TOOLS REQUIRED
FOR ASSEMBLY**

2/7

BENCH INSTRUCTIONS

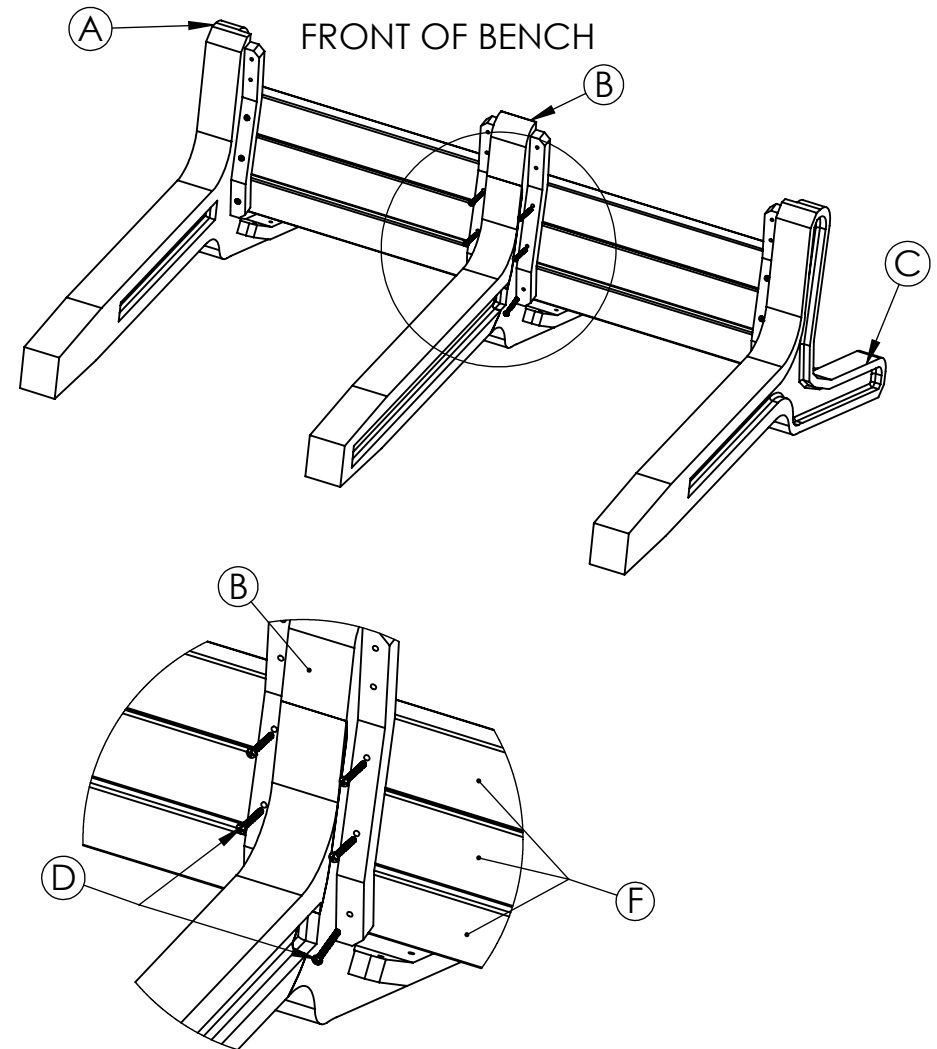
STEP 1 Seat Assembly

- Lay Left Bench End (A) and Right Bench End (C) on its back with the front legs pointing up
- Lay a Plastic Seat Board (F) over the bench ends (A & C) closest to the rear leg on the seat
- Align the marks in the Plastic Seat Board (F) with the predrilled holes in the Bench Ends (A & C)
- Secure the Plastic Seat Board (F) with the #12 x 2 screws (D)
- Repeat for 2 more Plastic Seat Boards (F) starting at the rear and working toward the front



STEP 2 Seat Assembly

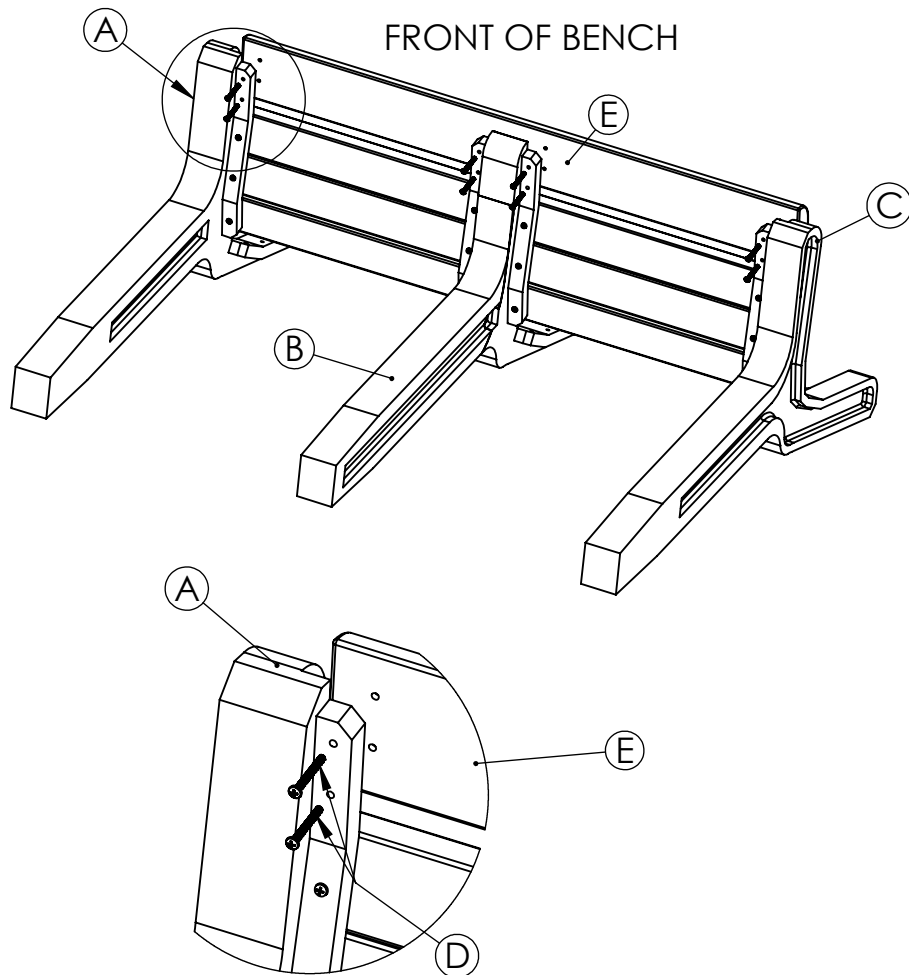
- With the bench still on its back, lay the Center Bench End (B) onto Plastic Seat Boards (F)
- Align the marks in the Plastic Seat Board (F) with the predrilled holes in the Center Bench End (B)
- Secure the three Plastic Seat Boards (F) with the #12 x 2 screws (D) to the Center Bench End (B)



BENCH INSTRUCTIONS

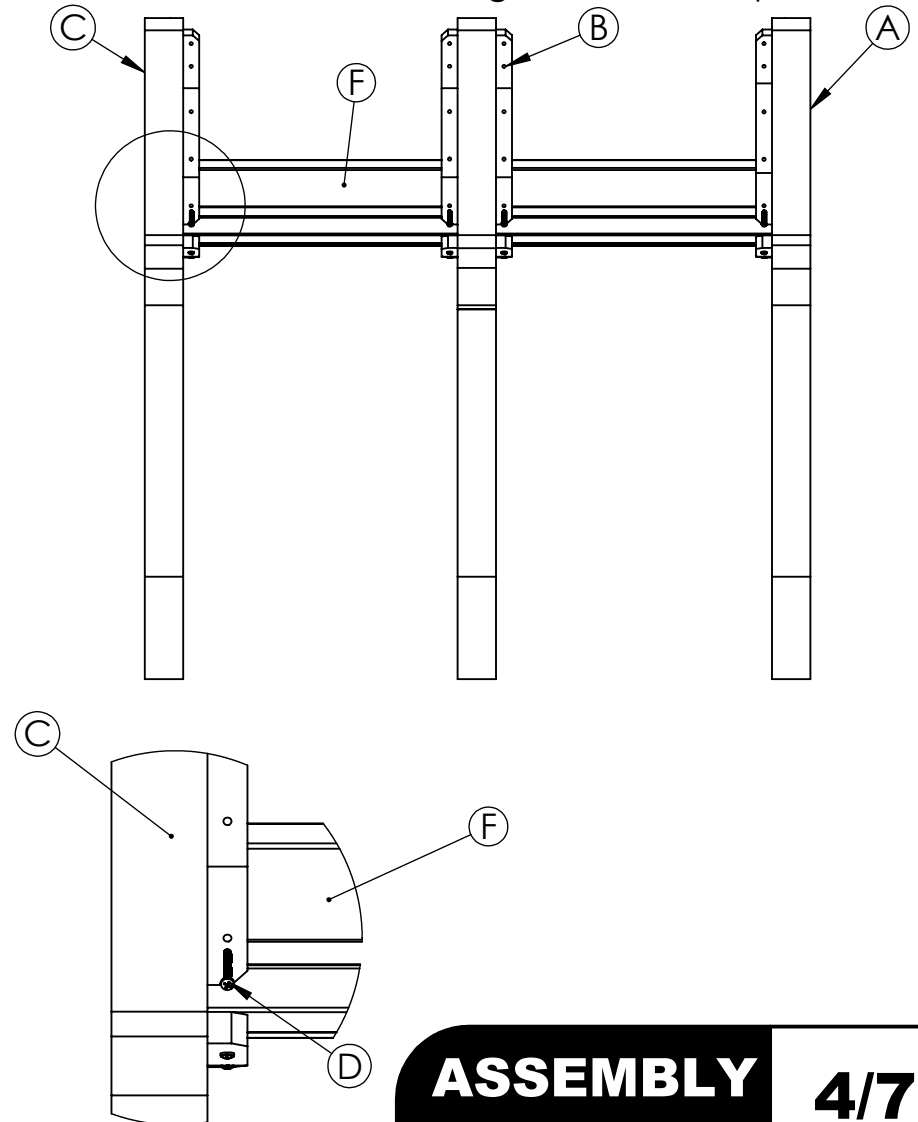
STEP 3 Seat Assembly

- With the bench still on its back, lay the Front/Top Plastic Seat Board (E) onto the Bench Ends (A,B,C)
- Align the marks in the Plastic Seat Board (E) with the predrilled holes in the Bench Ends (A,B,C)
- Secure the three Plastic Seat Boards (F) with the #12 x 2 screws (D) to the Bench Ends (A,B,C)



STEP 4 Back Assembly

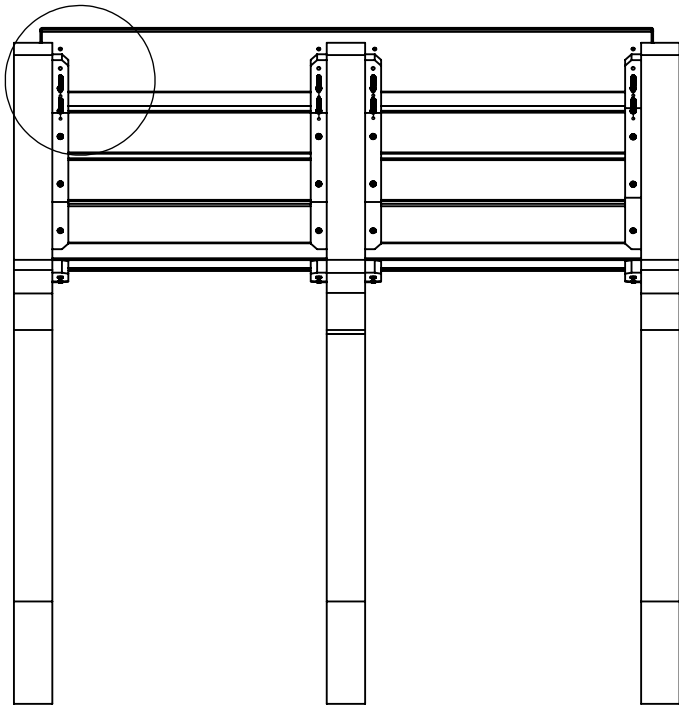
- Turn bench over
- Lay a Plastic Seat Board (F) over the bench ends (A,B,C) closest to the seat
- Align the marks in the Plastic Seat Board (F) with the predrilled holes in the Bench Ends (A,B,C)
- Secure the Plastic Seat Board (F) with the #12 x 2 screws (D)
- Repeat for 2 more Plastic Seat Boards (F) starting at the seat and working toward the top



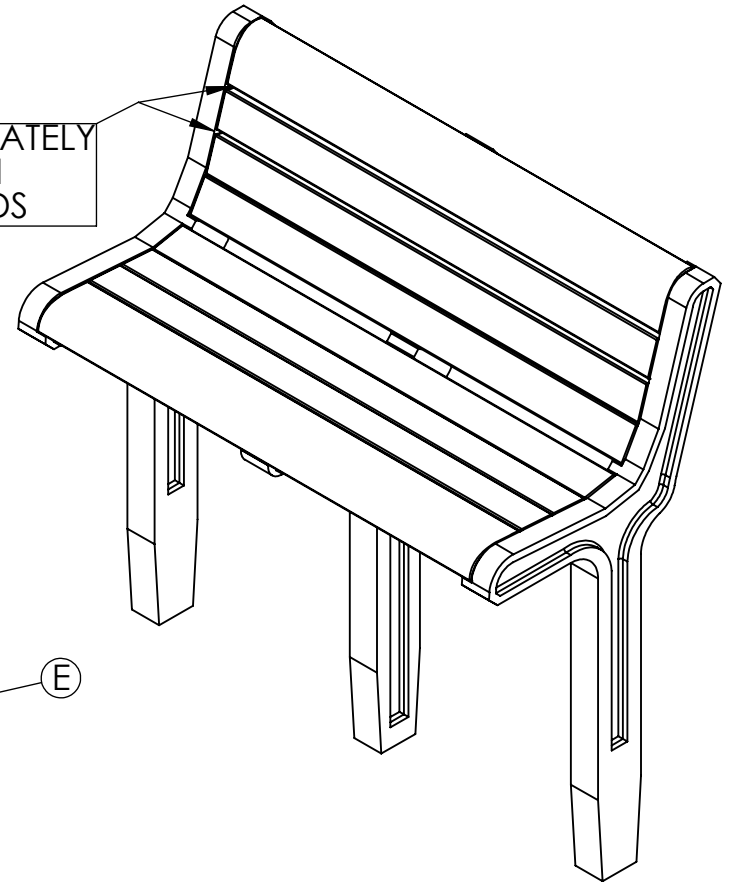
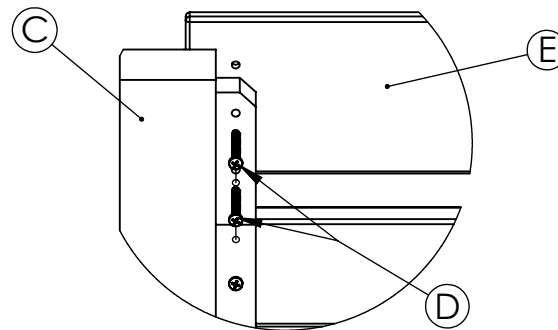
BENCH INSTRUCTIONS

STEP 5 Back Assembly

- Lay a Front/Top Plastic Seat Board (E) over the bench ends (A,B,C) at the top of the bench
- Align the marks in the Front/Top Plastic Seat Board (F) with the predrilled holes in the Bench Ends (A,B,C)
- Secure the Front/Top Plastic Seat Board (F) with the #12 x 2 screws (D)



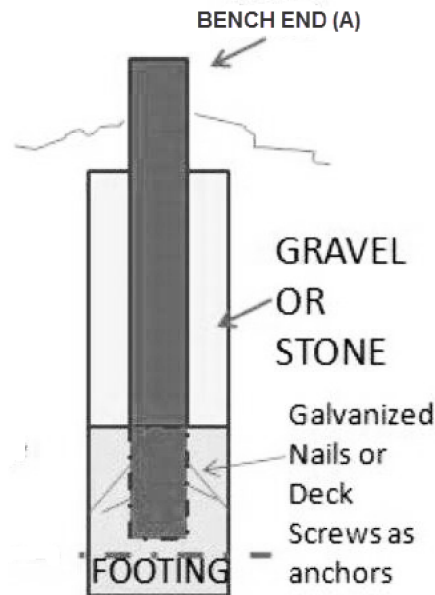
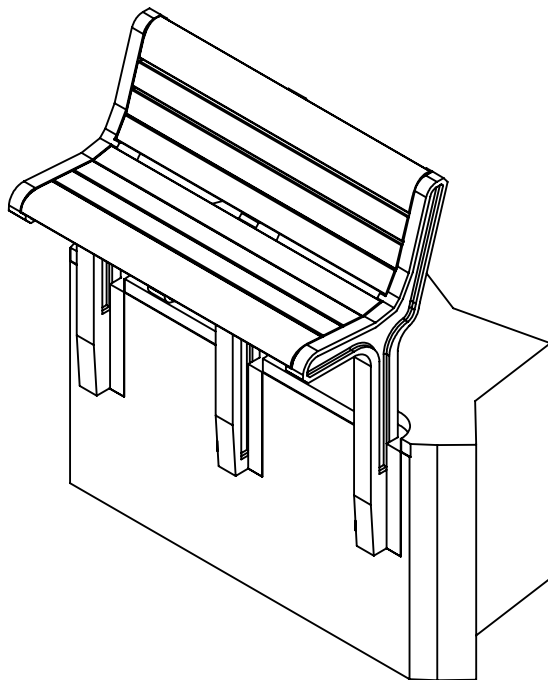
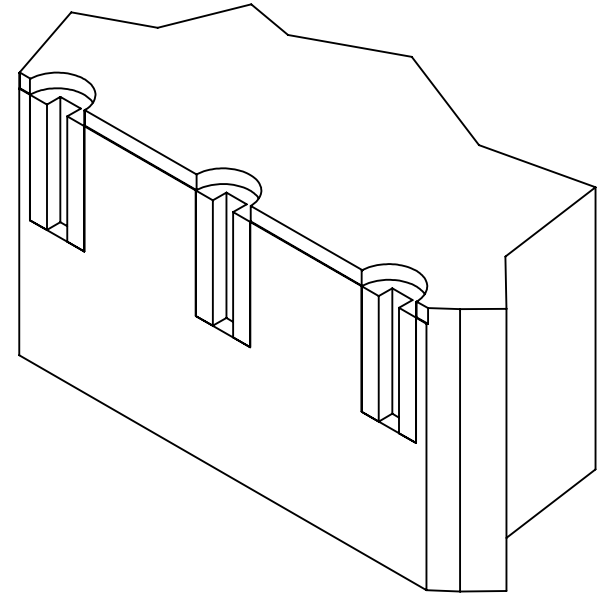
NOTE: THERE IS APPROXIMATELY
A 0.5" GAP BETWEEN
THE TOP THREE BOARDS



BENCH INSTRUCTIONS

STEP #6 INGROUND MOUNT

- A. Lay Bench Flat on the ground where it will be installed
- B. Dig three holes, approximately 8" in diameter to a depth of 18"



BENCH END (A) IN POURED CONCRETE FOOTING

STEP #7 INGROUND MOUNT

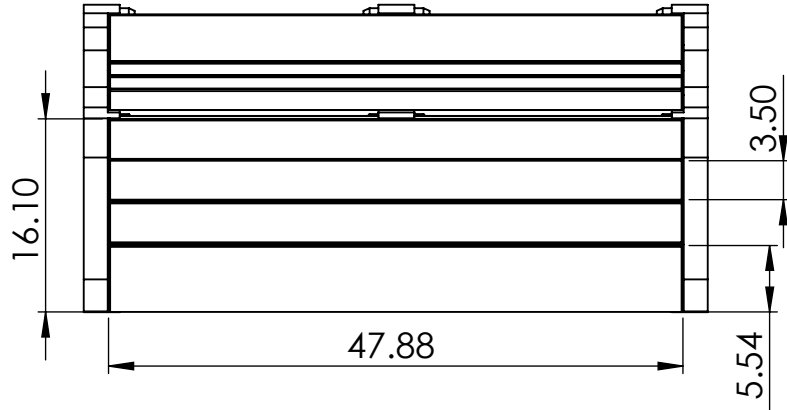
- A. Place Bench Ends (A) into holes
- B. Fill with Sakcrete to a level about 4" - 6" below ground level
- C. Use guide wire to secure until Sakcrete is dry
- D. Use a level to make sure Bench is square and level

BENCH SPECIFICATIONS

REV# 2
3/14/2018

BC2045
BC2046
BC2047
BC2048
BC2049

TOP



52.00

5.54

3.50

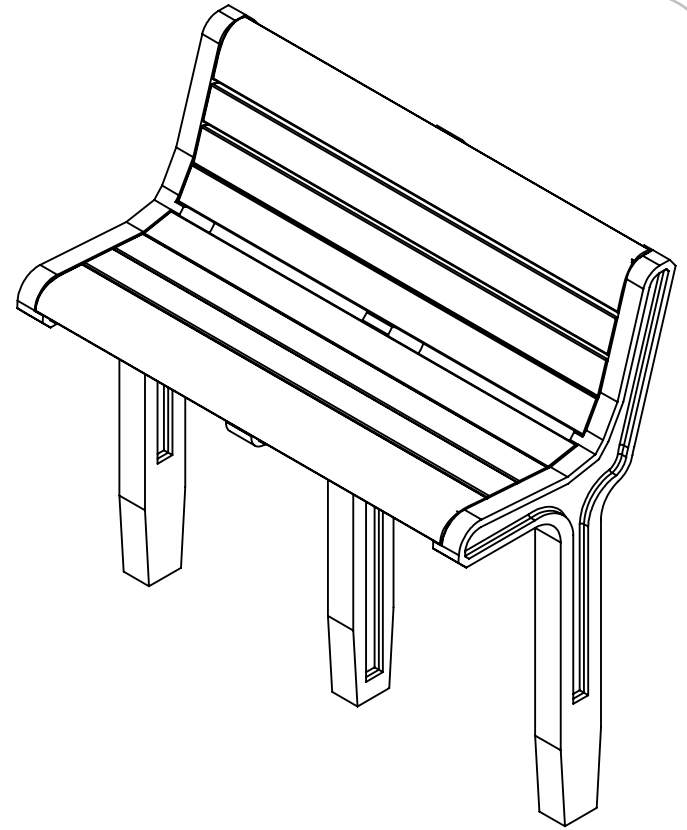
3.00

21.50

21.50

51.63

FRONT



25.61

33.00

17.58

SIDE

CONSTRUCTION MATERIALS:
Recycled Plastic
HARDWARE:
Stainless Steel

ALL DIMENSIONS ARE SHOWN IN INCHES