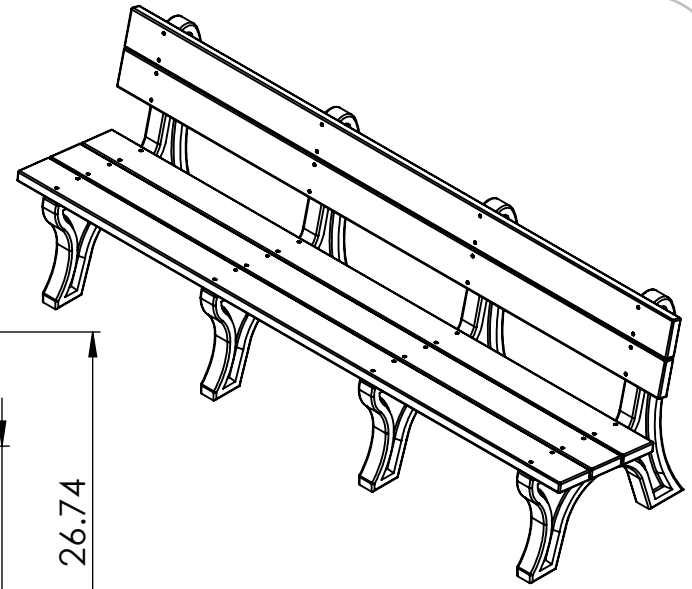
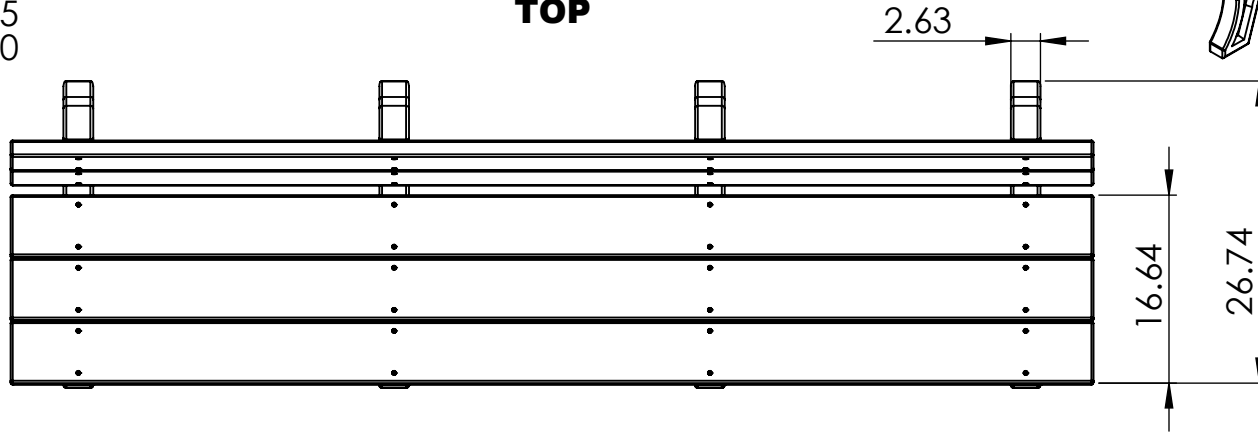


# BENCH SPECIFICATIONS

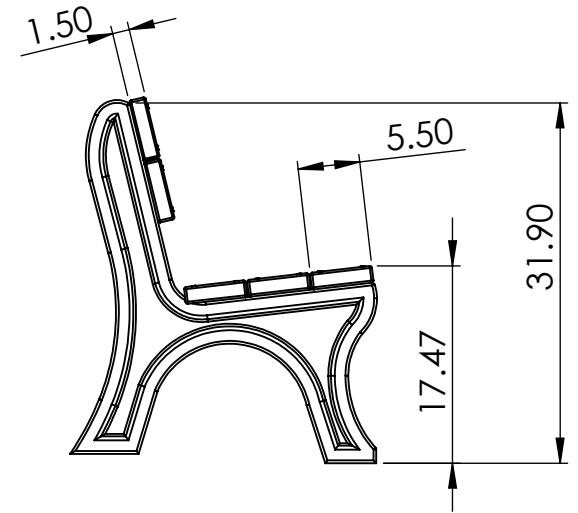
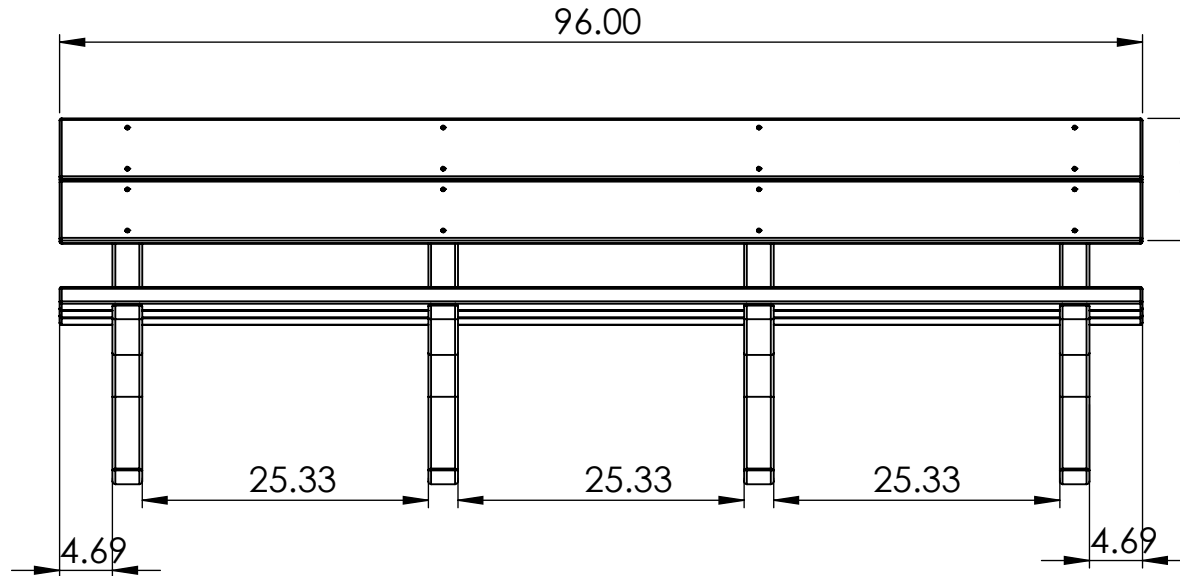
REV# 3  
1/22/2018

BC1475  
BC1495  
BC1500  
BC1515  
BC1520

**TOP**



**FRONT**



**SIDE**

**CONSTRUCTION MATERIALS:**  
Recycled Plastic  
**HARDWARE:**  
Stainless Steel

ALL DIMENSIONS ARE SHOWN IN INCHES