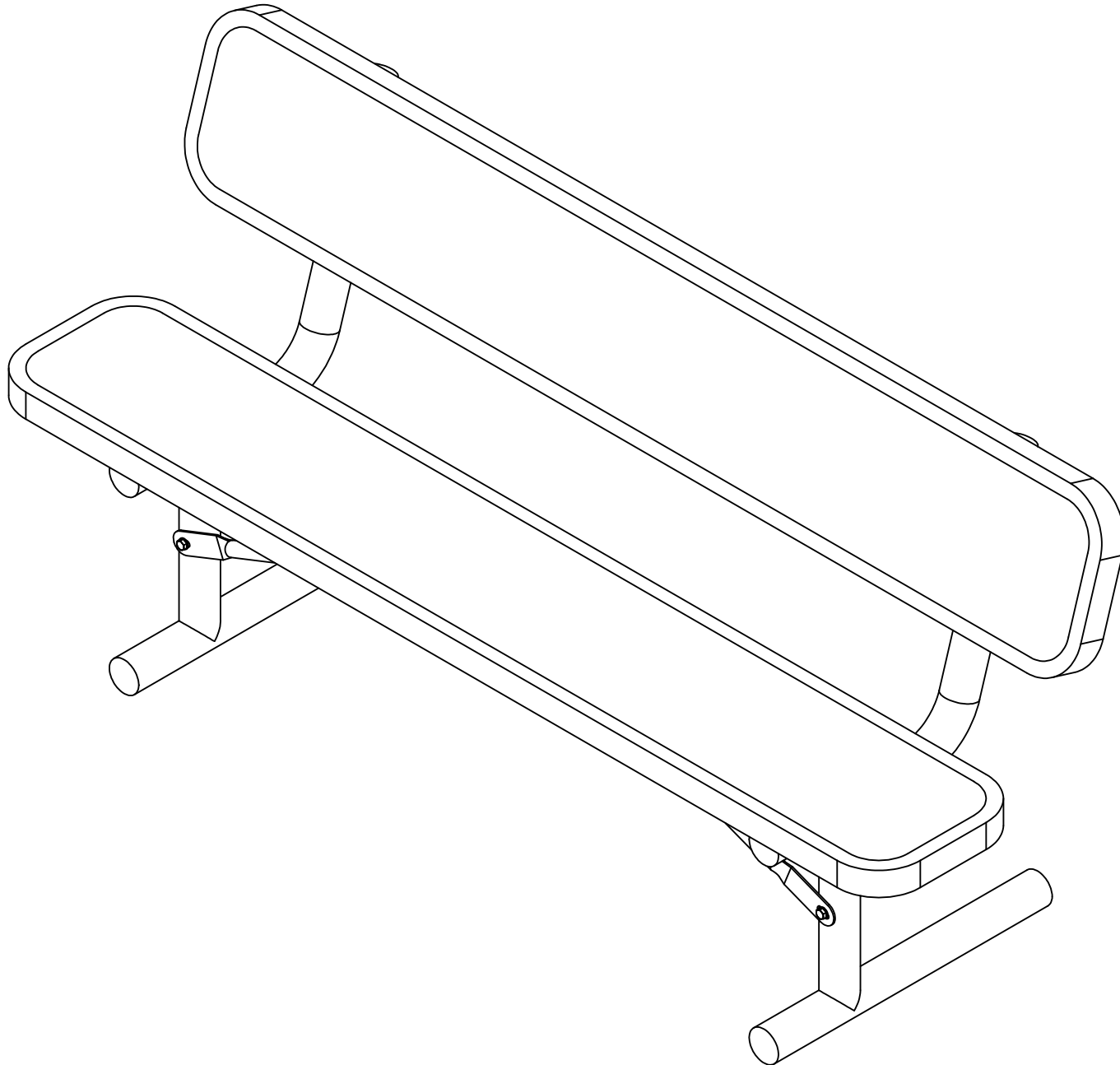
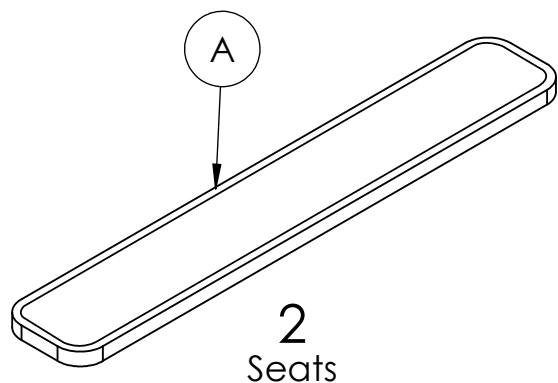


# INSTRUCTIONS

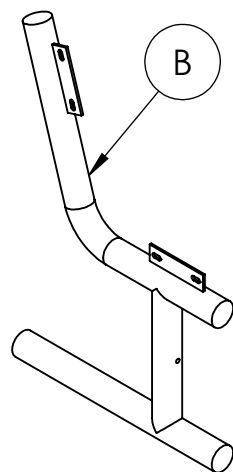
6 FT & 8 FT Portable Benches



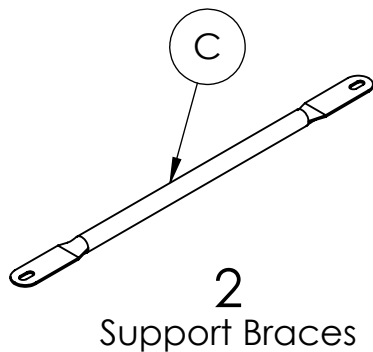
# INSTRUCTIONS



2  
Seats

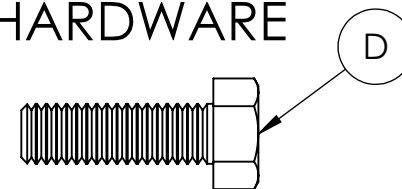


2  
Bench Ends

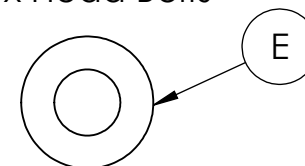


2  
Support Braces

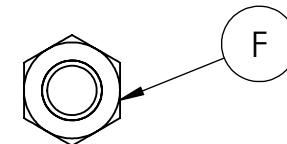
## HARDWARE



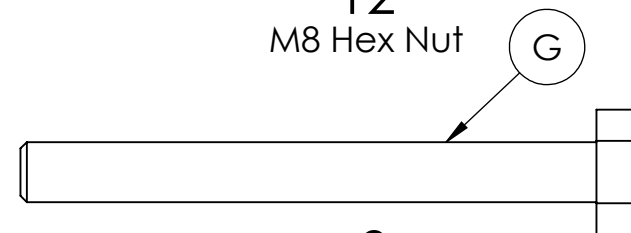
10  
M8 x 25  
Hex Head Bolts



22  
M8 Flat Washer



12  
M8 Hex Nut



2  
M8 x 75  
Hex Head Bolts

**REQUIRED TOOLS  
(NOT INCLUDED)**  
1 - 13MM WRENCH  
1 - 13MM SOCKET

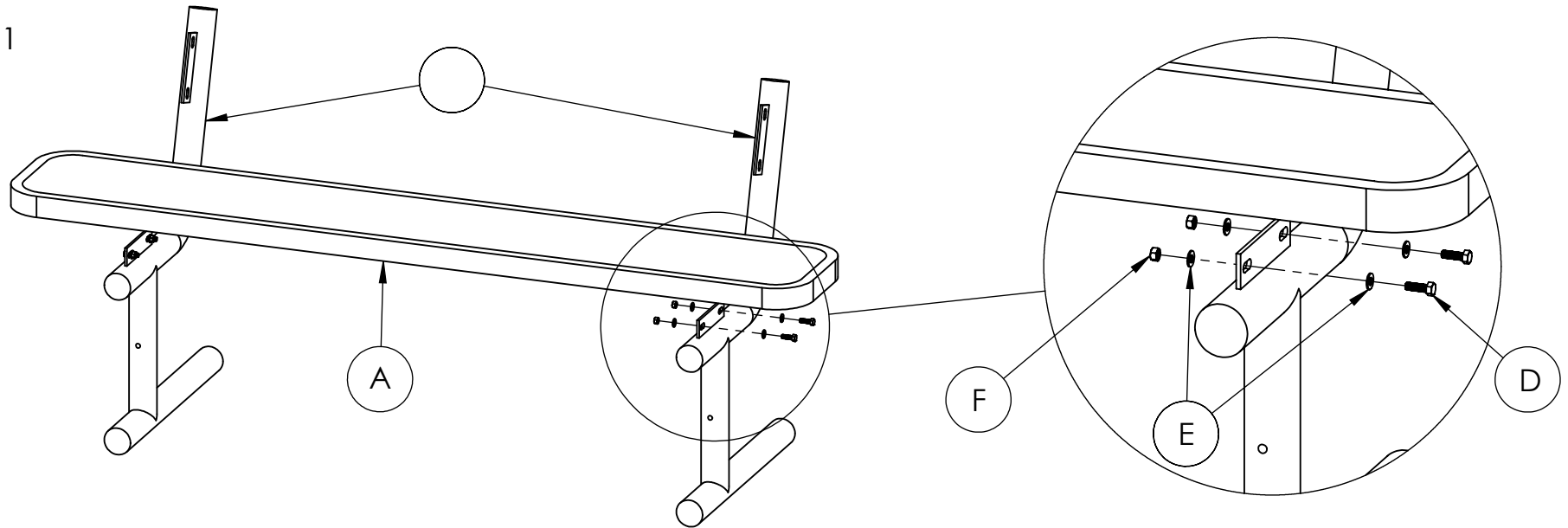
**NOTE: IT IS IMPORTANT TO KEEP ALL BOLTS FINGER TIGHT DURING ASSEMBLY UNTIL ENTIRE UNIT IS ASSEMBLED**

**HARDWARE &  
TOOLS REQUIRED  
FOR ASSEMBLY**

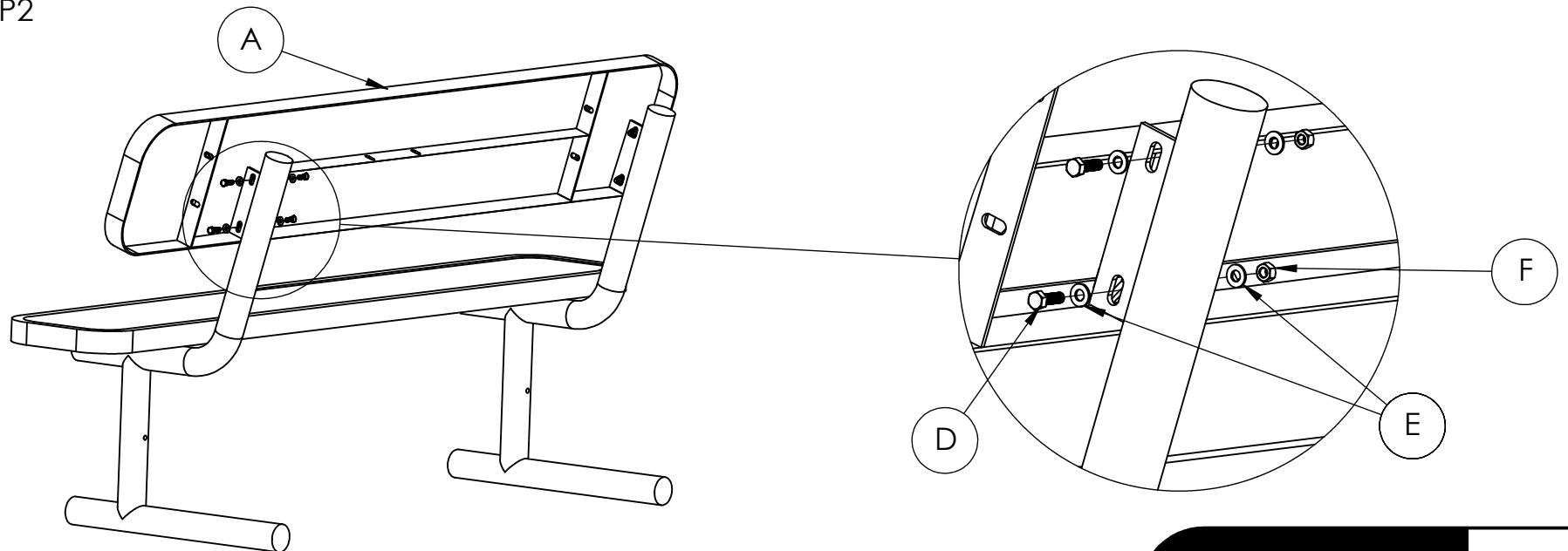
**2/4**

# INSTRUCTIONS

STEP 1



STEP 2

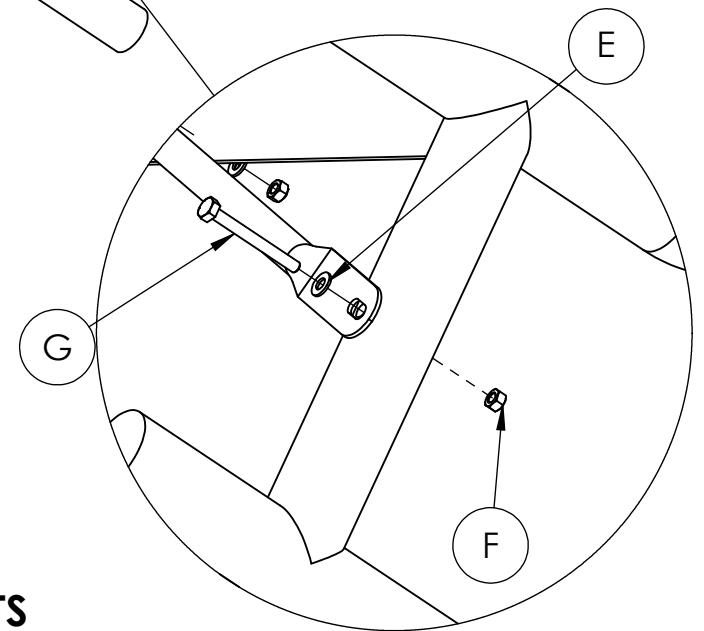
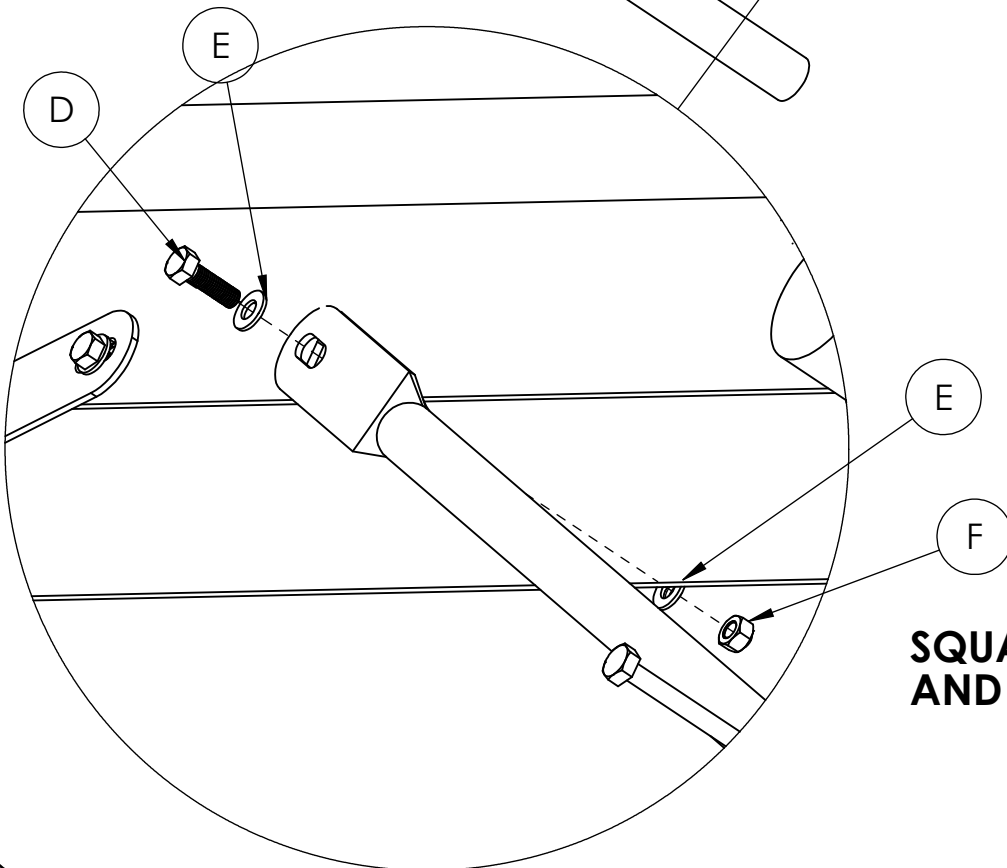
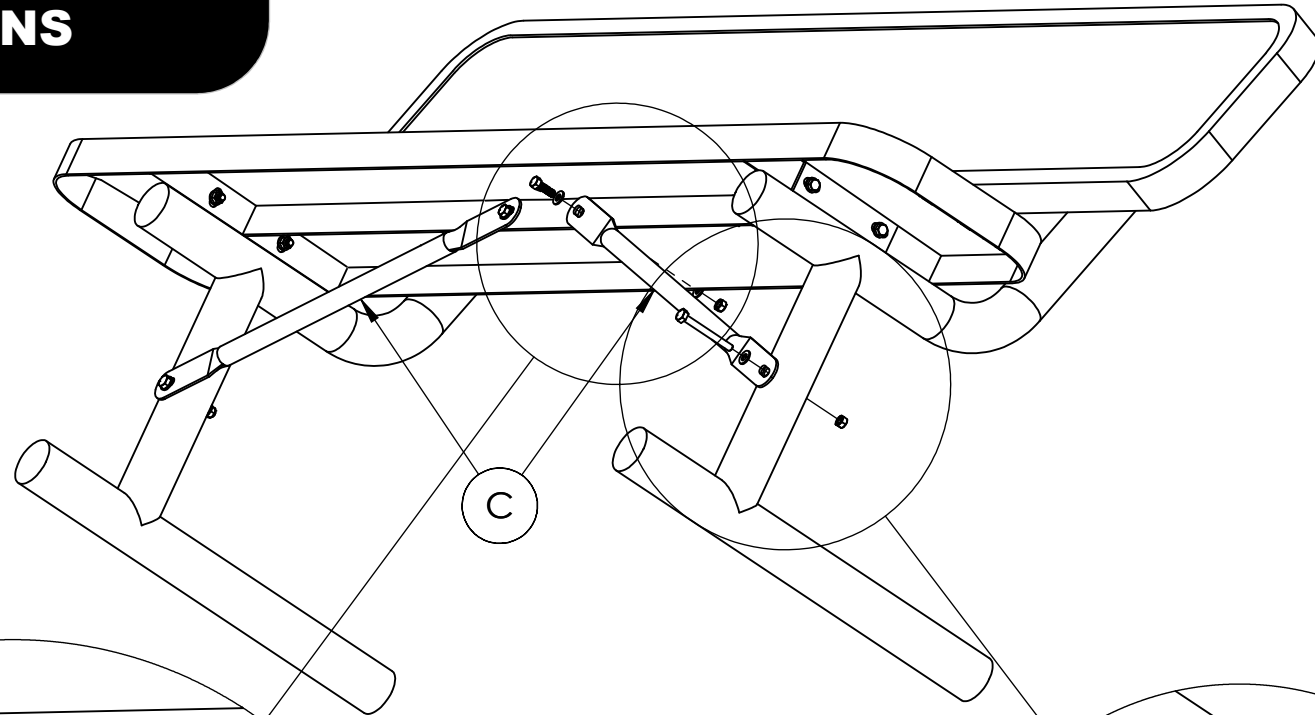


**ATTACH SEATS  
TO BENCH ENDS**

**3/4**

# INSTRUCTIONS

STEP 3



**SQUARE ALL PARTS  
AND TIGHTEN ALL HARDWARE**

**ATTACH  
ANGLED  
SUPPORTS**

**4/4**