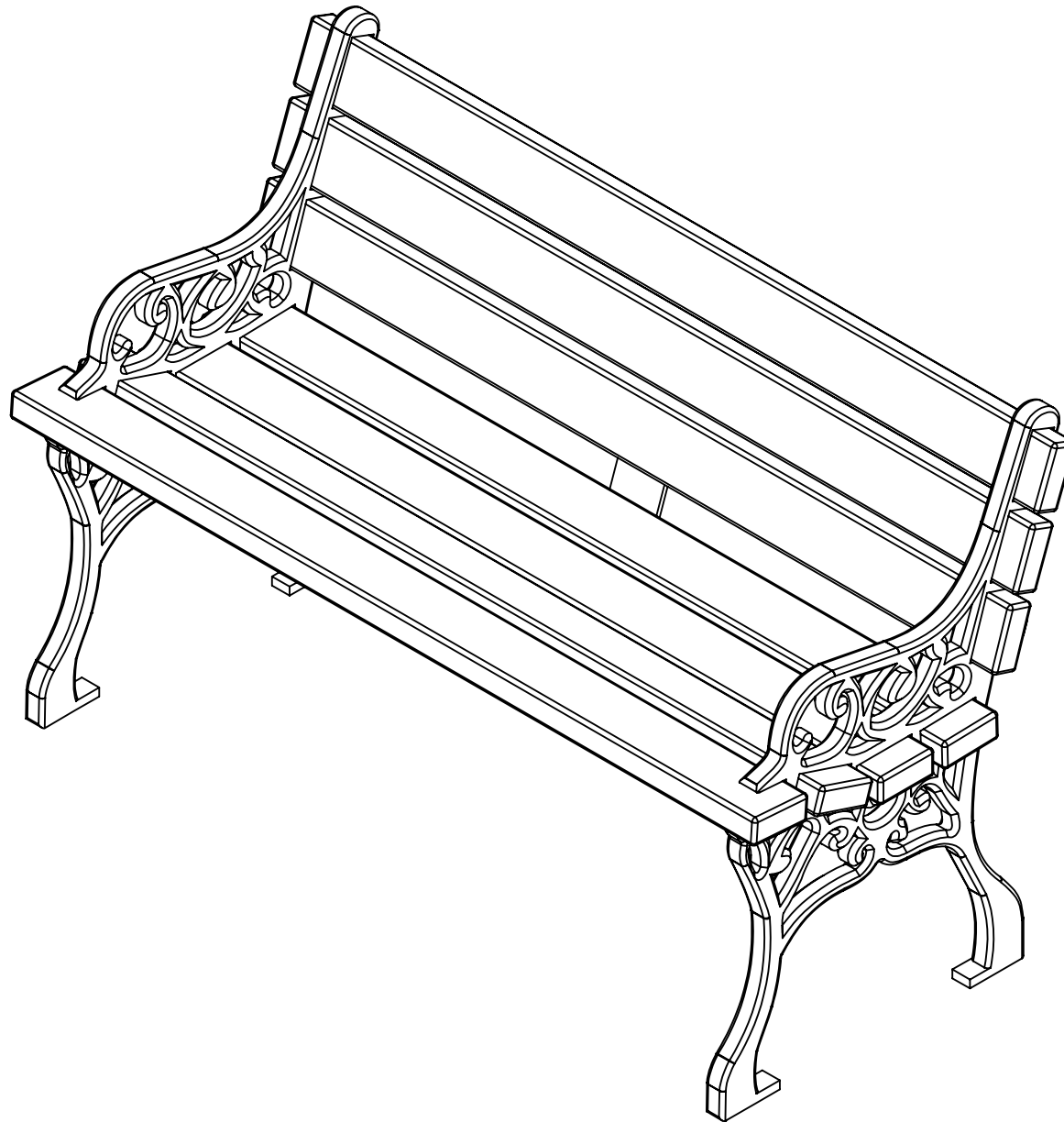


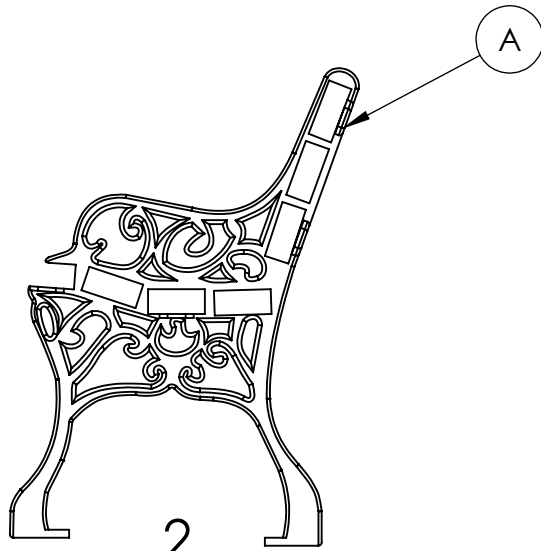
4FT BENCH INSTRUCTIONS

BC1180
BC1196
BC1197
BC1198
BC1801
BC1802
BC1803

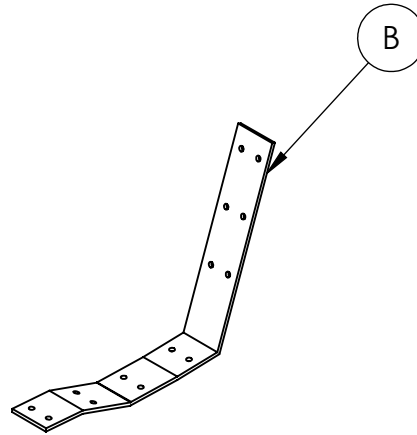
REV# 5
1/24/2018



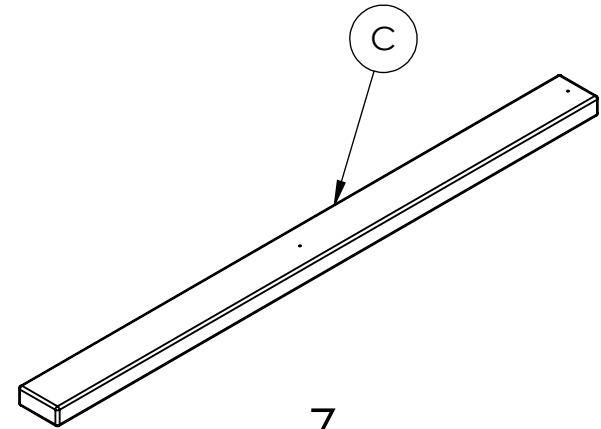
4FT BENCH INSTRUCTIONS



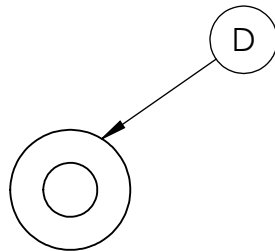
2
Bench Ends
LJM1000



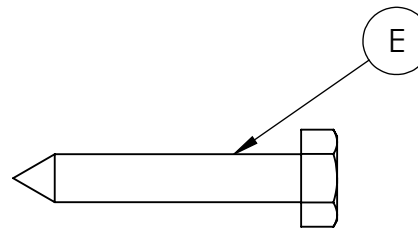
1
Support Bracket
SSI1000



7
Seat Slats
ABC-P0123



21
1/4" FLAT WASHER



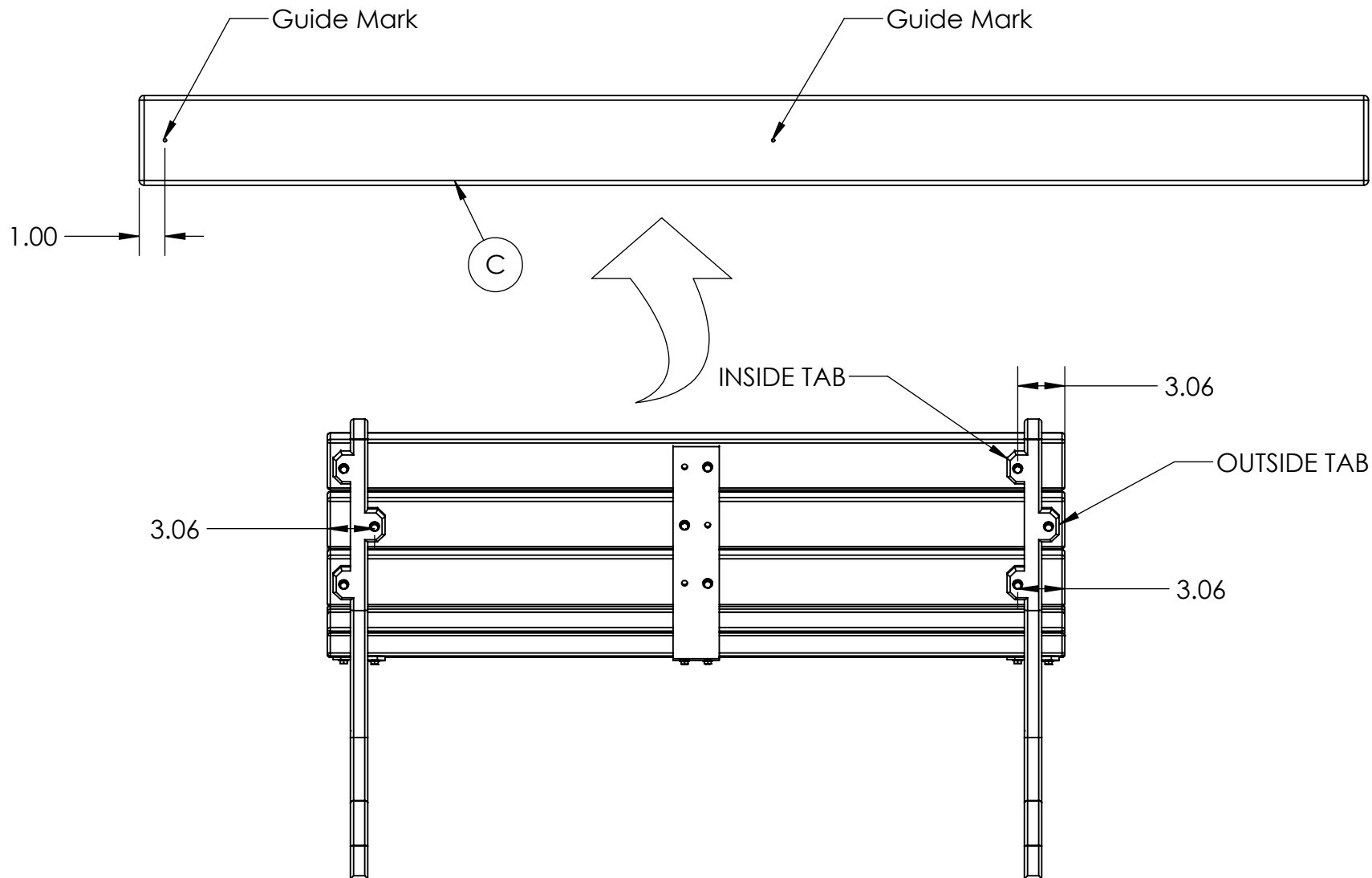
21
1/4" X 1.50" LAG SCREW

REQUIRED TOOLS:
-(1) 7/16" SOCKET
-(1) 90° SQUARE

NOTE: It is important to keep all hardware
finger tight until assembly is complete

**INCLUDED HARDWARE &
REQUIRED TOOLS FOR
ASSEMBLY**

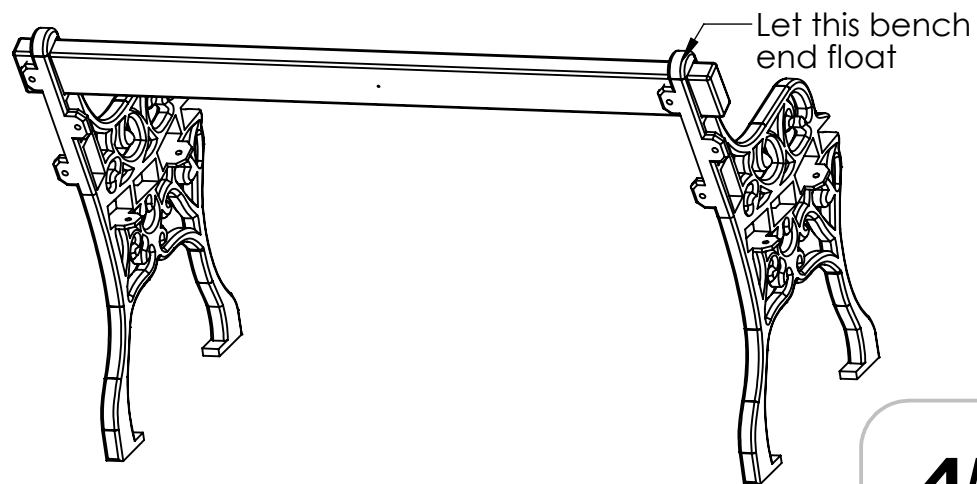
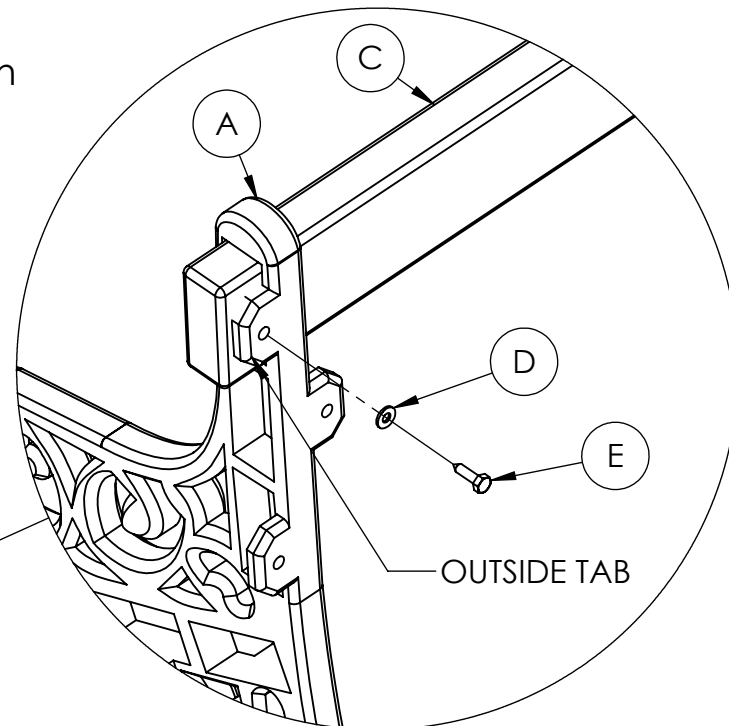
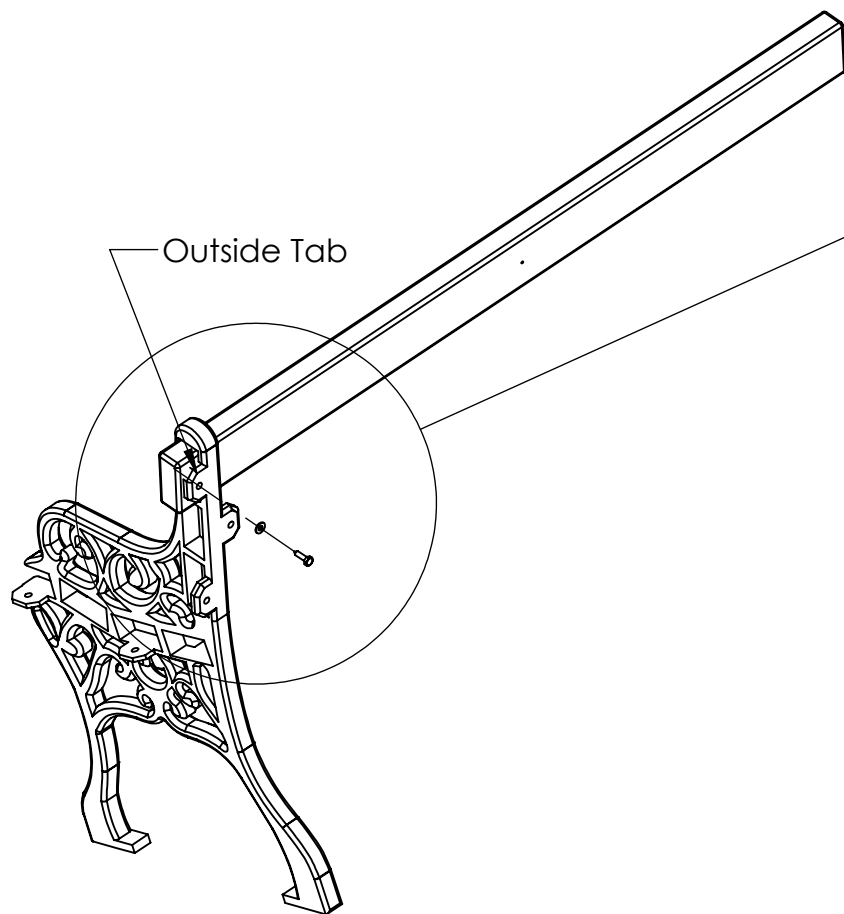
4FT BENCH INSTRUCTIONS



4FT BENCH INSTRUCTIONS

Step 1

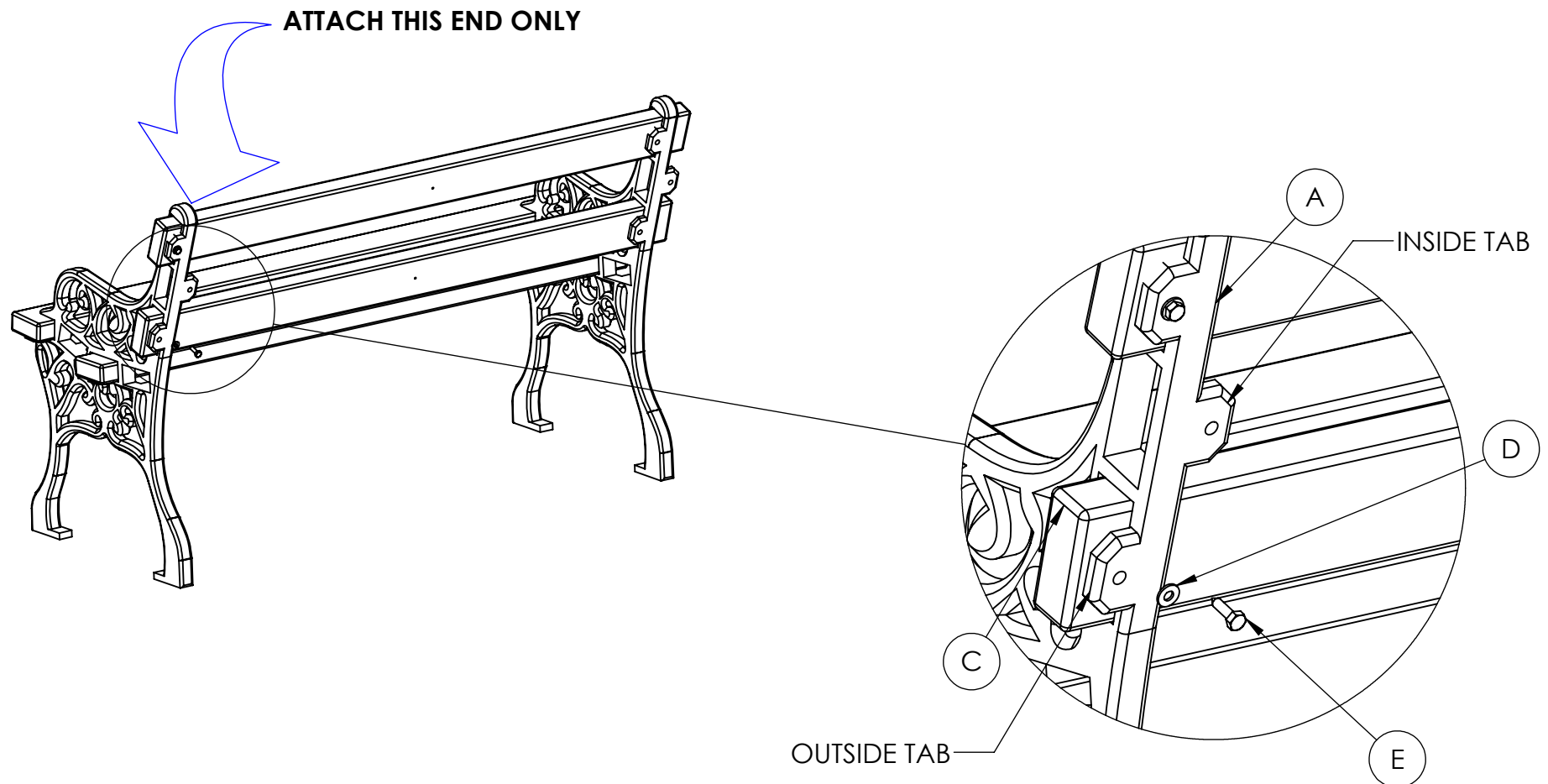
- Insert board (C) into the pocket of bench end (A) with the 1" guide mark aligned with the outside tab
- Only insert the lag screw on one bench end in the 1" guide mark
- Ignore the 3" mark on the opposite end if there is one
- Do not fully tighten any hardware yet



4FT BENCH INSTRUCTIONS

Step 2

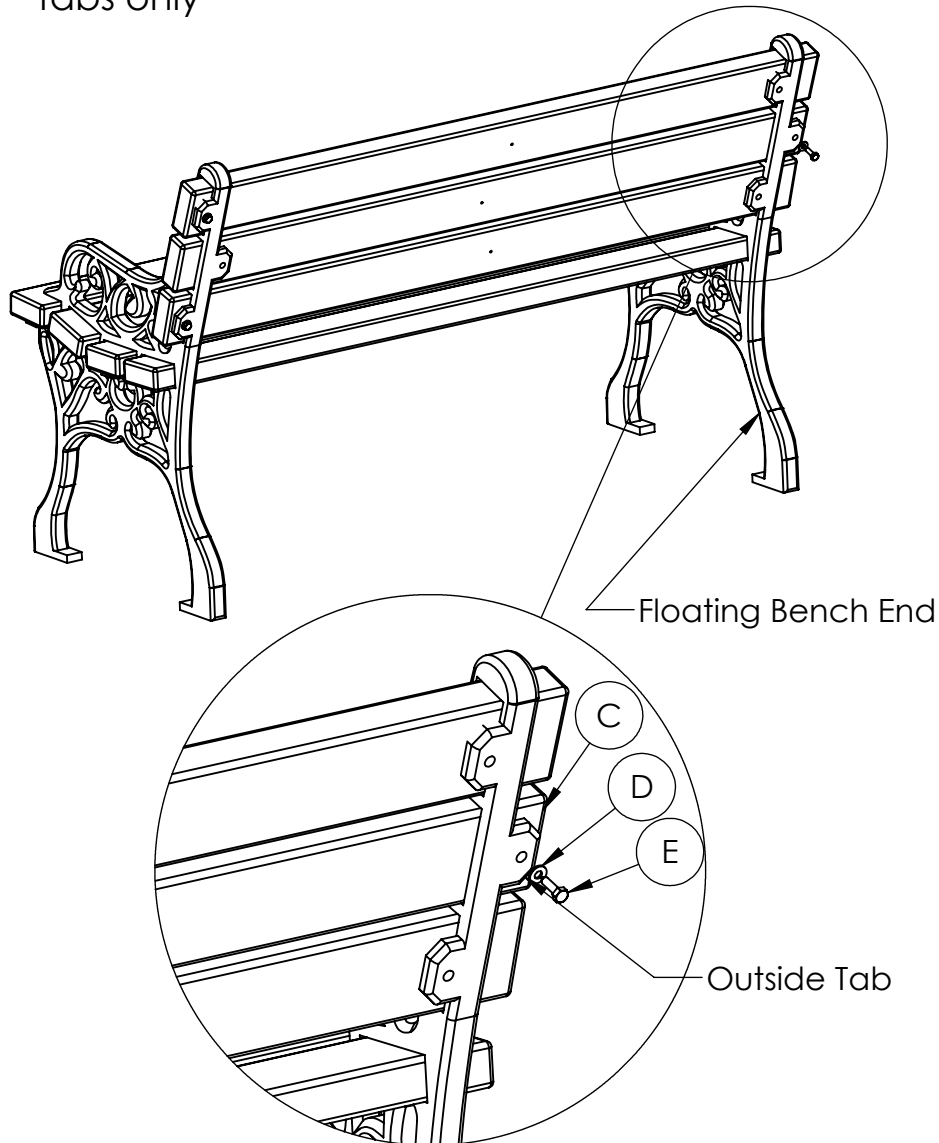
- Insert 3 more boards (C) into the pockets of the bench ends (A)
- Align the 1" guide marks with the outside tabs
- Insert lags screws (E) with washers (D) into the 1" guide mark only using the same bench end as Step 1



4FT BENCH INSTRUCTIONS

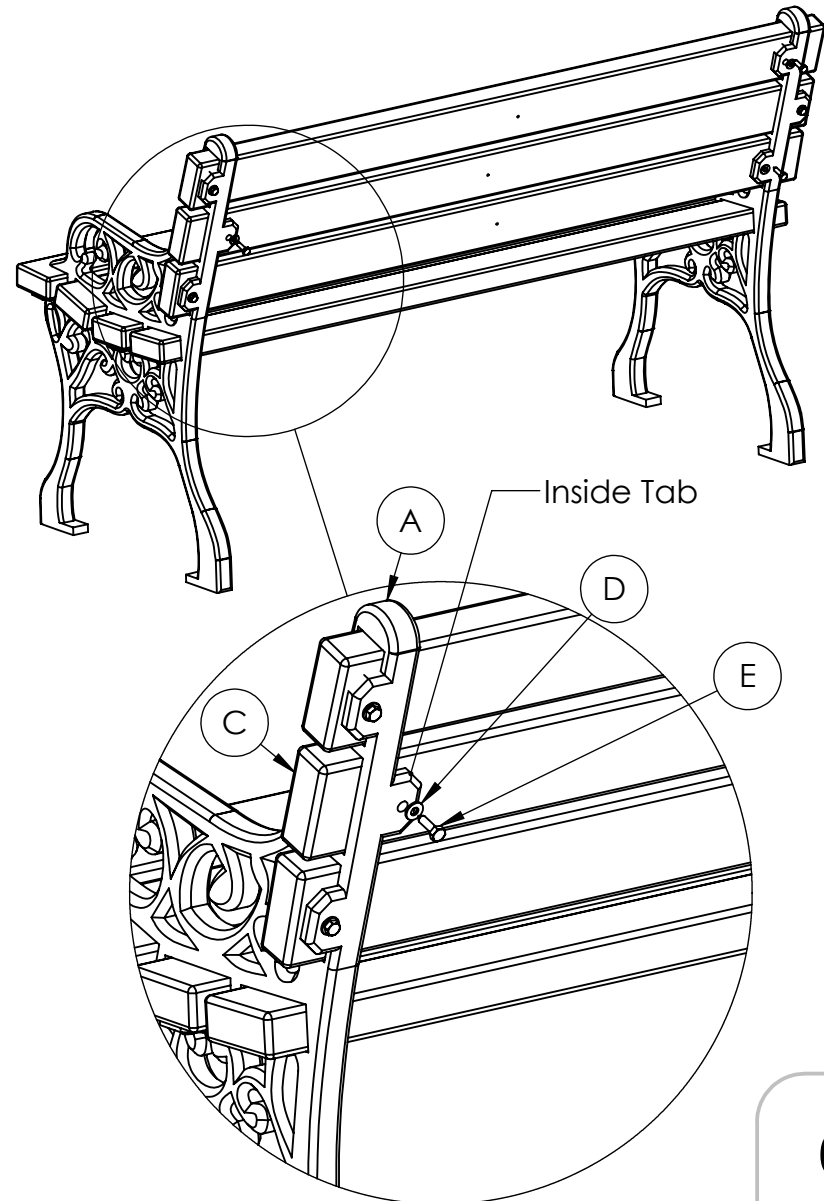
Step 3

- Insert the remaining boards (C) into the pockets of the bench ends aligned to the 1" guide mark with the outside tab on the floating bench end
- Insert lag screws (E) with washers (D) in the outside tabs only



Step 4

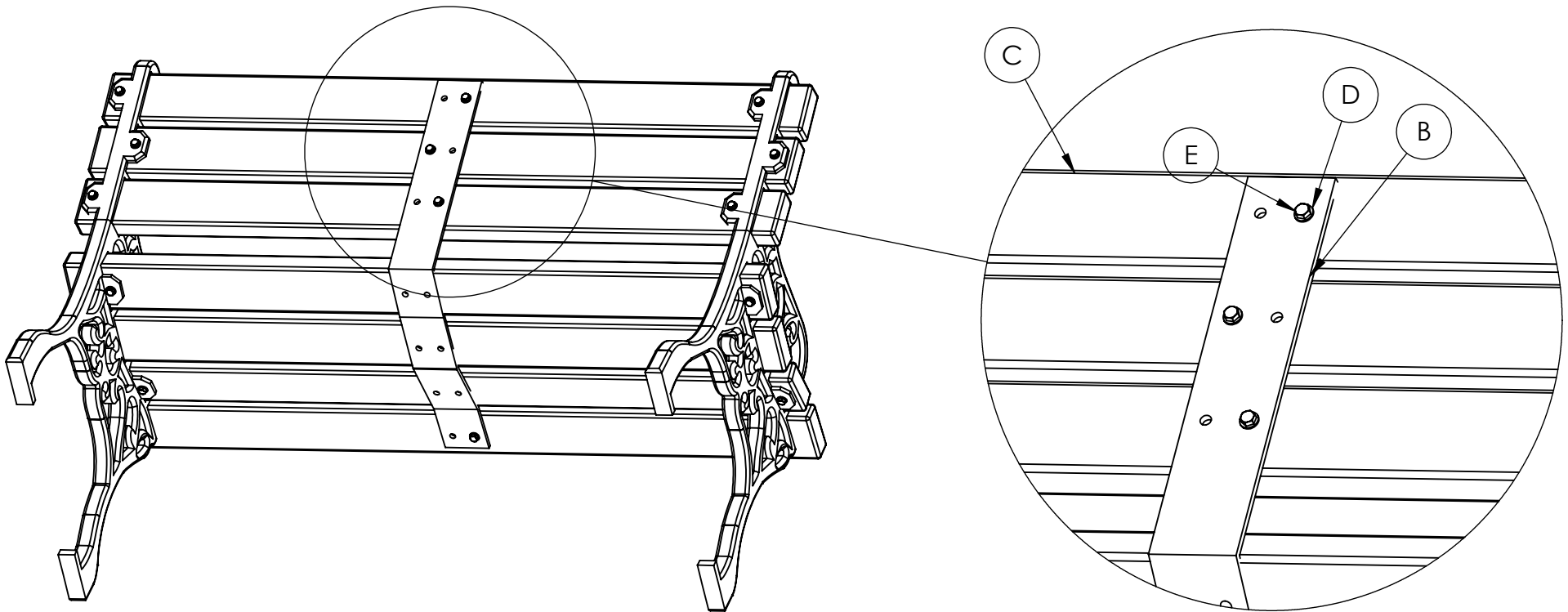
- Square the boards to each other and to the bench ends
- Fully tighten all the lag screws in the outside tabs
- Insert lag screws (E) with washers (D) in all of the inside tabs on the bench ends (A)
- Ensure that all of the boards (C) are aligned flush and square, then tighten all lag screws (E)



4FT BENCH INSTRUCTIONS

Step 5

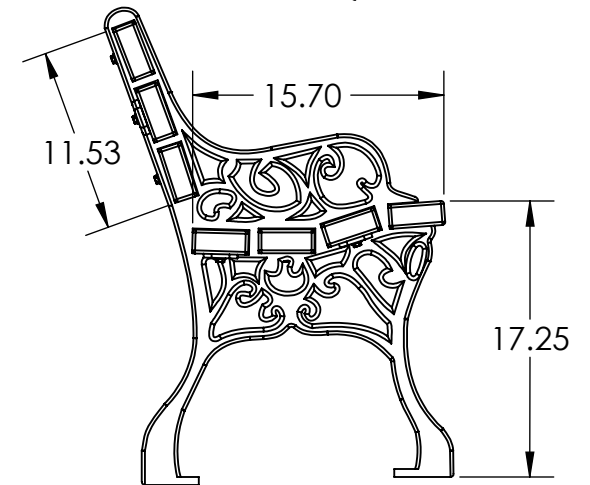
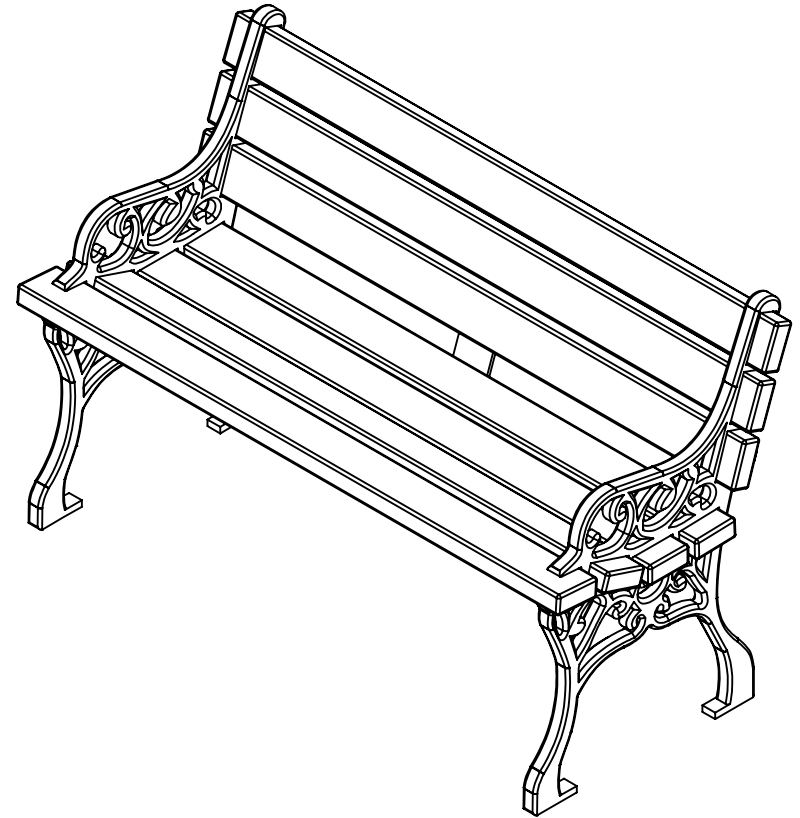
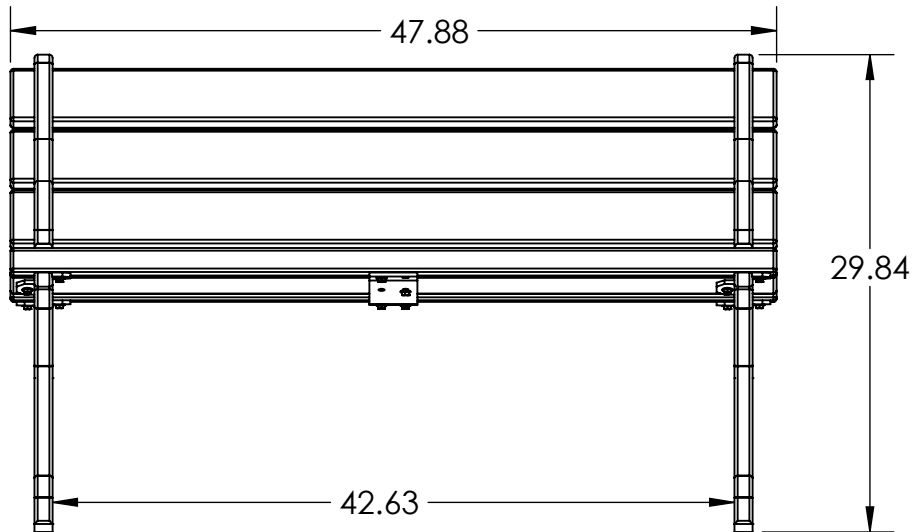
- Tip the bench forward on a soft clean surface
- Place the center bracket (B) on the back of the bench
- Find a guide mark that matches the center bracket (B) (Some guide marks may not line up)
- Insert lag screw (E) with washer (D)
- Square the center bracket to the boards and secure with lag screws in every other hole as shown below



4FT BENCH SPECIFICATIONS

BC1180
BC1196
BC1197
BC1198
BC1801
BC1802
BC1803

REV# 5
1/24/2018



CONSTRUCTION MATERIALS:
Recycled Plastic, Cast Aluminum
HARDWARE:
Stainless Steel

BENCH SLATS ARE 1.5 INCHES THICK BY 3.5 INCHES WIDE

ALL DIMENSIONS SHOWN IN INCHES