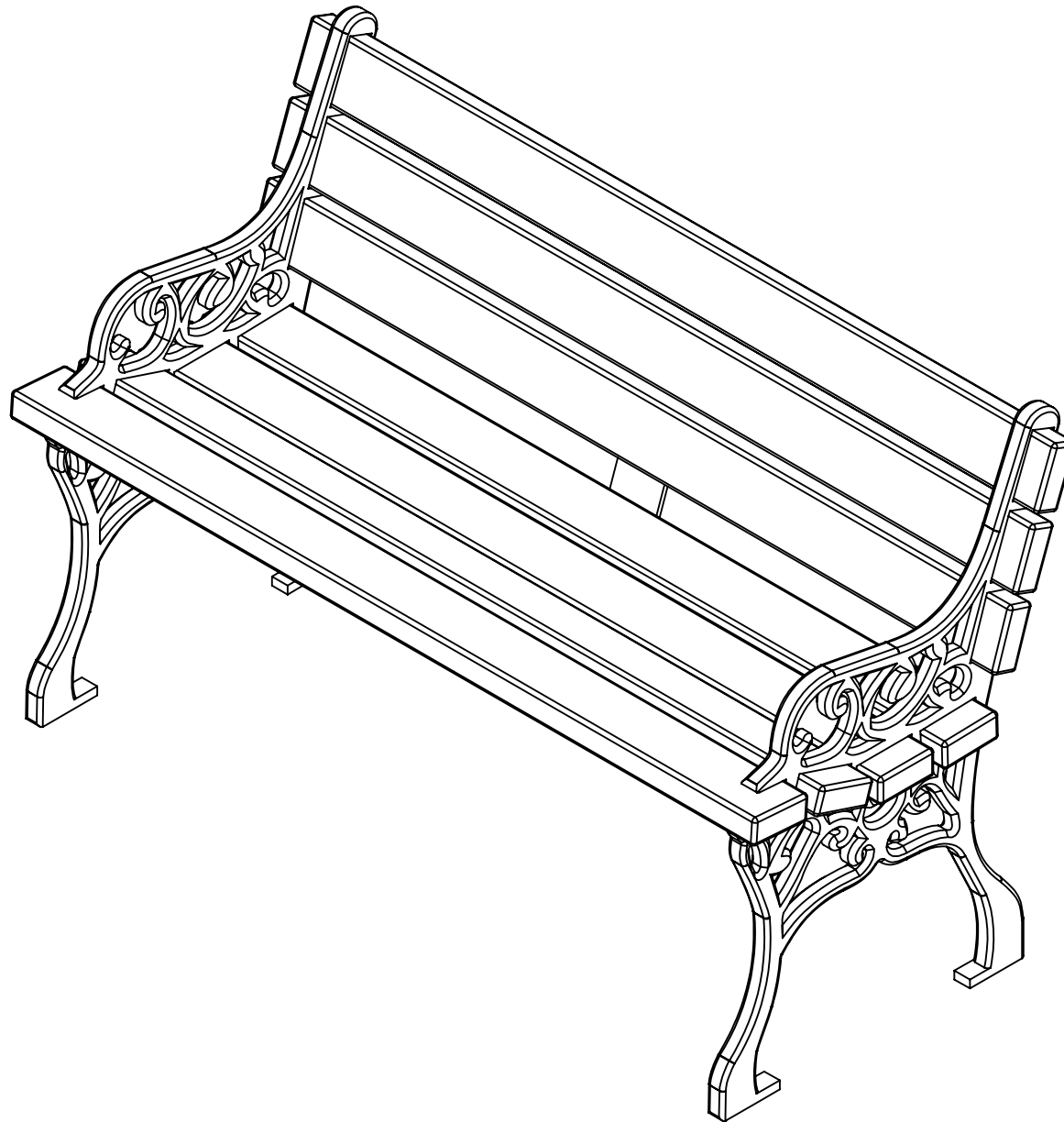


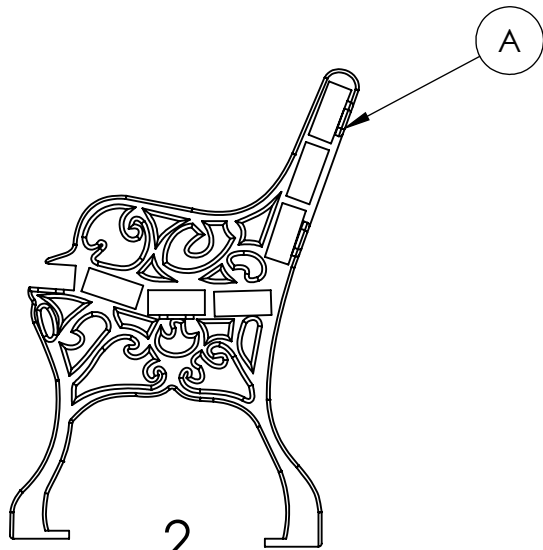
4FT BENCH INSTRUCTIONS

BC1180
BC1196
BC1197
BC1198
BC1801
BC1802
BC1803

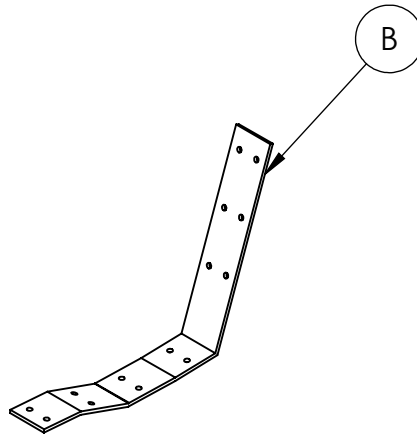
REV# 4
9/14/2016



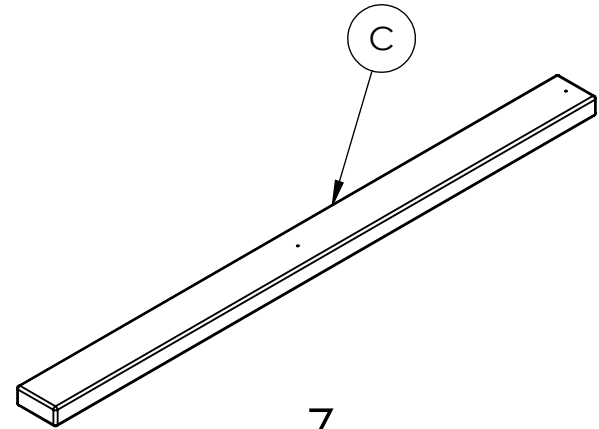
4FT BENCH INSTRUCTIONS



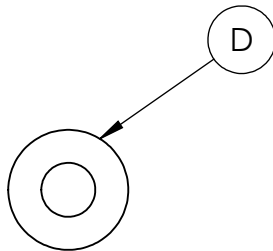
2
Bench Ends
LJM1000



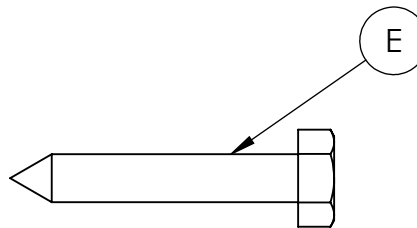
1
Support Bracket
SSI1000



7
Seat Slats
ABC-P0123



21
1/4" FLAT WASHER



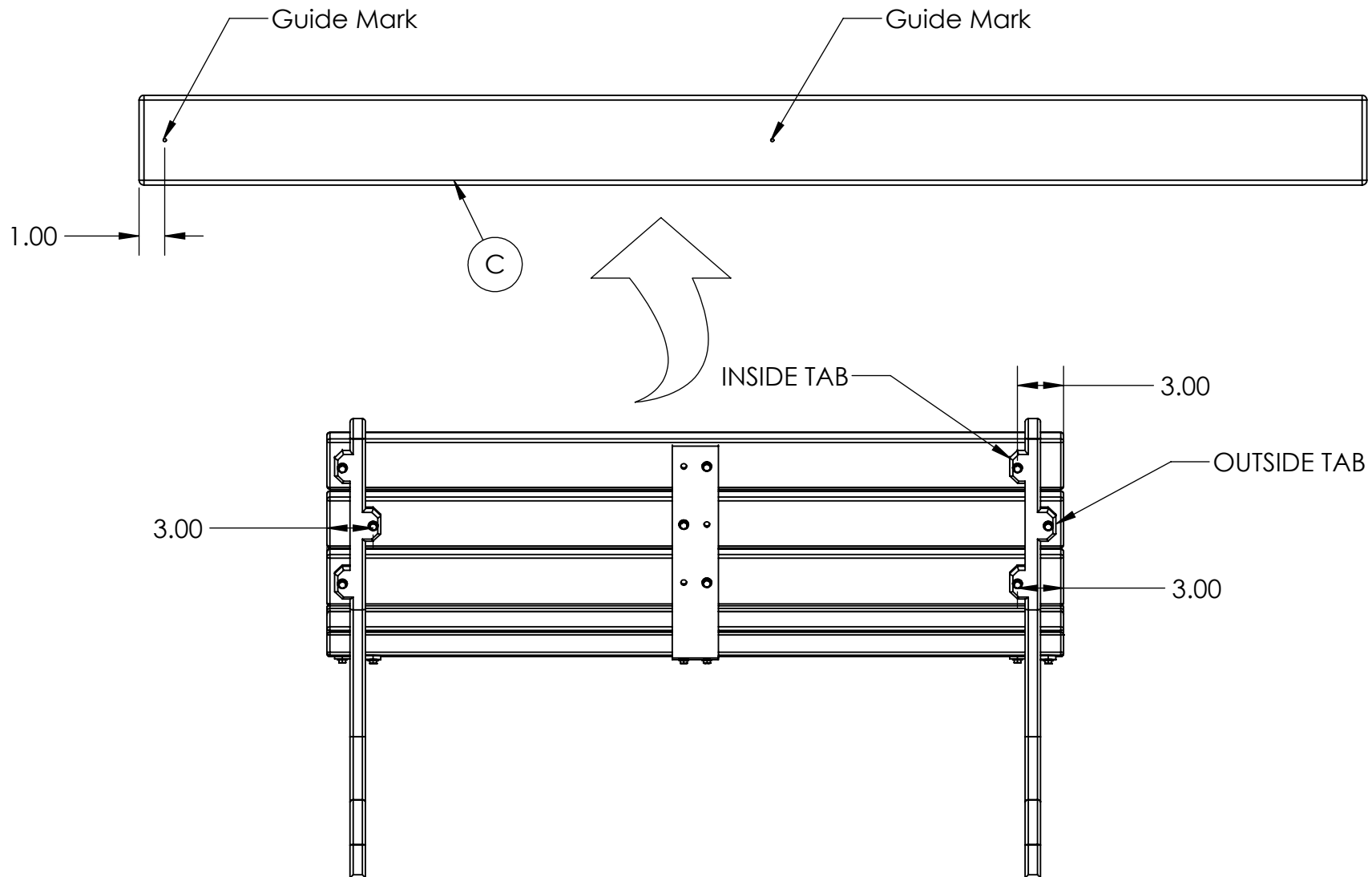
21
1/4" X 1.50" LAG SCREW

REQUIRED TOOLS:
-(1) 7/16" SOCKET
-(1) 90° SQUARE

NOTE: It is important to keep all hardware
finger tight until assembly is complete

**INCLUDED HARDWARE &
REQUIRED TOOLS FOR
ASSEMBLY**

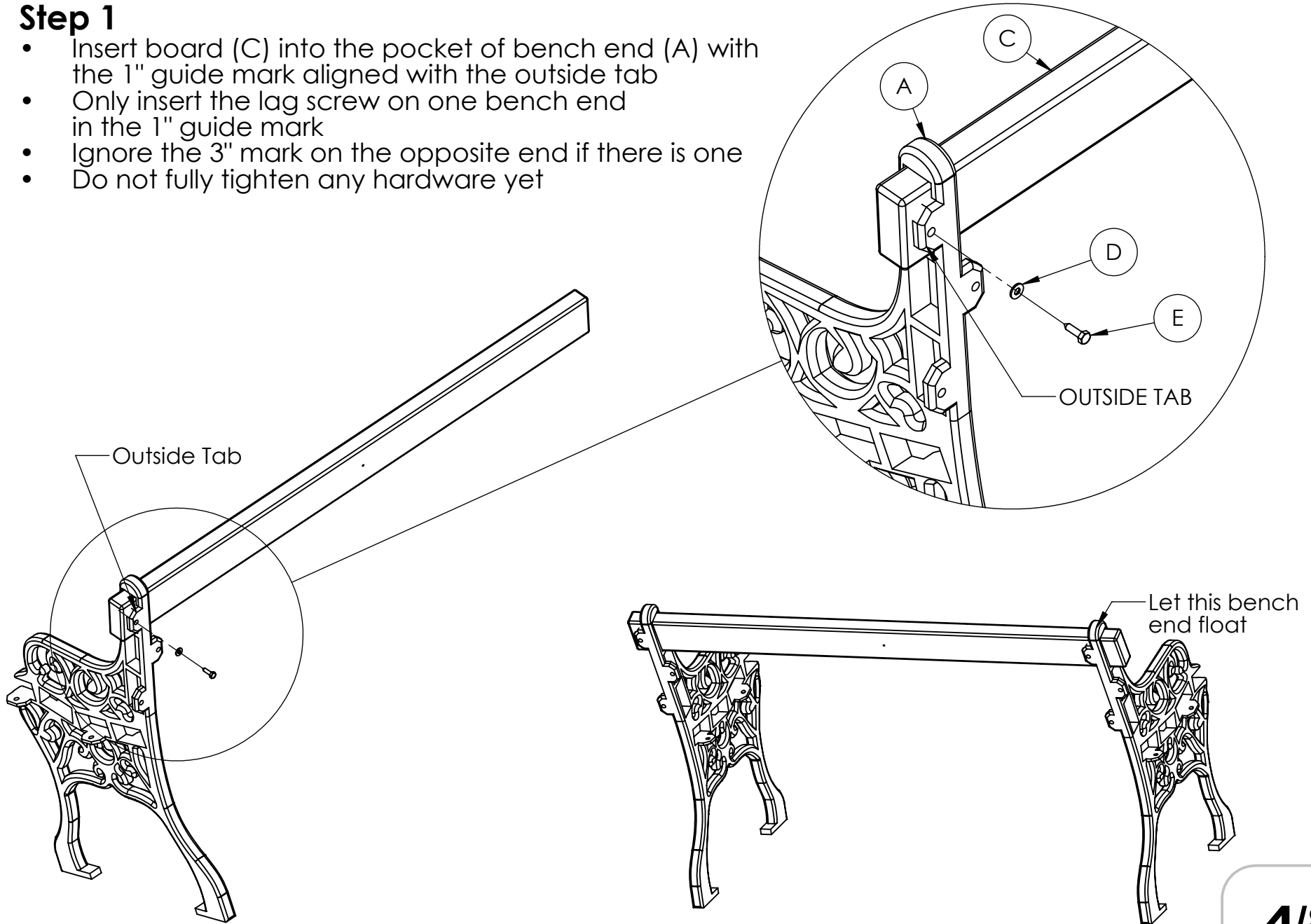
4FT BENCH INSTRUCTIONS



4FT BENCH INSTRUCTIONS

Step 1

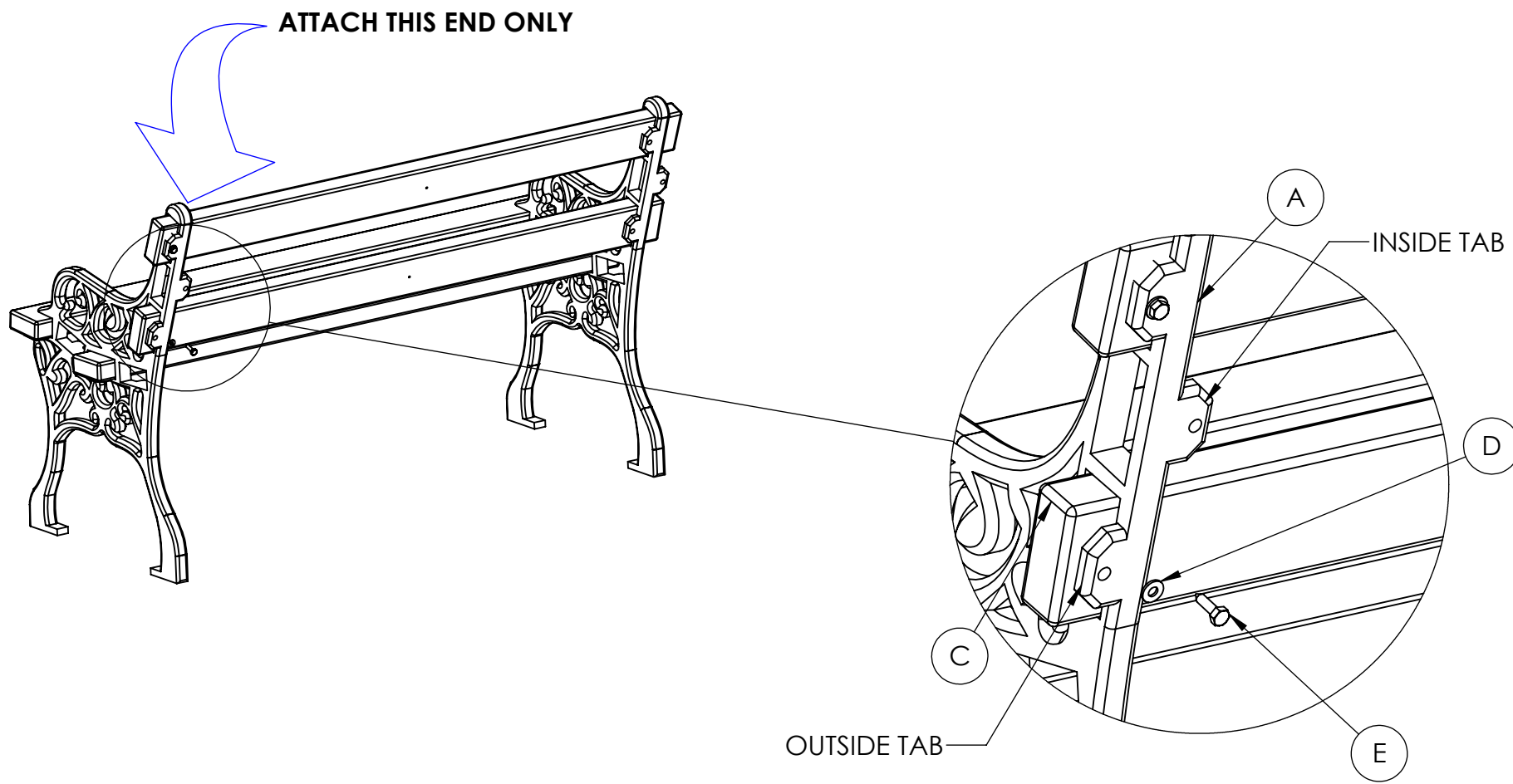
- Insert board (C) into the pocket of bench end (A) with the 1" guide mark aligned with the outside tab
- Only insert the lag screw on one bench end in the 1" guide mark
- Ignore the 3" mark on the opposite end if there is one
- Do not fully tighten any hardware yet



4FT BENCH INSTRUCTIONS

Step 2

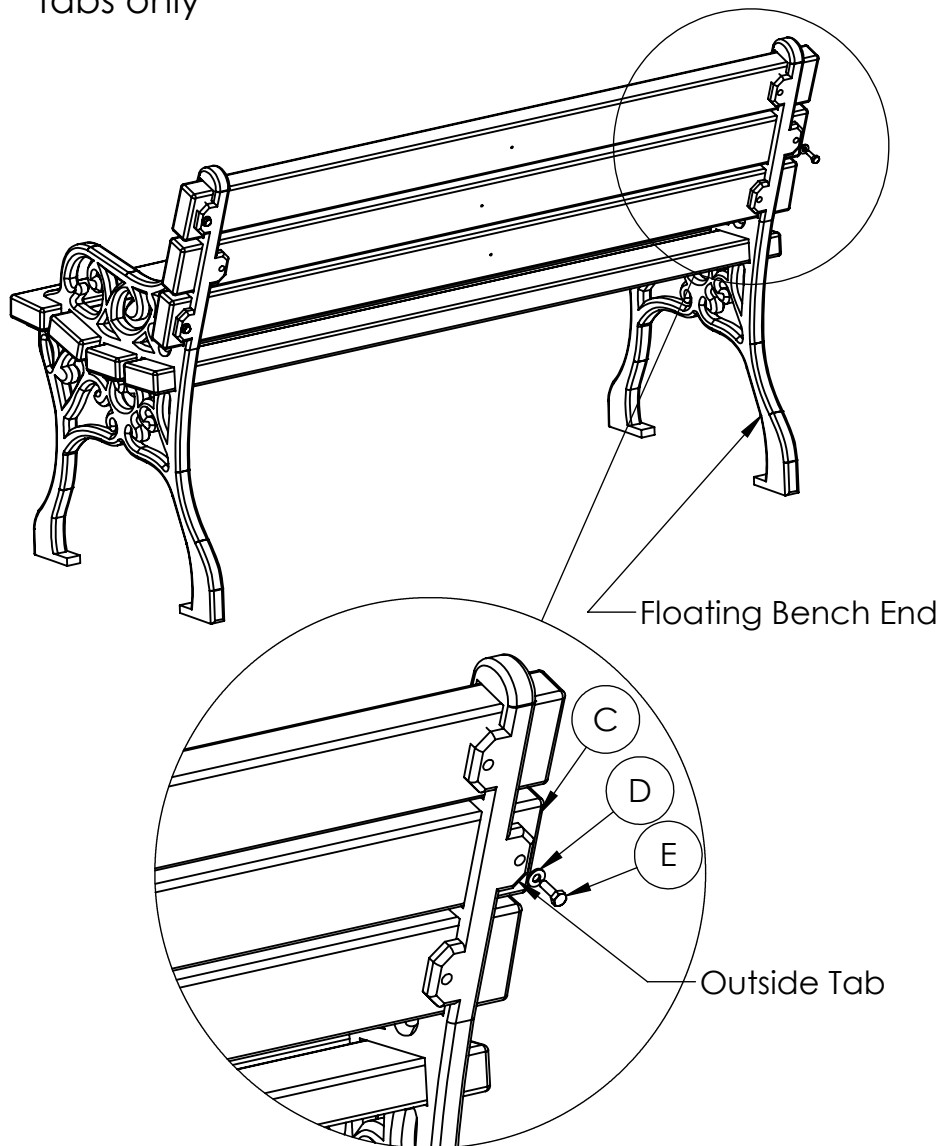
- Insert 3 more boards (C) into the pockets of the bench ends (A)
- Align the 1" guide marks with the outside tabs
- Insert lags screws (E) with washers (D) into the 1" guide mark only using the same bench end as Step 1



4FT BENCH INSTRUCTIONS

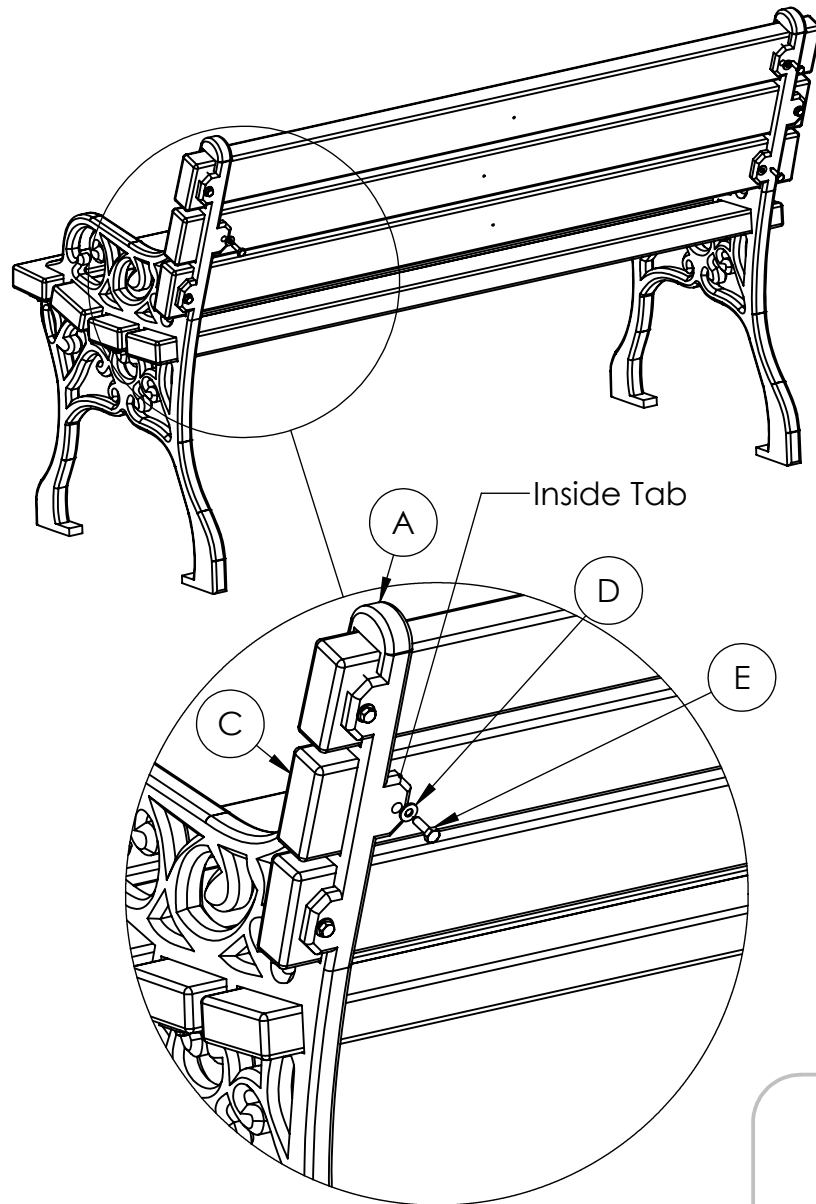
Step 3

- Insert the remaining boards (C) into the pockets of the bench ends aligned to the 1" guide mark with the outside tab on the floating bench end
- Insert lag screws (E) with washers (D) in the outside tabs only



Step 4

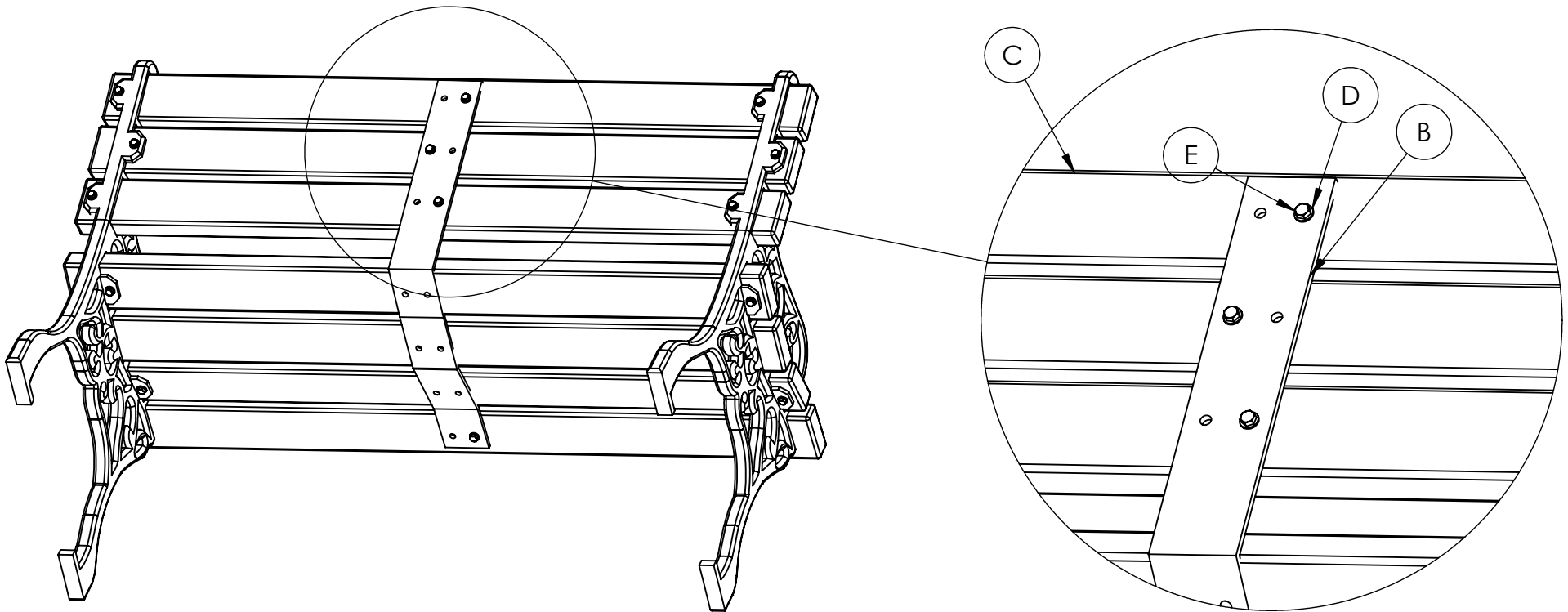
- Square the boards to each other and to the bench ends
- Fully tighten all the lag screws in the outside tabs
- Insert lag screws (E) with washers (D) in all of the inside tabs on the bench ends (A)
- Ensure that all of the boards (C) are aligned flush and square, then tighten all lag screws (E)



4FT BENCH INSTRUCTIONS

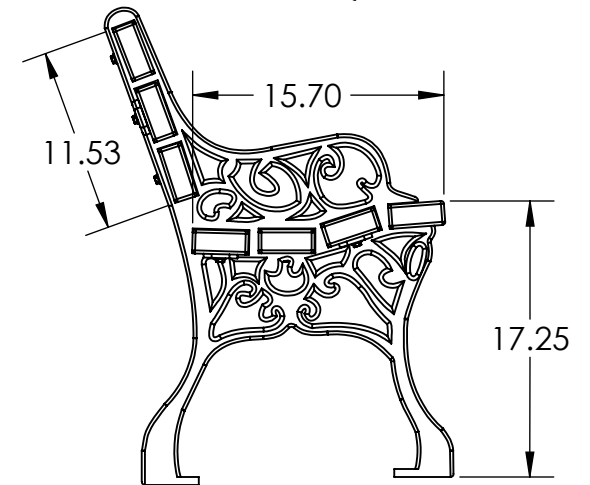
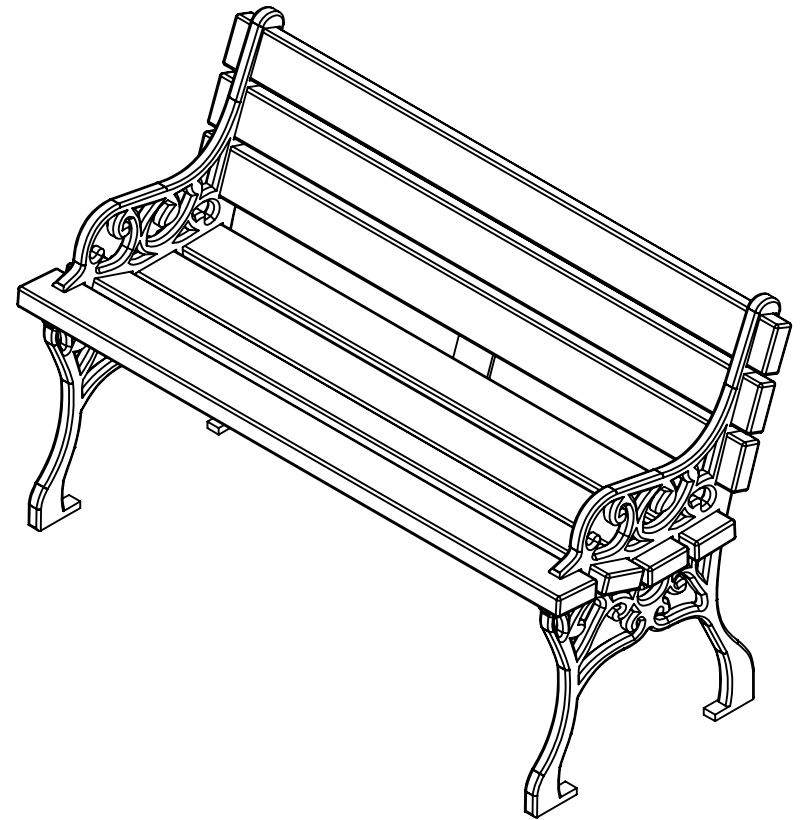
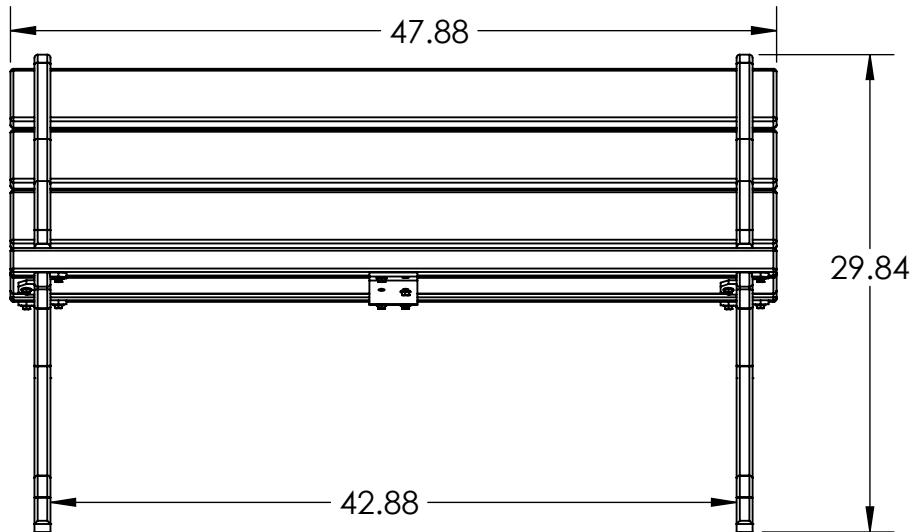
Step 5

- Tip the bench forward on a soft clean surface
- Place the center bracket (B) on the back of the bench
- Find a guide mark that matches the center bracket (B) (Some guide marks may not line up)
- Insert lag screw (E) with washer (D)
- Square the center bracket to the boards and secure with lag screws in every other hole as shown below



4FT BENCH SPECIFICATIONS

BC1180
BC1196
BC1197
BC1198
BC1801
BC1802
BC1803



CONSTRUCTION MATERIALS:
Recycled Plastic, Cast Aluminum
HARDWARE:
Stainless Steel

ALL DIMENSIONS ARE SHOWN IN INCHES