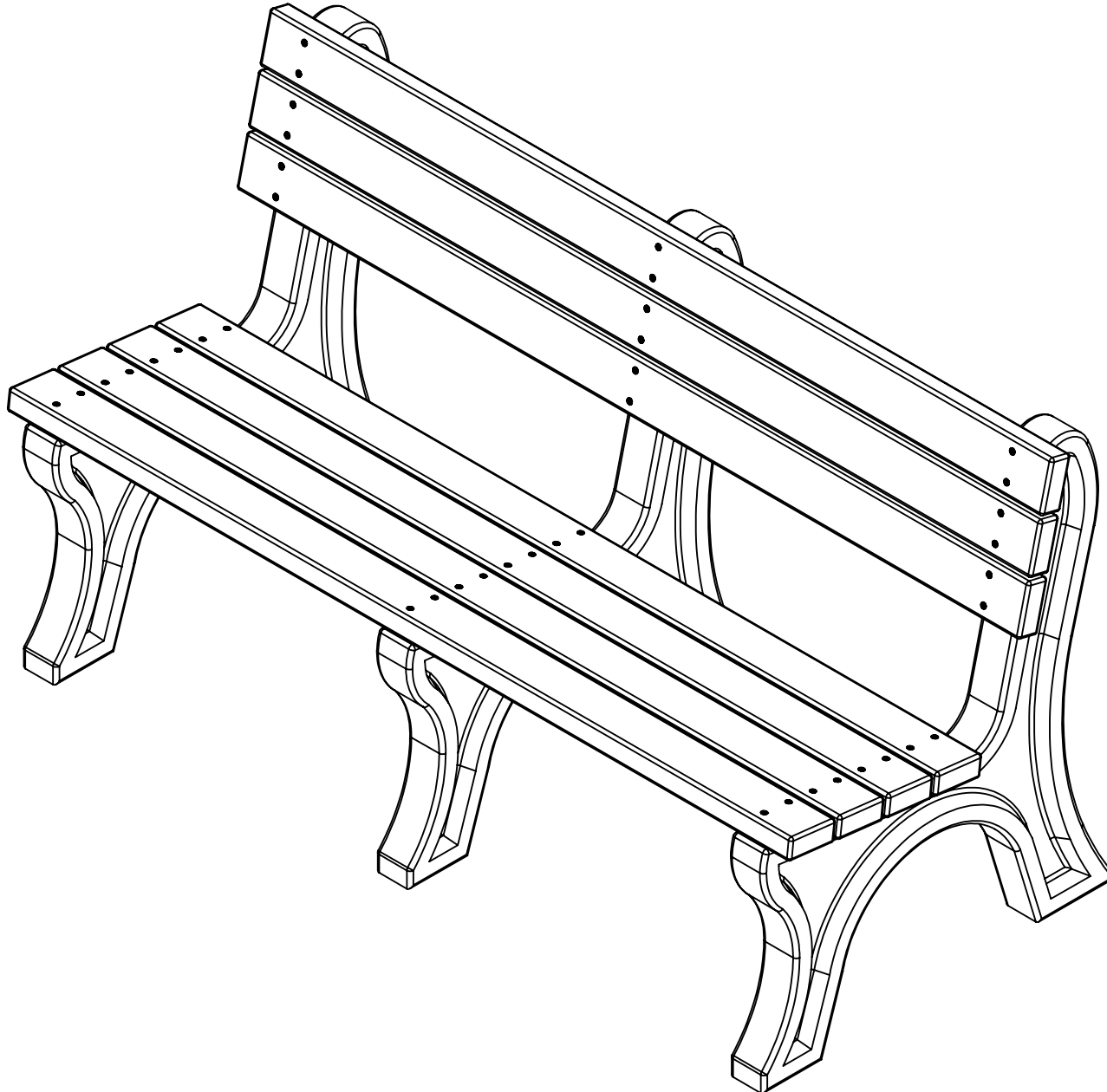


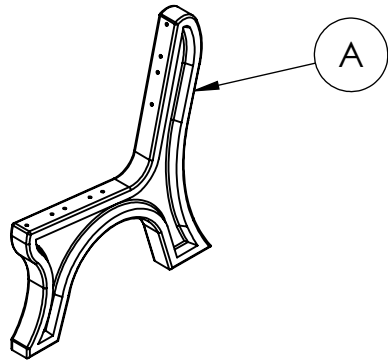
# BENCH INSTRUCTIONS

REV# 3  
1/18/18

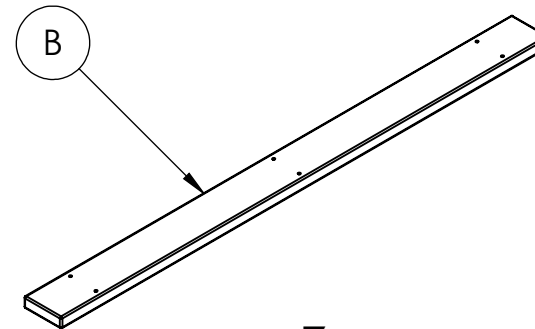
BC1115  
BC1120  
BC1125  
BC1151  
BC1152  
BC1153  
BC1155  
BC1156  
BC1157  
BC1161  
BC1162  
BC1163



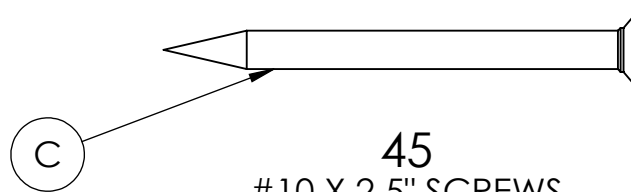
# BENCH INSTRUCTIONS



3  
BENCH END  
ABC-PPL1000



7  
PLASTIC BOARDS  
ABC-P0097



45  
#10 X 2.5" SCREWS

## REQUIRED TOOLS (NOT INCLUDED)

- POWER DRILL
- #2 SQUARE DRIVE

**NOTE: IT IS IMPORTANT TO KEEP ALL SCREWS LOOSE DURING ASSEMBLY UNTIL ENTIRE BENCH IS ASSEMBLED**

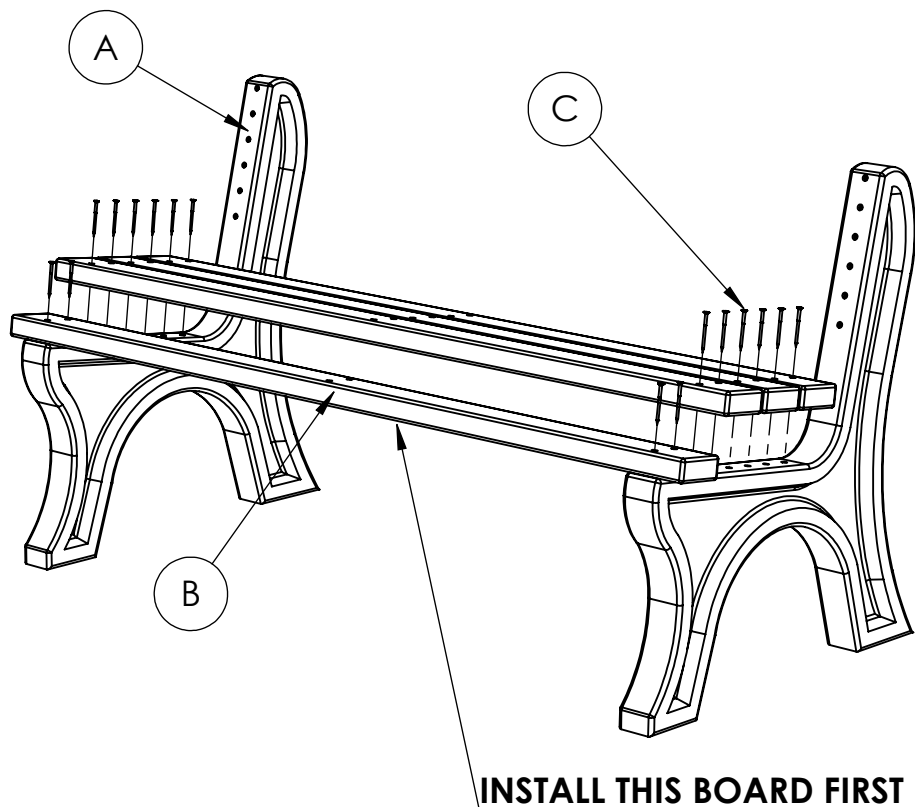
**HARDWARE &  
TOOLS REQUIRED  
FOR ASSEMBLY**

**2/5**

# BENCH INSTRUCTIONS

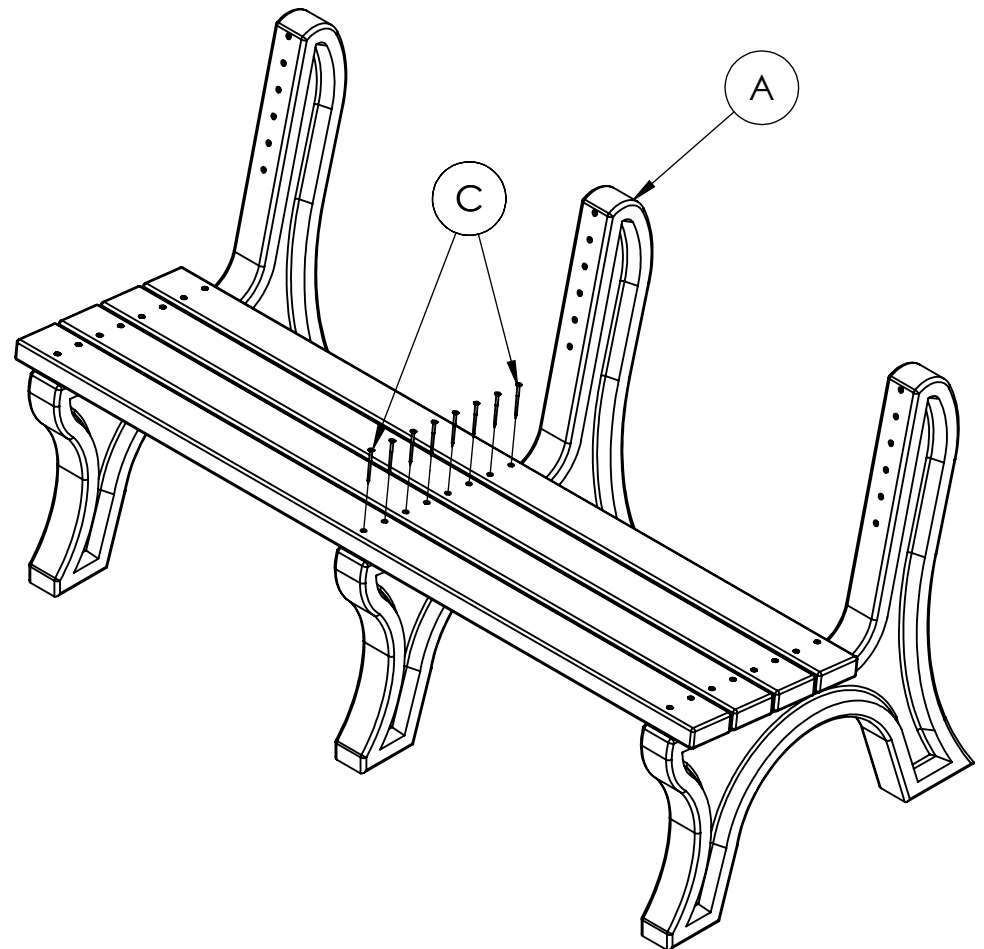
## STEP 1 Seat Assembly

- Stand two outer bench ends (A) upright
- Lay a plastic board (B) over the bench ends (A) closest to the end
- Align the holes in the plastic board with the predrilled holes in the bench ends
- Secure the board (B) with the #10 x 2.5" screws (C)
- Repeat for each plastic board starting at the front seat board and working toward the back



## STEP 2 Seat Assembly

- Move the remaining bench end (A) to the center of the bench
- Align the predrilled holes in the bench end with holes in the plastic board (B)
- Secure each plastic board to the end with #10 x 2.5" screws (C)

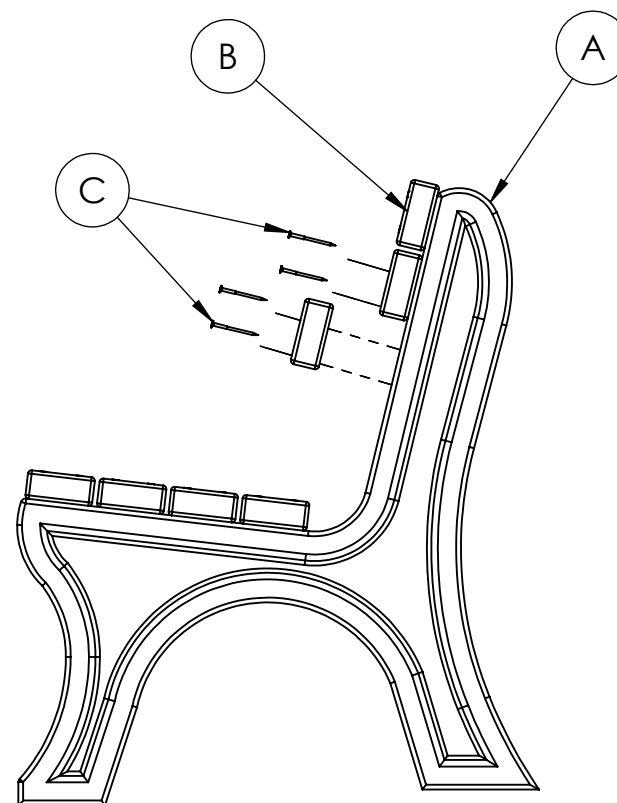
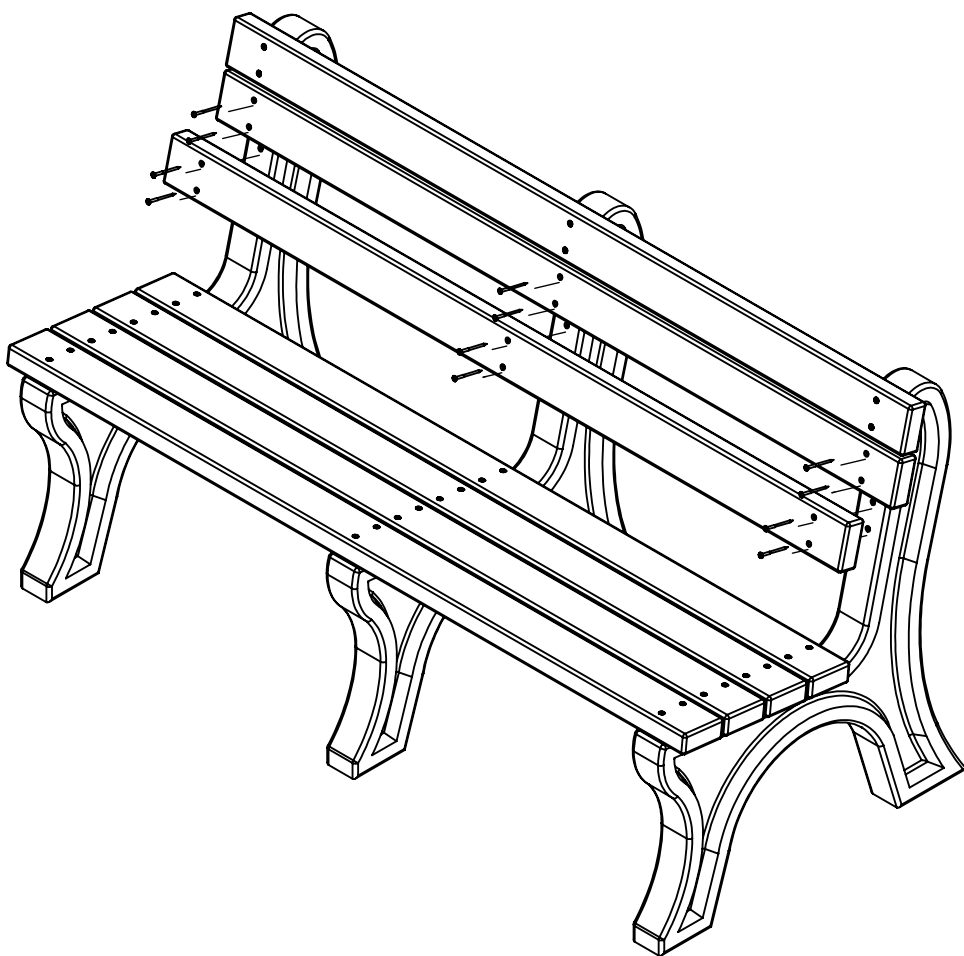


## BENCH INSTRUCTIONS

### STEP 3 Backrest Assembly

- Hold a plastic board (B) up to the back rest portion of the bench end (A)
- Align the predrilled holes in the bench end (A) with holes in the plastic board (B)
- Secure each plastic board to the bench end with #10 x 2.5" screws (C)
- Square all components and tighten all screws
- Level board and leave 1/4" spacing between boards and secure to bench ends

**Note:** If there are engraved boards, holes may be missing or not line up properly with bench ends

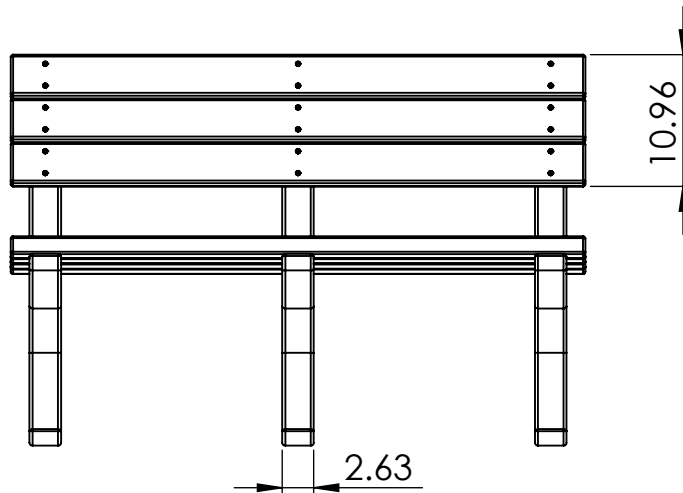
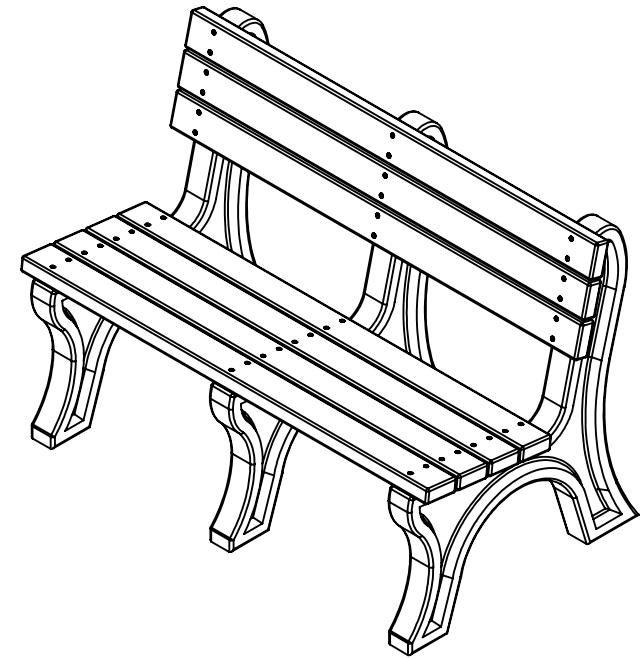
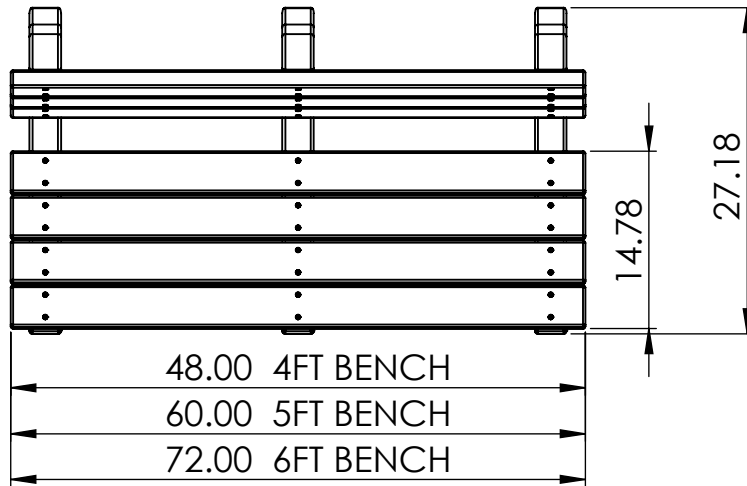


# BENCH SPECIFICATIONS

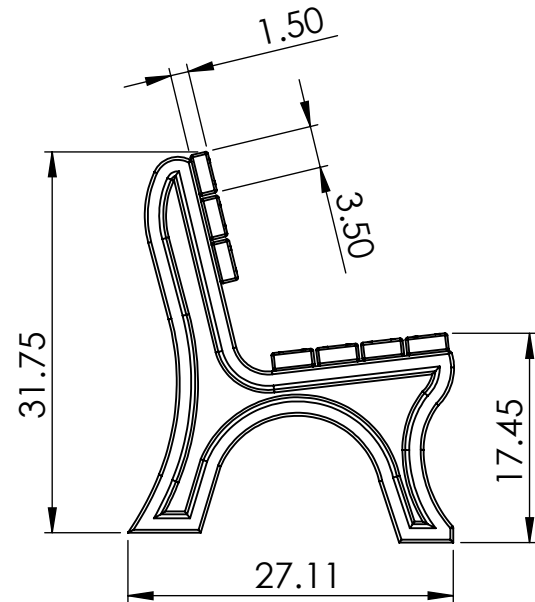
REV# 3  
1/18/18

- BC1115
- BC1120
- BC1125
- BC1151
- BC1152
- BC1153
- BC1155
- BC1156
- BC1157
- BC1161
- BC1162
- BC1163

**TOP**



**FRONT**



**SIDE**

**CONSTRUCTION MATERIALS:**  
Recycled Plastic  
**HARDWARE:**  
Stainless Steel

ALL DIMENSIONS SHOWN IN INCHES