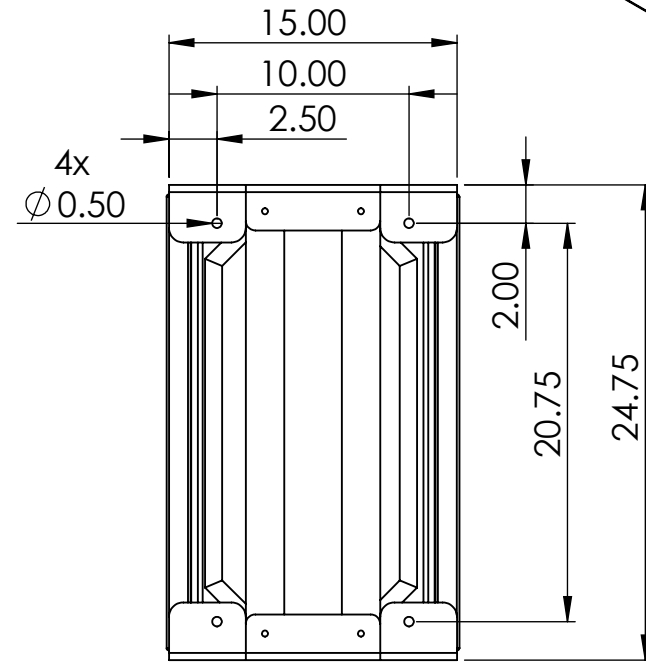
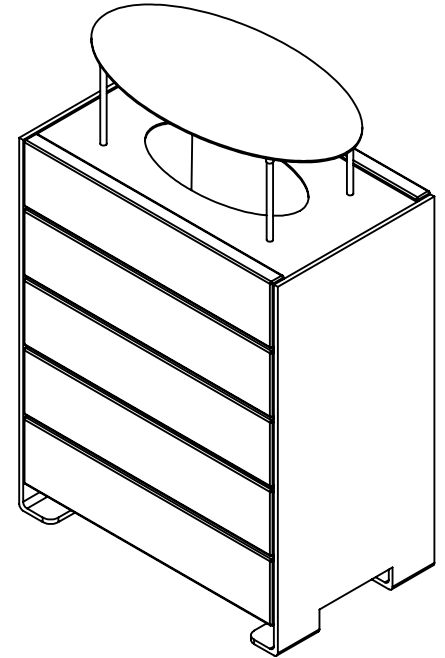
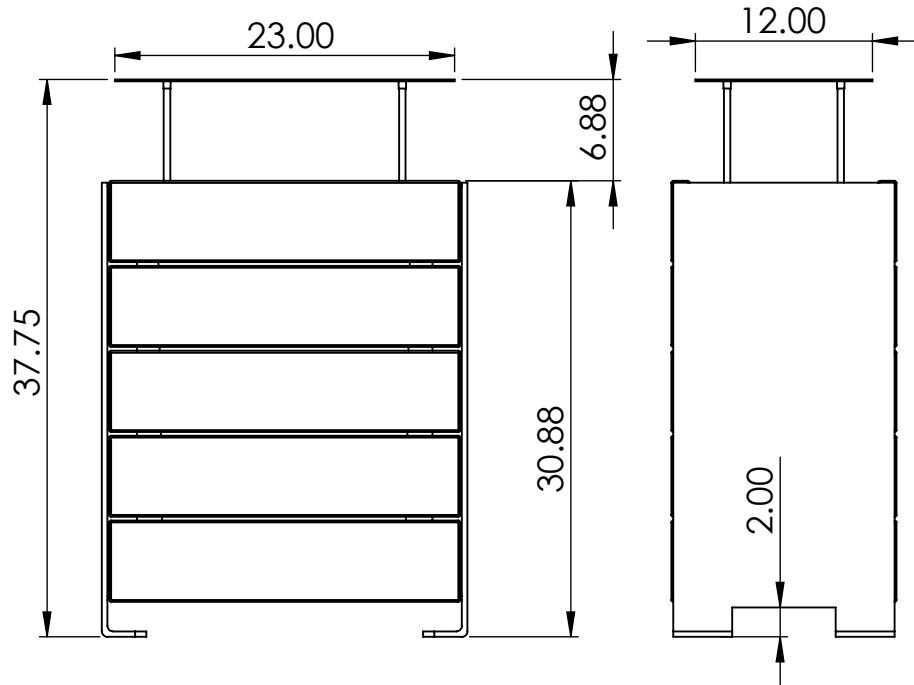
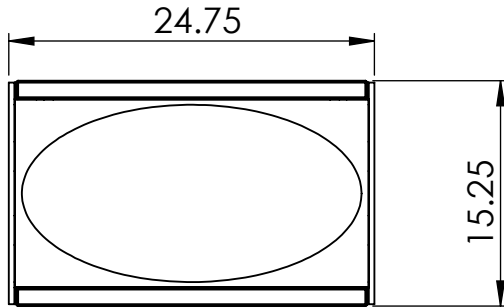


RECEPTACLE SPECIFICATIONS

TR2950

REV# 3
4/28/2022

TOP



SURFACE MOUNT LOCATION

CONSTRUCTION MATERIALS:
Recycled Plastic
HARDWARE:
Stainless Steel

ALL DIMENSIONS ARE SHOWN IN INCHES