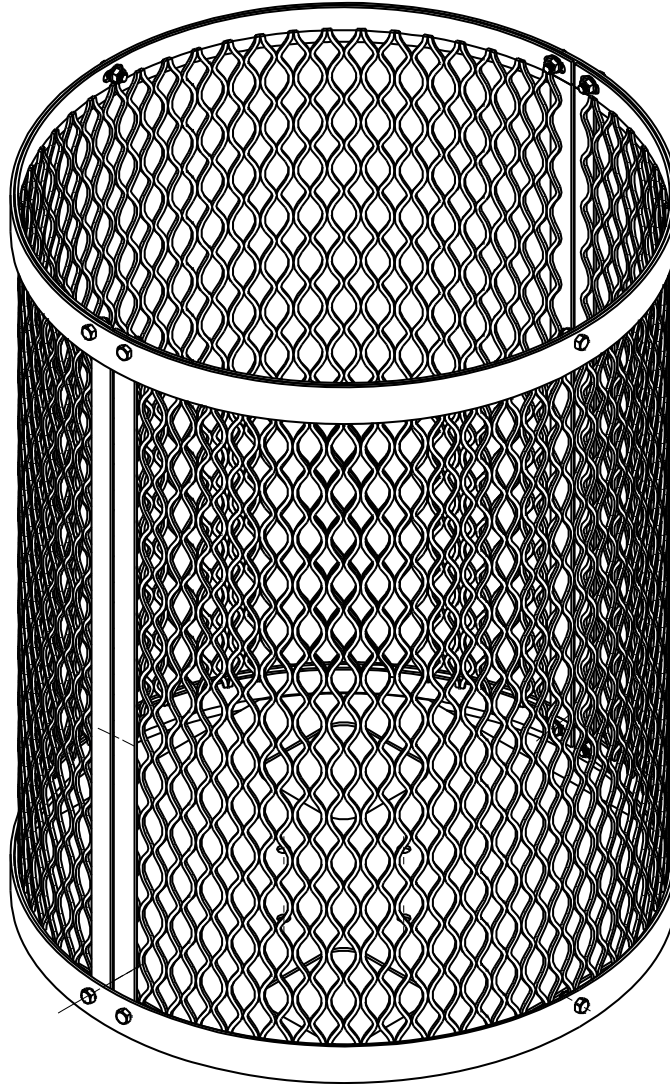
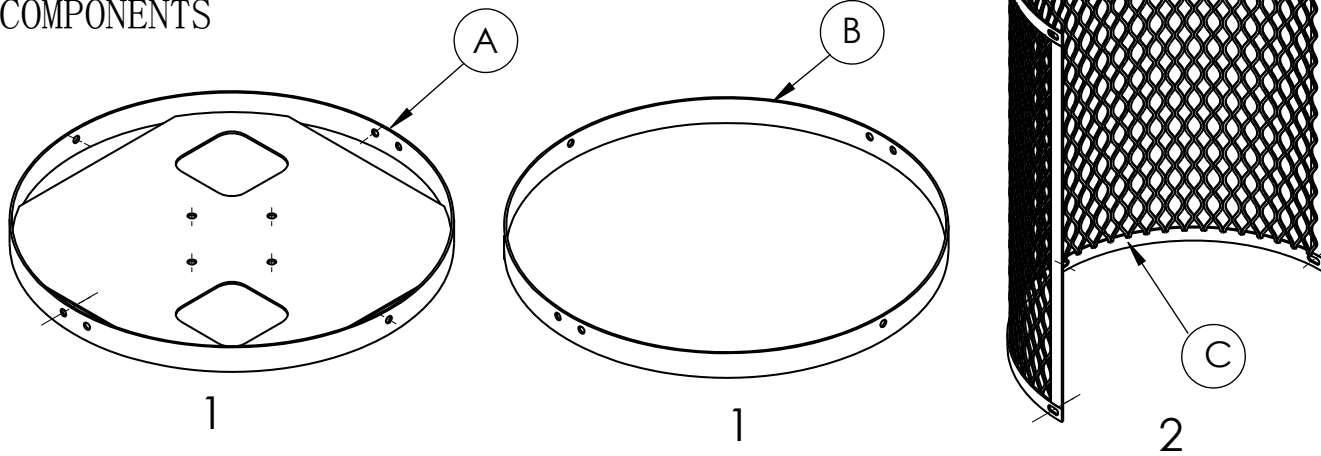


# INSTRUCTIONS

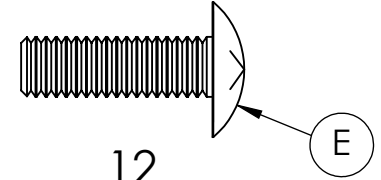


# INSTRUCTIONS

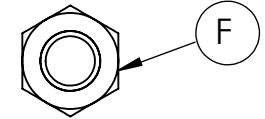
## COMPONENTS



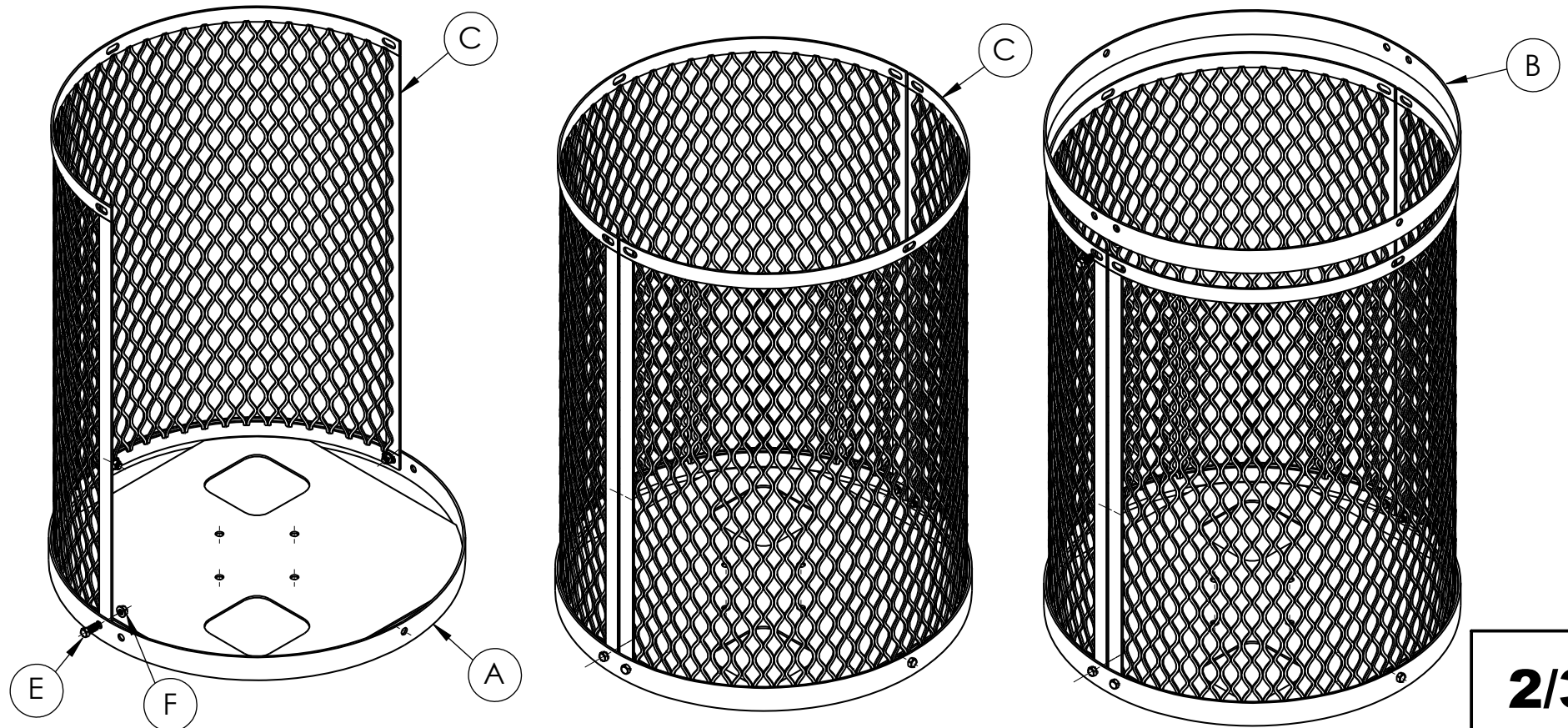
## HARDWARE



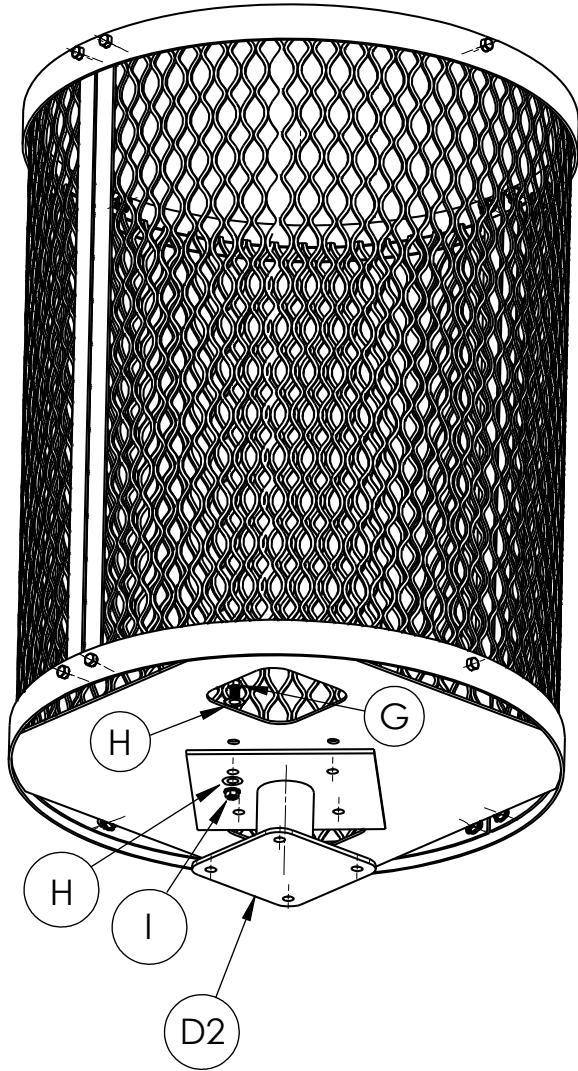
12  
M6 x 20  
ROUND HEAD BOLTS



12  
M6 Hex Nut

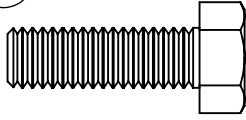


# INSTRUCTIONS



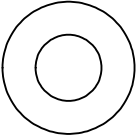
**HARDWARE**

(G)



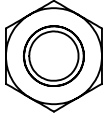
4  
M8 x 20  
HEX HEAD BOLTS

(H)



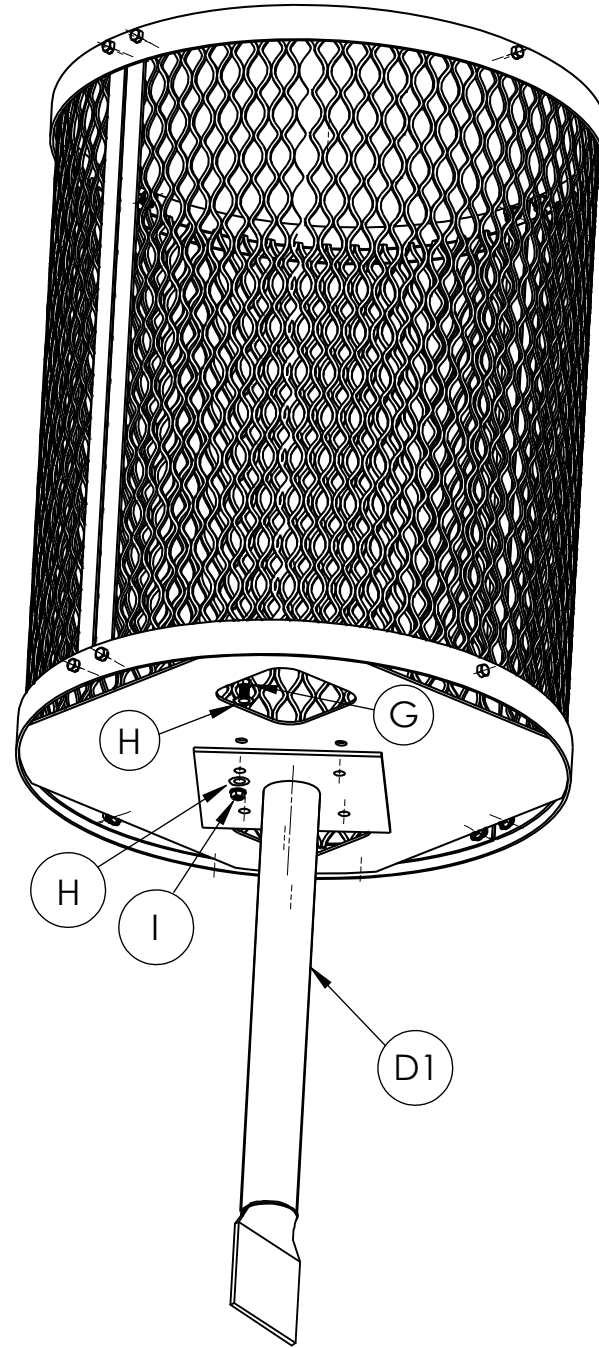
8  
M8 Flat Washer

(I)



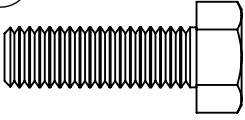
4  
M8 Hex Nut

SURFACE MOUNT MOUNTING OPTION



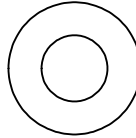
**HARDWARE**

(G)



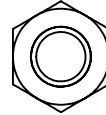
4  
M8 x 20  
HEX HEAD BOLTS

(H)



8  
M8 Flat Washer

(I)



4  
M8 Hex Nut

IN-GROUND MOUNTING OPTION