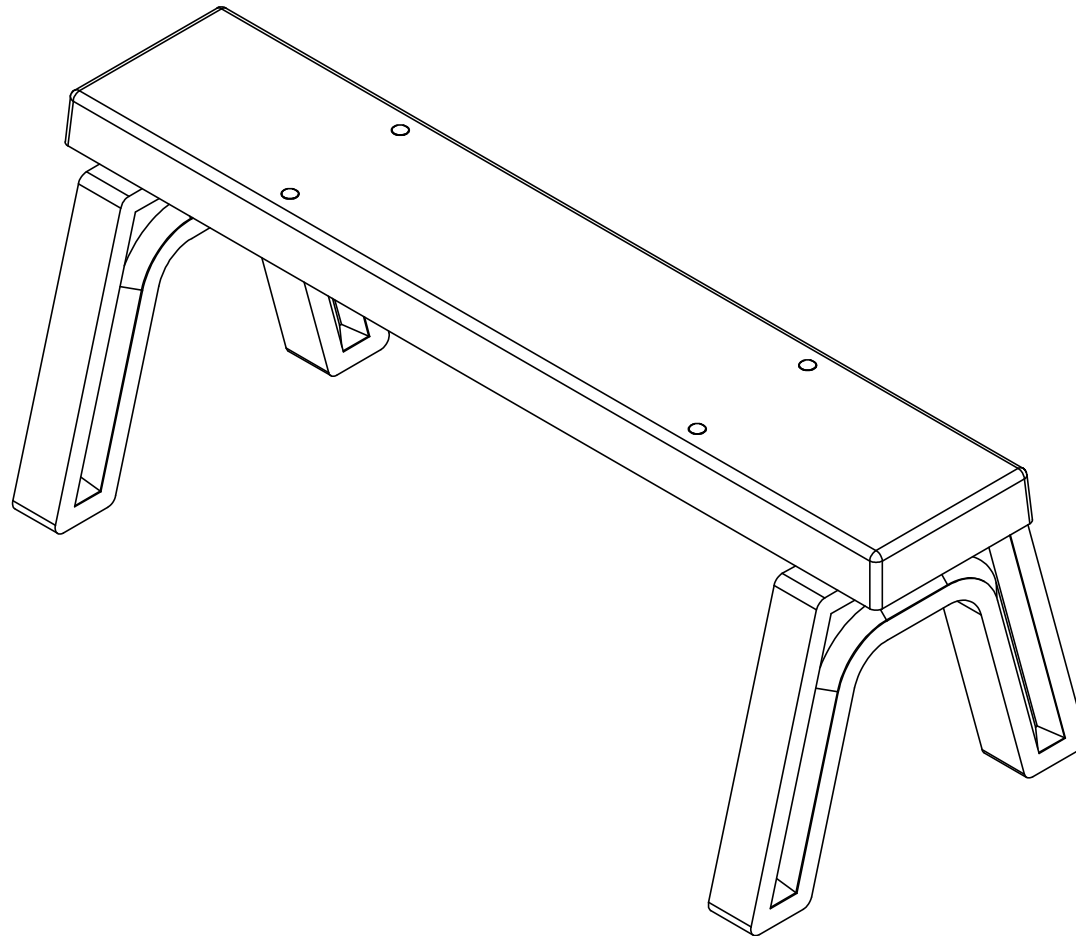


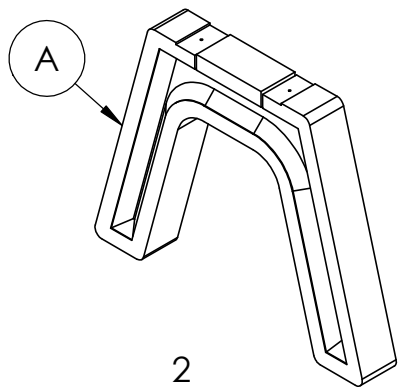
**BENCH INSTRUCTIONS**  
**KBC1635**

REV# 2  
9-15-2021

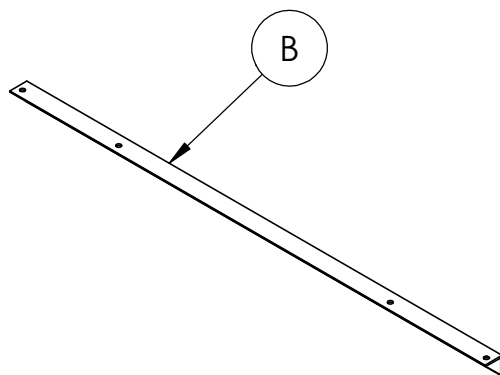


# BENCH INSTRUCTIONS

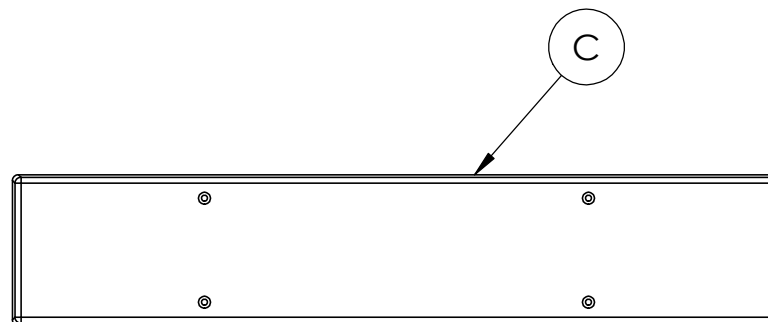
## KBC1635



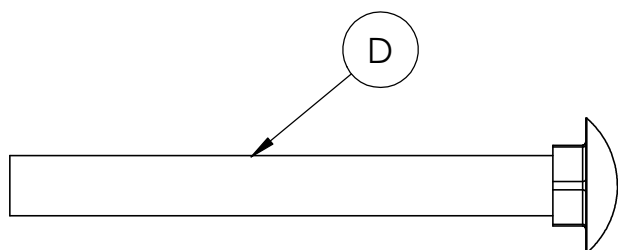
2  
Bench ends  
ABC-PPL1015



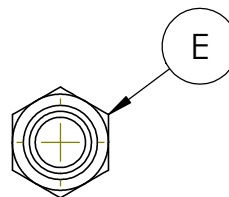
2  
Support brace  
P/N SSI1635-AL



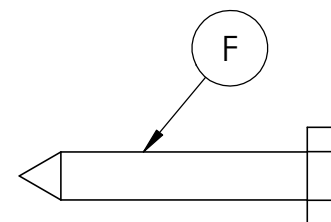
1  
Plastic boards  
P/N ABC-PTB1000



4  
3" x 5/16" Carriage bolt  
P/N CARR031C300188



8  
5/16" Hex nut  
P/N NNYL031CNUT188



4  
1-1/2" x 1/4" Lag screw  
HLAG025C150188

### REQUIRED TOOLS (NOT INCLUDED)

- 1 - 1/2" SOCKET
- 1 - 7/16" SOCKET
- 1 - POWER DRILL

**NOTE: IT IS IMPORTANT TO KEEP ALL BOLTS FINGER TIGHT DURING ASSEMBLY UNTIL ENTIRE UNIT IS ASSEMBLED**

**HARDWARE &  
TOOLS REQUIRED  
FOR ASSEMBLY**

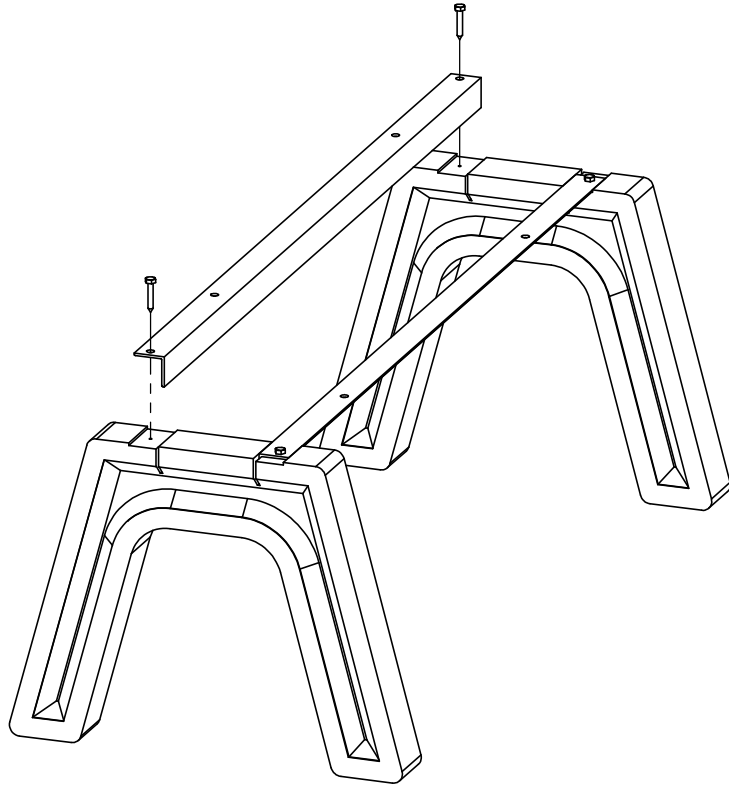
**2/4**

# BENCH INSTRUCTIONS

## KBC1635

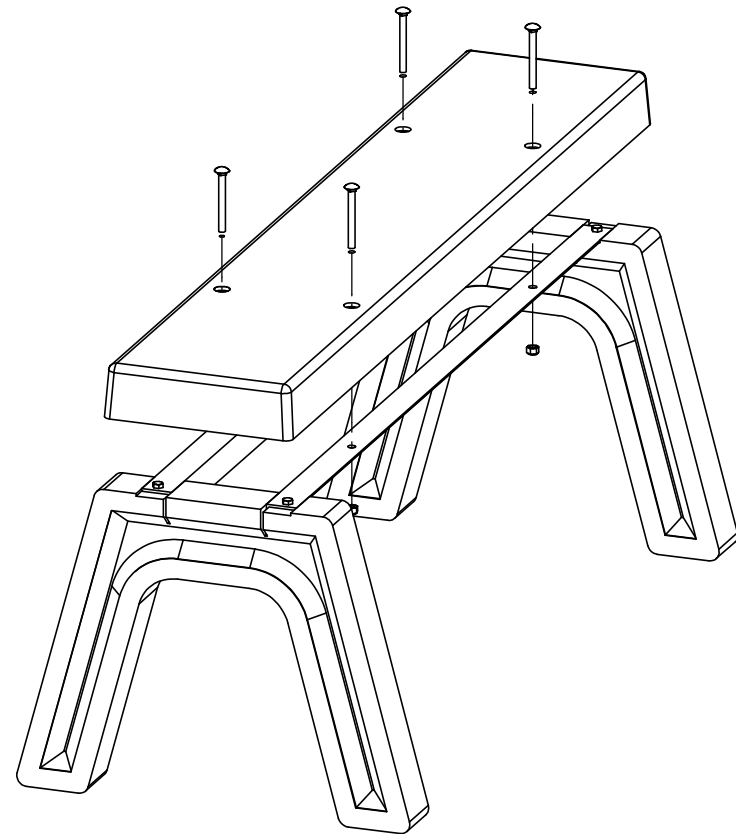
### STEP 1

- Stand both plastic bench ends (A) upright
- Place the support braces (B) into the plastic bench ends (A) as shown
- Make sure to align the holes of the support braces with the predrilled holes in the plastic bench end
- Use (4) 1-1/2" x 1/4" lag screws (F) to fasten the support braces (B) to the plastic bench ends (A)



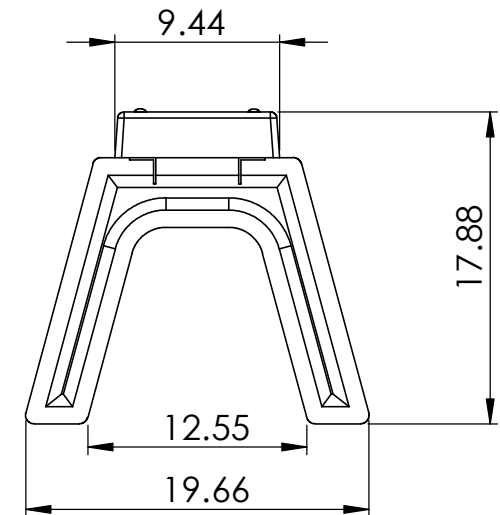
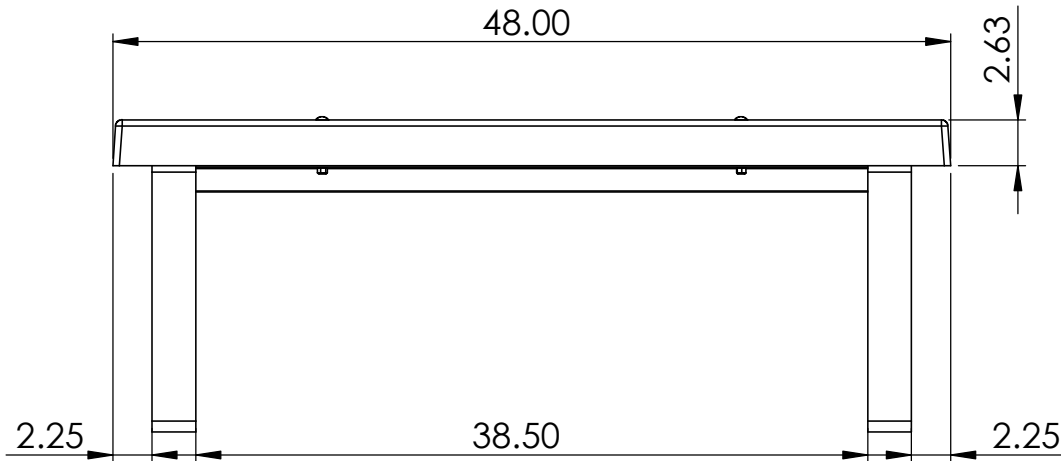
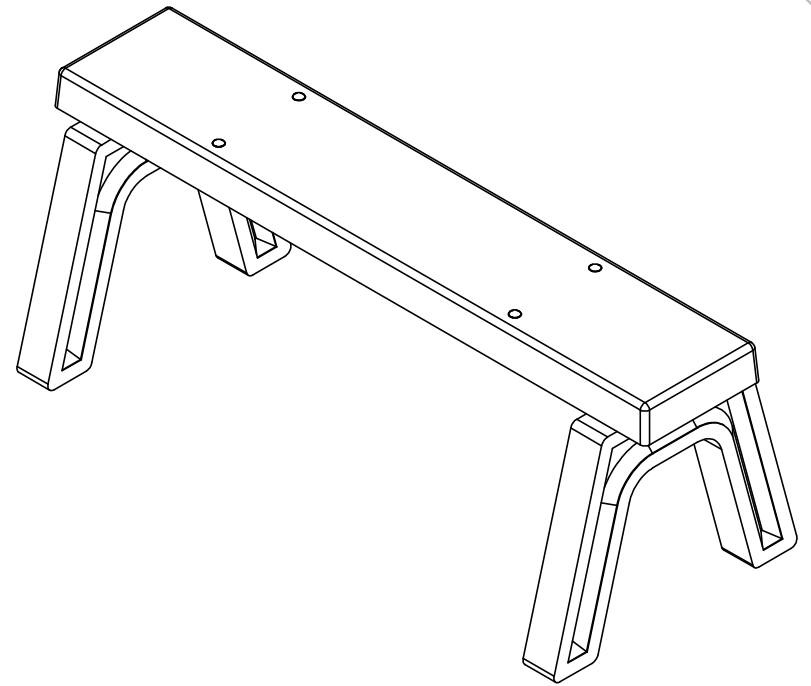
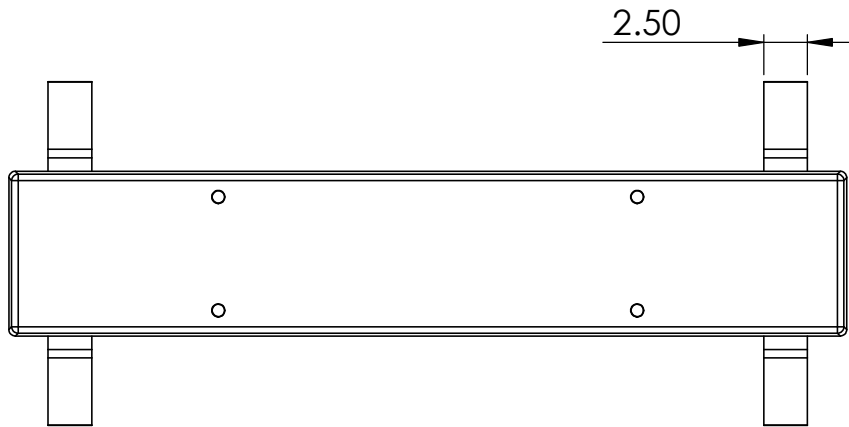
### Step 2

- Place a plastic board (C) over the plastic end supports (A)
- Align the holes of the plastic board (C) with the holes in the support braces (B)
- Secure with (4) 3" x 5/16" carriage bolts (D) and (4) 5/16" hex nuts (E)



# BENCH SPECIFICATIONS

## KBC1635



**CONSTRUCTION MATERIALS:**  
Plastic  
**HARDWARE:**  
Stainless Steel