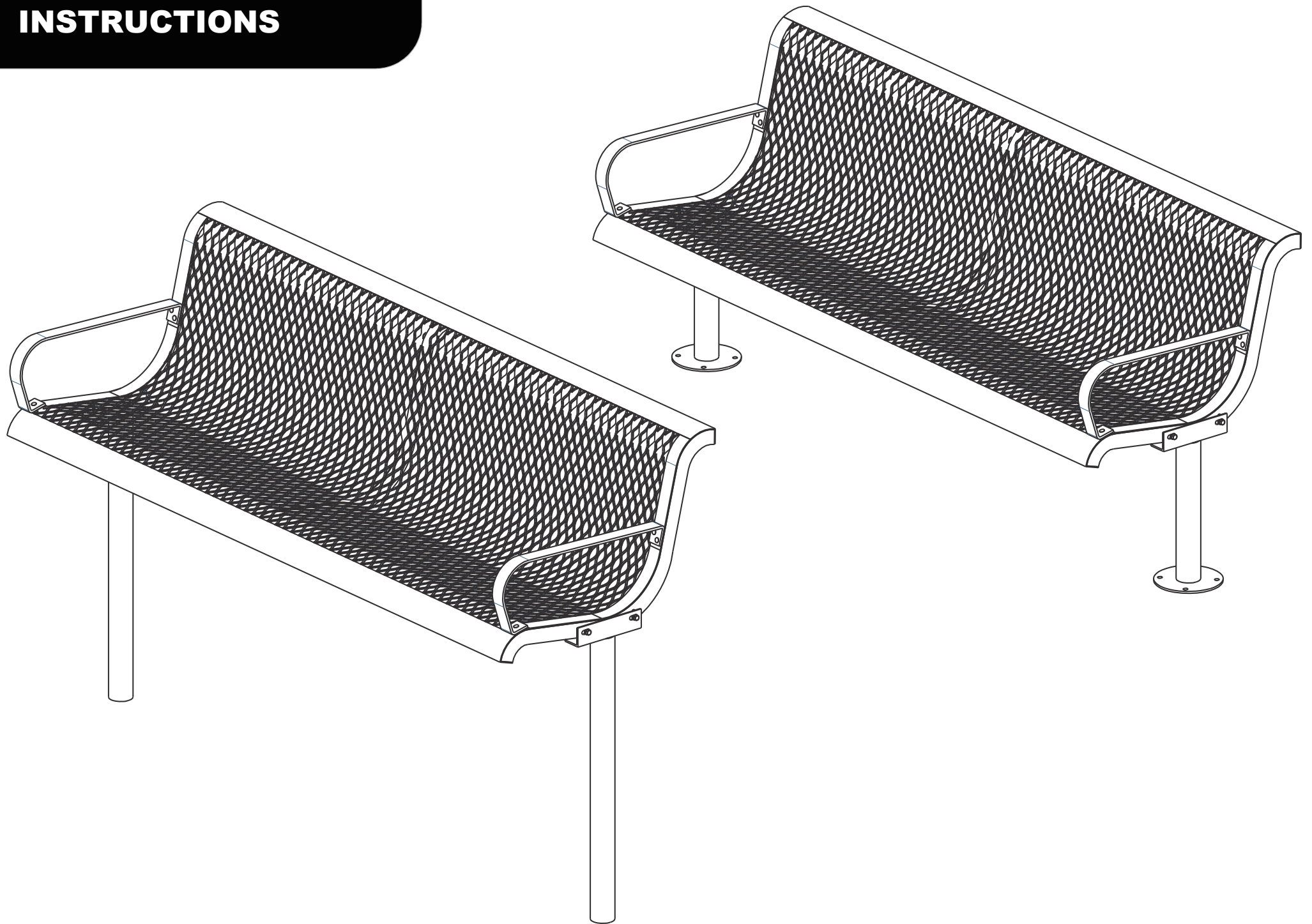
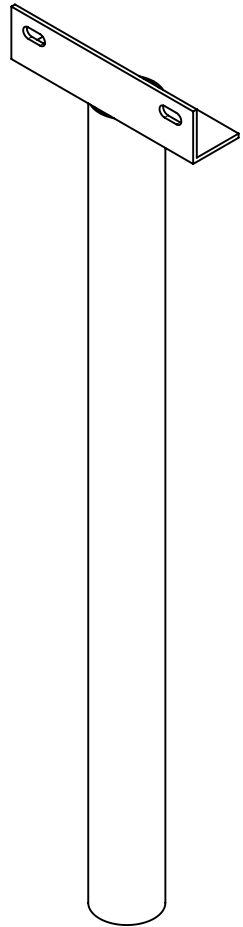


INSTRUCTIONS

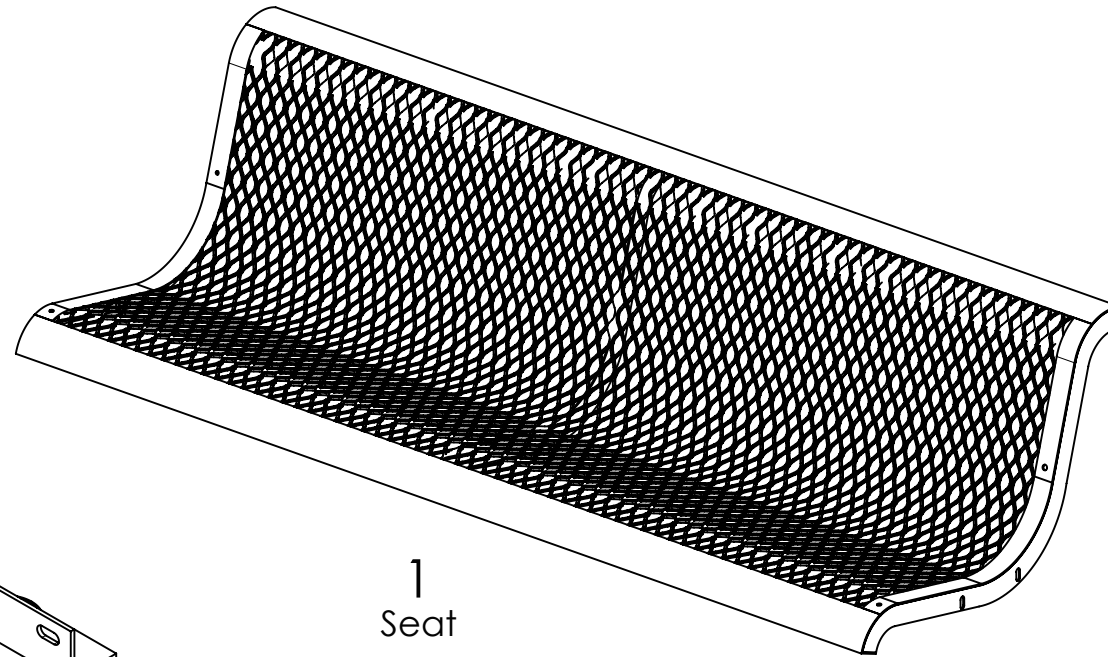
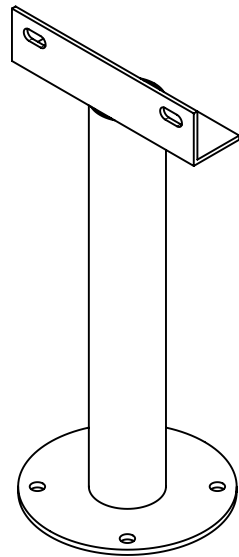


INSTRUCTIONS

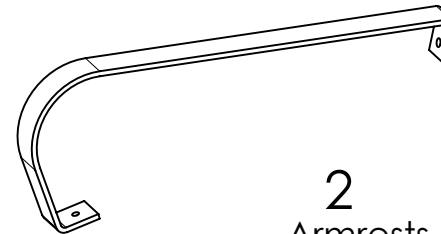


2
Legs

OR

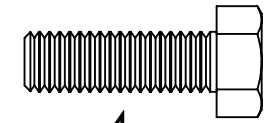


1
Seat

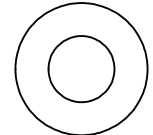


2
Armrests

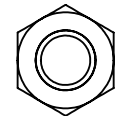
HARDWARE



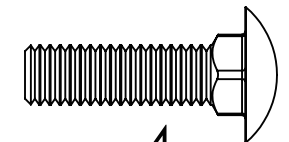
4
M8 x 25
HEX HEAD BOLTS



8
M8 Flat Washer



4
M8 Hex Nut



4
M6 x 20
CARRIAGE BOLT

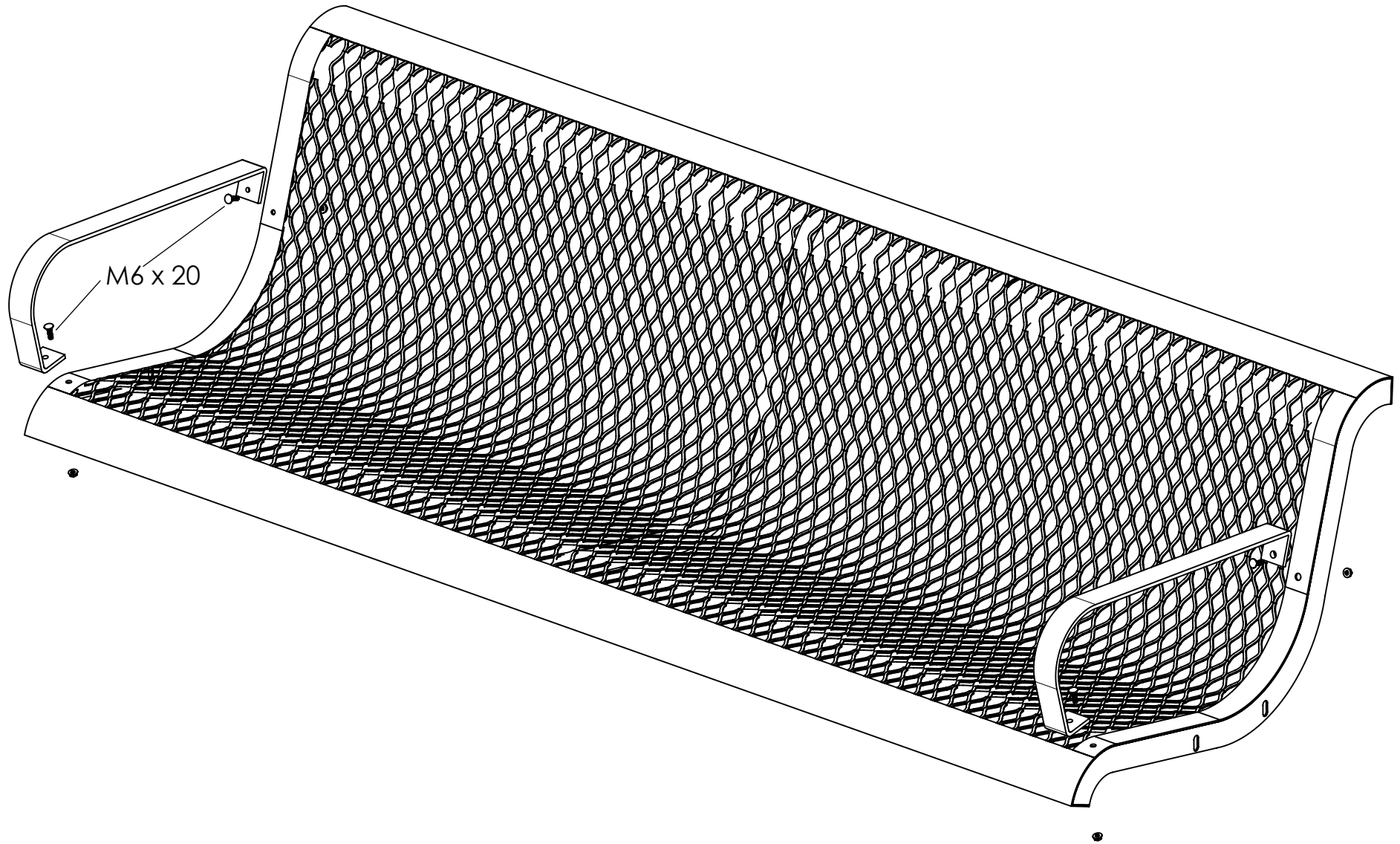


4
M6 FLANGE NUTS

**HARDWARE &
TOOLS REQUIRED
FOR ASSEMBLY**

2/4

INSTRUCTIONS



INSTRUCTIONS

