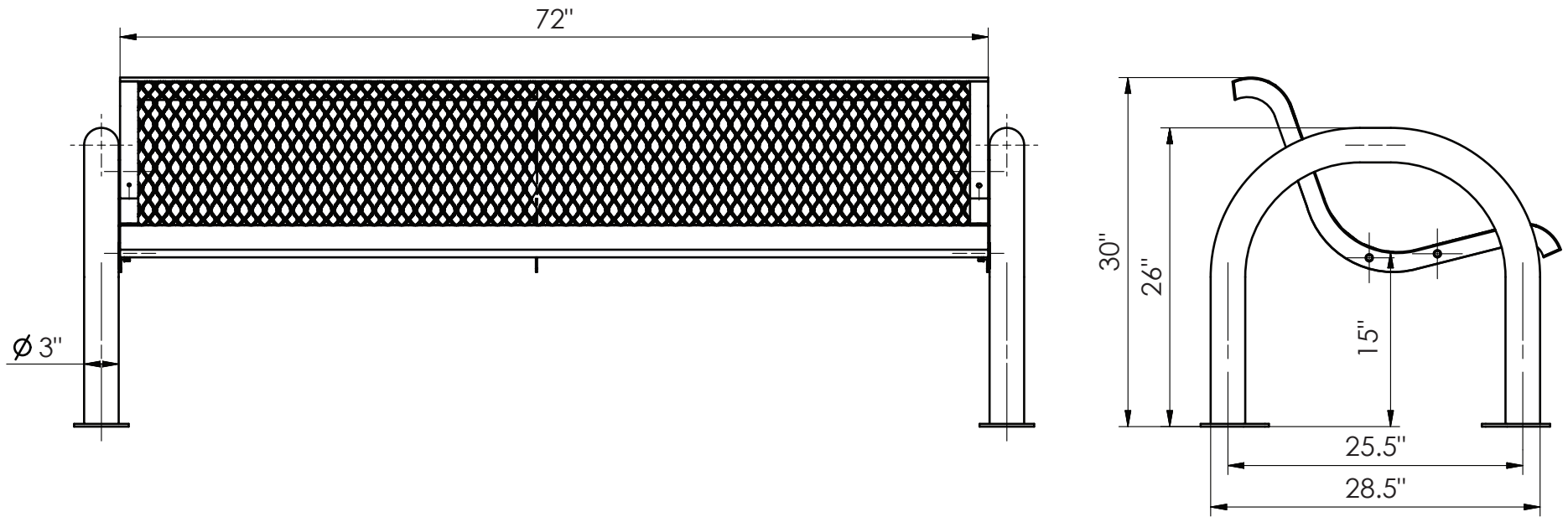


PREMIUM EXPANDED METAL BENCH



.....
TOTAL WEIGHT: 140 lbs
.....

NOTES: 1) Durable steel construction with rust-resistant finish
2) Pre-drilled for surface mount

