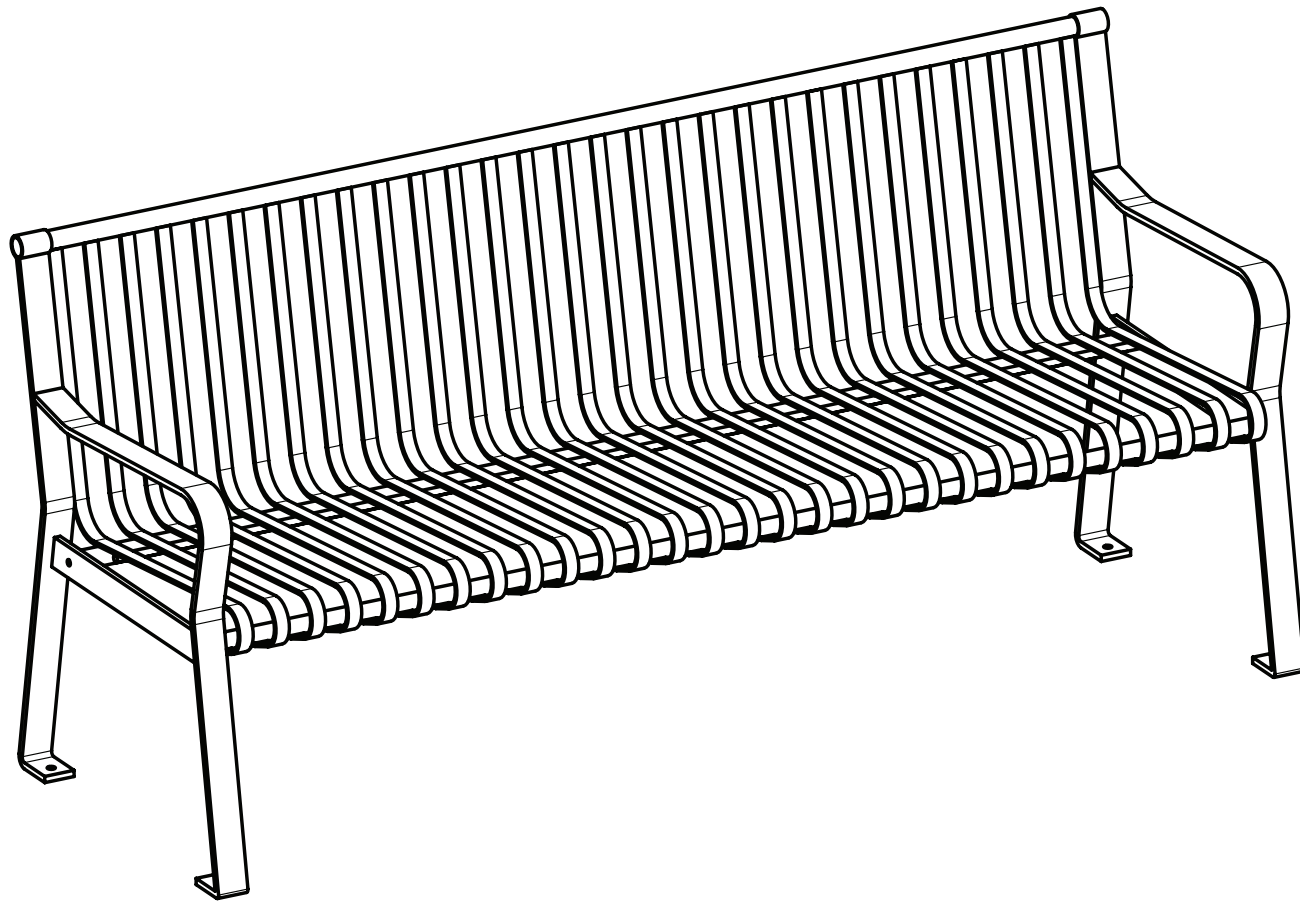


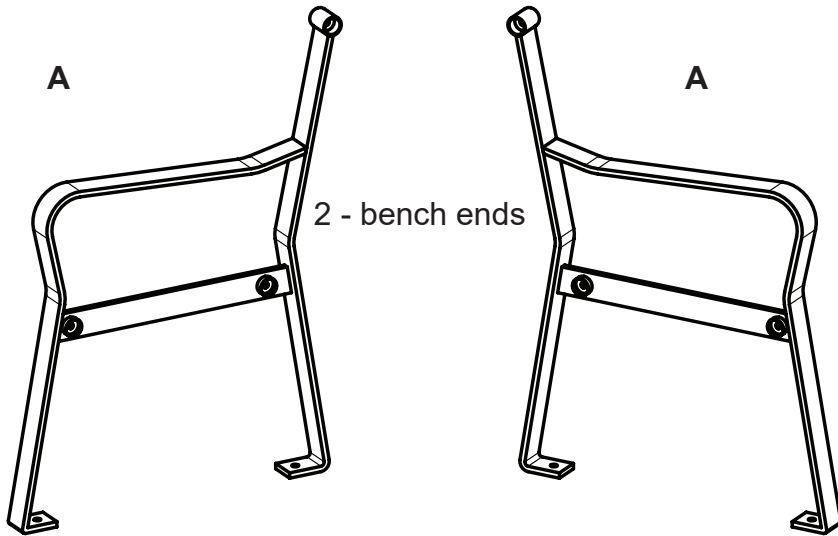
INSTRUCTIONS

Steel Slat Straight Back Park Bench



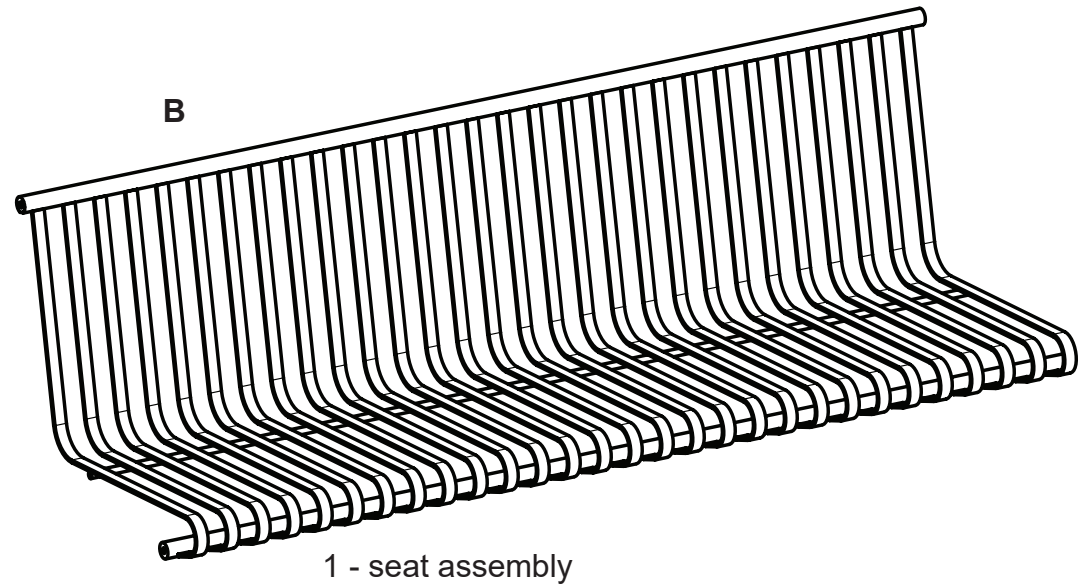
INSTRUCTIONS

Before assembly, please make sure all components & hardware are included.

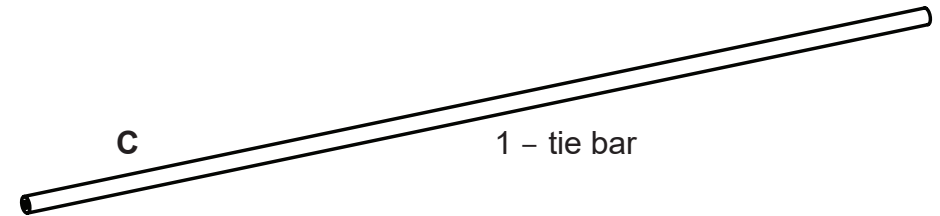


(1) Left end frame

(1) Right end frame



1 - seat assembly



1 - tie bar

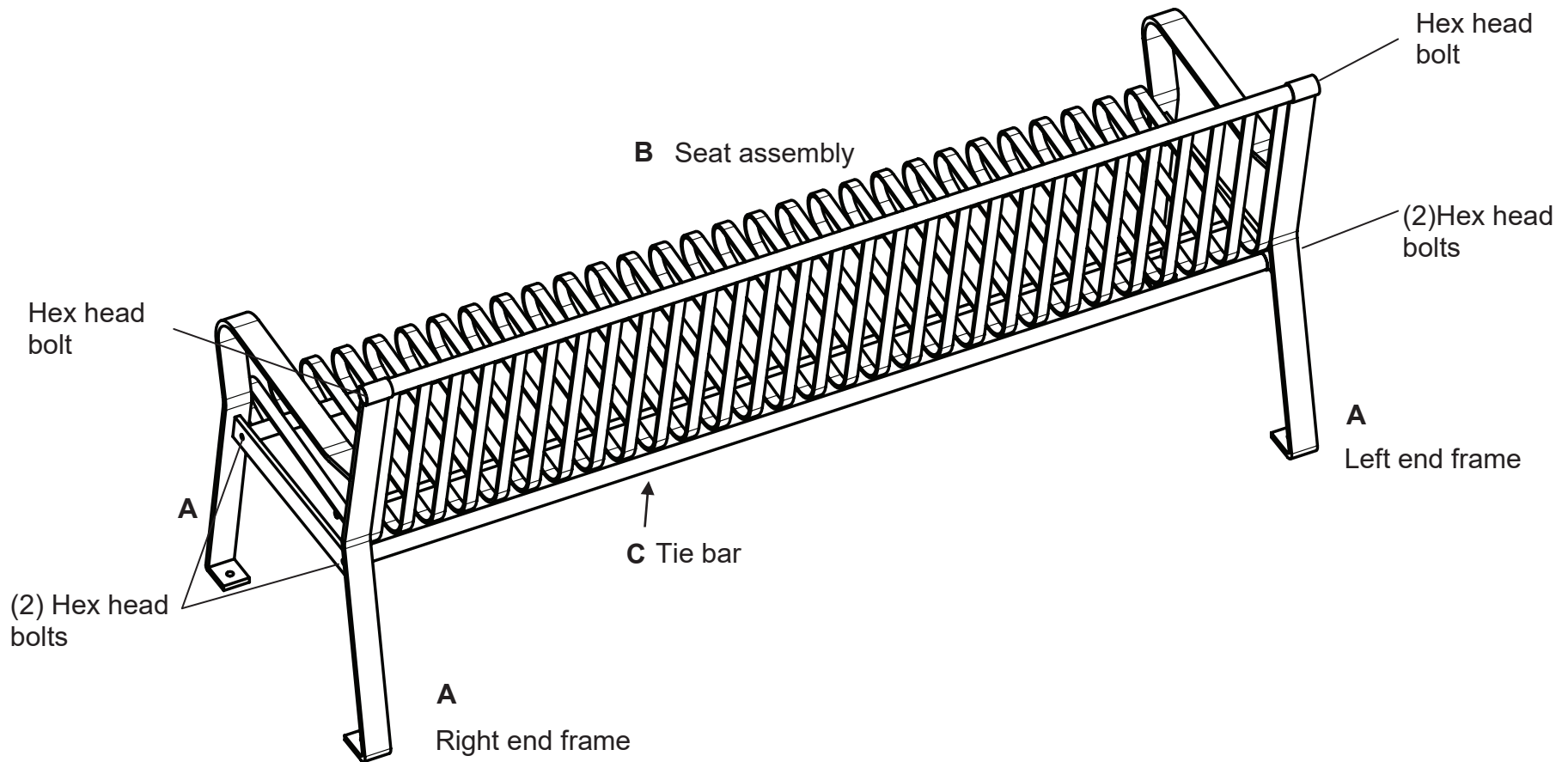
6 - 10mm x 28mm hex head bolts
6 - Washers
1 - Wrench

Step 1: Position the packing cardboard to form a protected work surface. Assembly requires two people. Place seat assembly on the cardboard on its backside and attach end frames to each end of the seat assembly at the front using 1 bolt and washer on each side.

Note: Keep all screws loose until bench has been completely assembled.

Step 2: Raise the seat assembly up to align the top holes and attach the end frames to the seat assembly using 1 bolt and washer per hole at the top.

INSTRUCTIONS



Step 3: Insert the tie bar into the back, bottom of each bench end. Screw in bolts enough to hold securely, but do not tighten. Make sure that the bench is square and level. Tighten all loose bolts to secure.