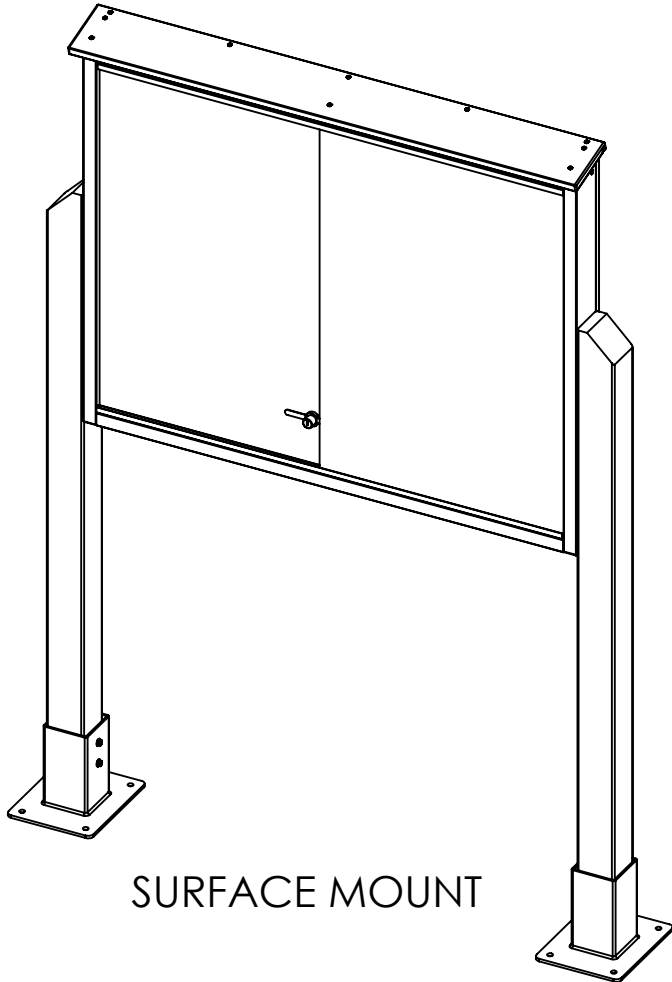
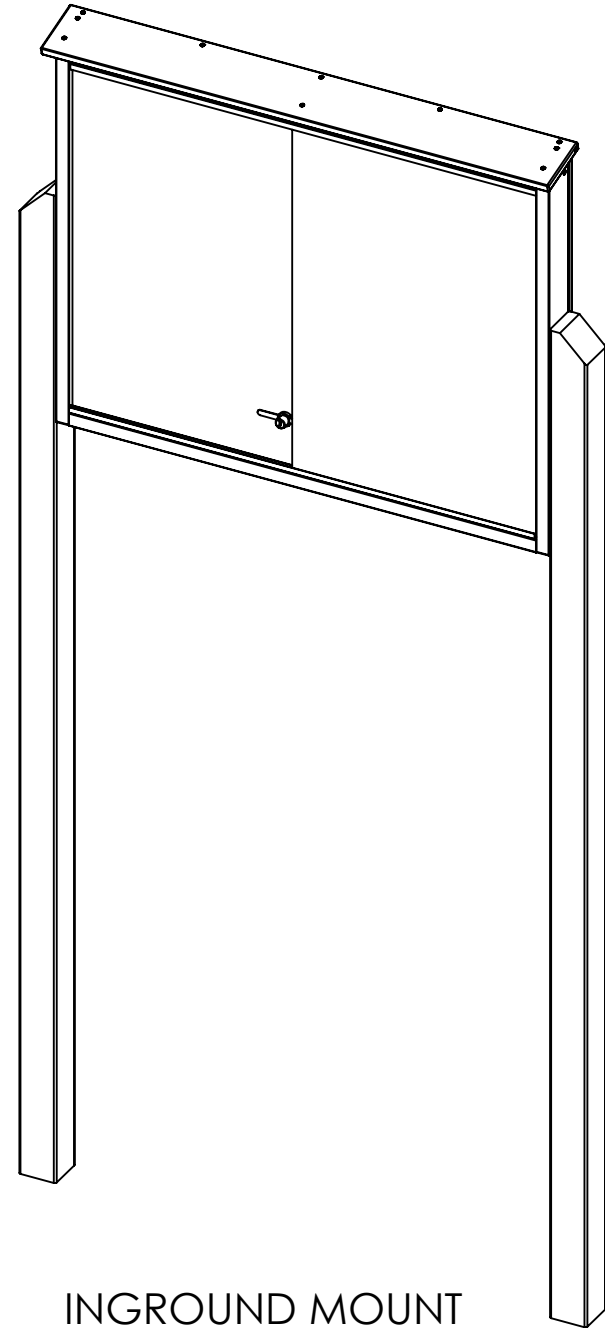


SUPERSAVER INGROUND & SURFACE MOUNT MESSAGE CENTER INSTRUCTIONS

MC5306 & MC5316
4/26/2019
REV #1

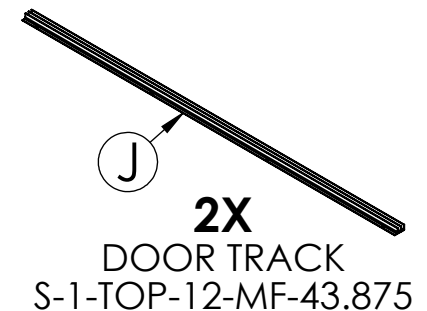
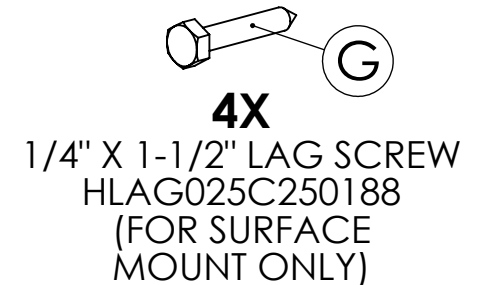
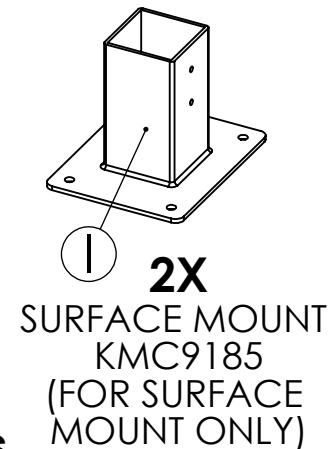
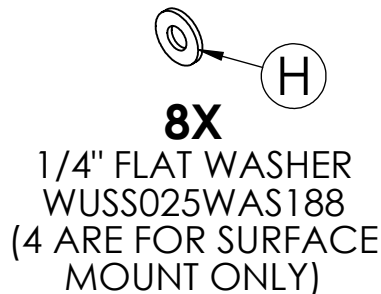
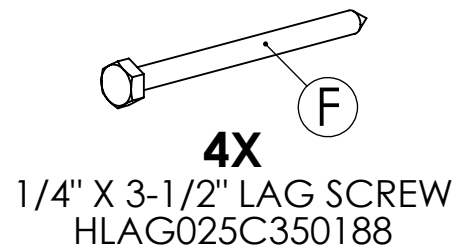
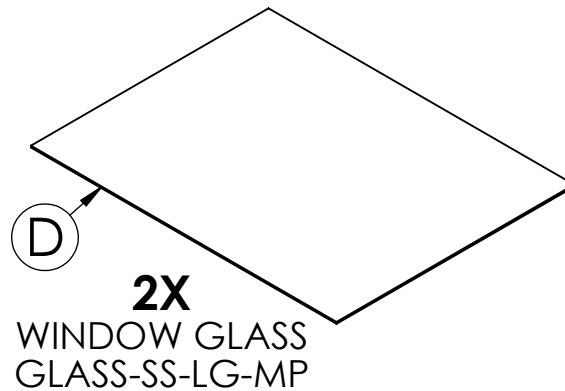
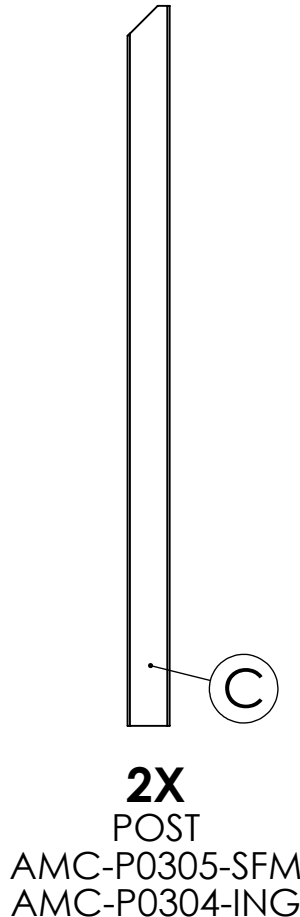
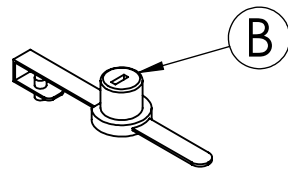
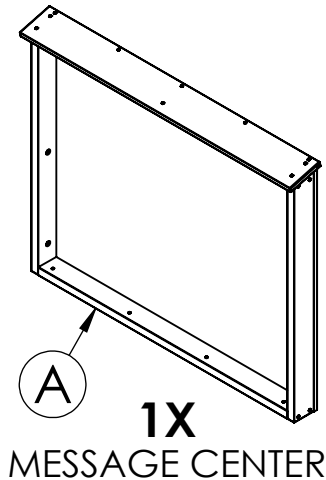


SURFACE MOUNT



INGROUND MOUNT

SUPERSAVER INGROUND & SURFACE MOUNT MESSAGE CENTER INSTRUCTIONS



REQUIRED TOOLS (NOT INCLUDED)

- 1 - 7/16" SOCKET
- 1 - SCREW GUN
- 1 - 1/4" DRILL BIT
- 1 - #2 PHILLIPS BIT
- 1 - LEVEL

OTHER REQUIRED MATERIALS FOR INGROUND MOUNTING (NOT INCLUDED)

- 2 - 80lb BAG OF SAKCRETE
- 1 - POST HOLE DIGGER
- GUIDE WIRES
- A FRIEND TO HELP

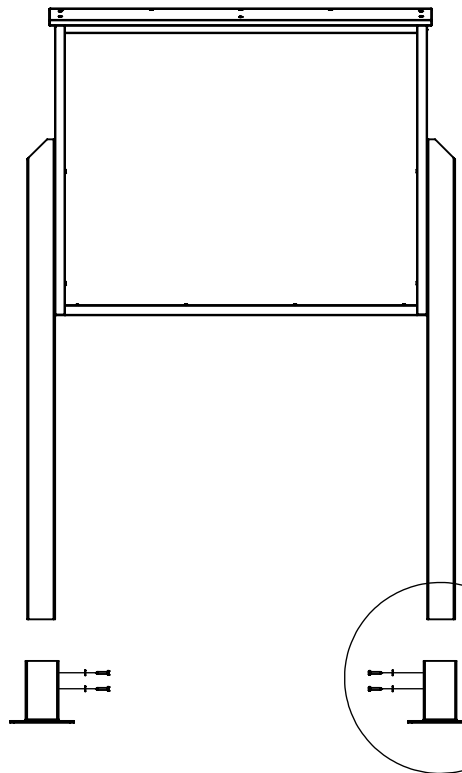
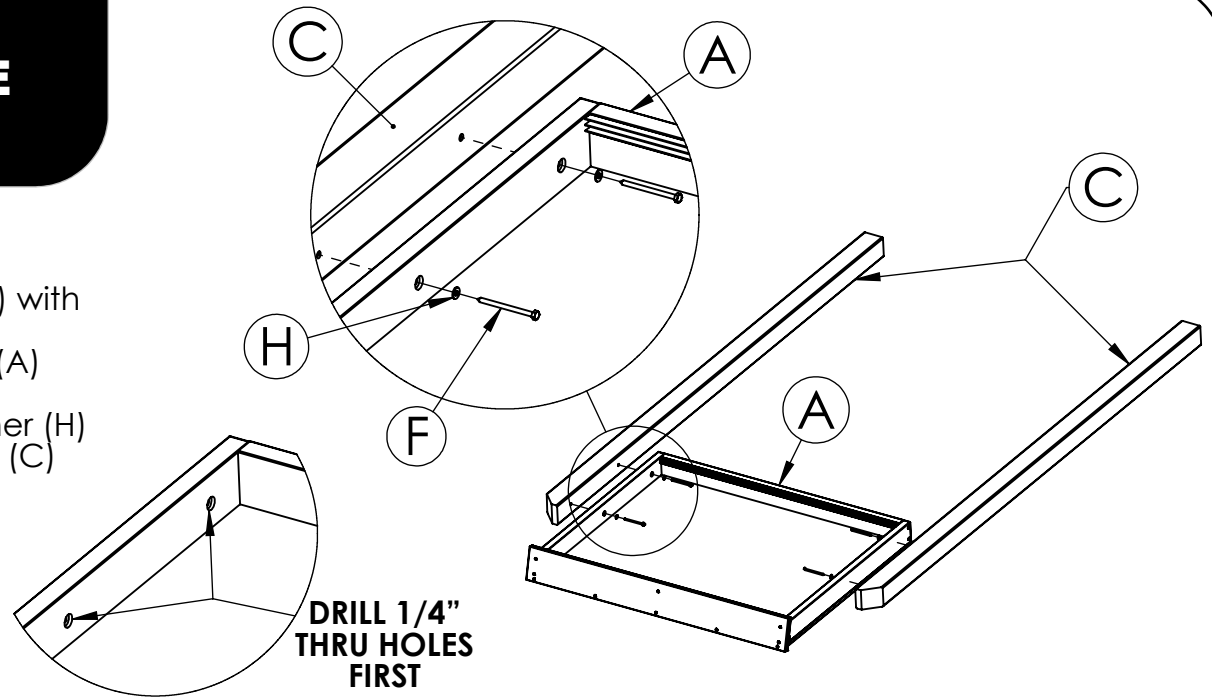
**COMPONENTS &
TOOLS REQUIRED
FOR ASSEMBLY**

2/7

SUPERSAVER INGROUND & SURFACE MOUNT MESSAGE CENTER INSTRUCTIONS

STEP #1

- A. Lay Message Center (A) on the ground
- B. Drill thru holes on sides of Message Center (A) with 1/4" drill bit See Detail
- C. Put posts (C) on the side of Message Center (A) with holes lining up to pilot holes on posts (C)
- D. Take 1/4 X 3-1/2" Lag Screw (F) put thru washer (H) thru Message Center (A) and screw into post (C)
- E. Repeat for other Lag Screws



STEP #2 (SURFACE MOUNT)

- A. Keep the Message Center with the posts attached on the ground
- B. Put the Surface Mount Bases (I) onto the post bottoms (C)
- C. Fasten the 1-1/2" Lag Screw (G) thru the washer (H) thru surface mount base (I) and screw into post (C)
- D. Repeat for other 3 Lag Screws (G)
- E. Lift properly into standing position
- F. Secure Surface mount bases to ground

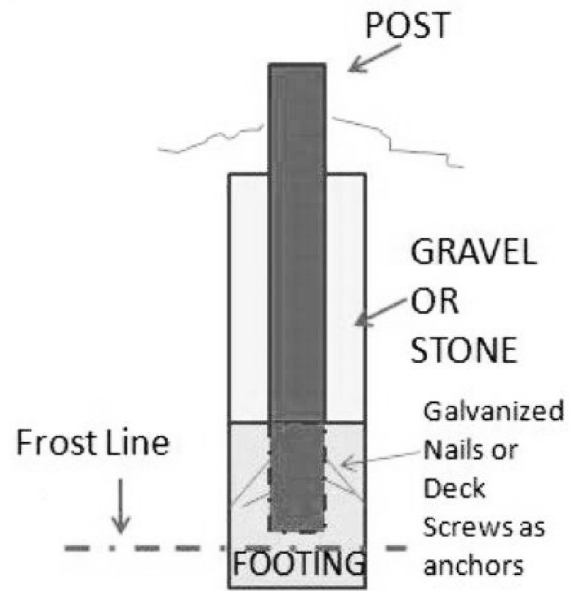
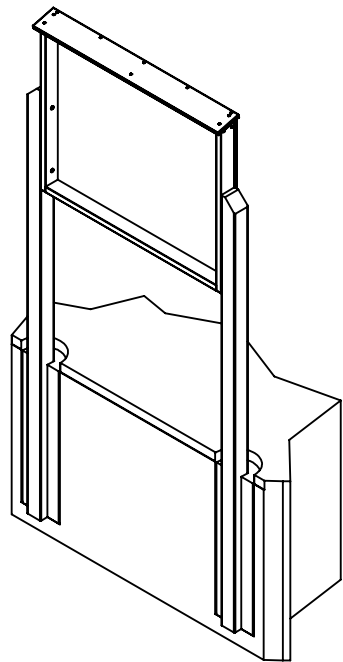
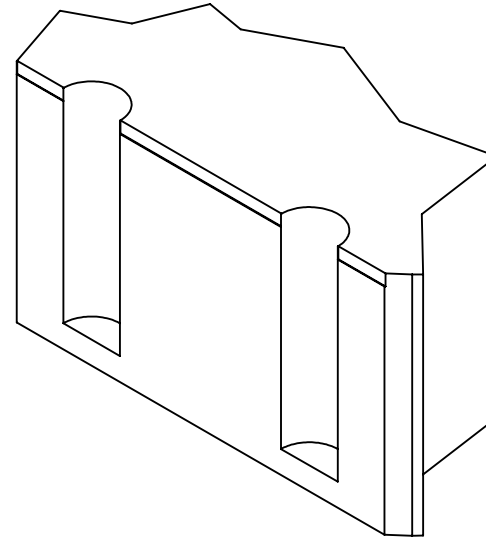
**ATTACH POST TO
MESSAGE CENTER**

3/7

SUPERSAVER INGROUND & SURFACE MOUNT MESSAGE CENTER INSTRUCTIONS

STEP #2-A (INGROUND MOUNT)

- A. Dig two holes, approximately 10" in diameter to a depth of 36" (or to building code / frost line)

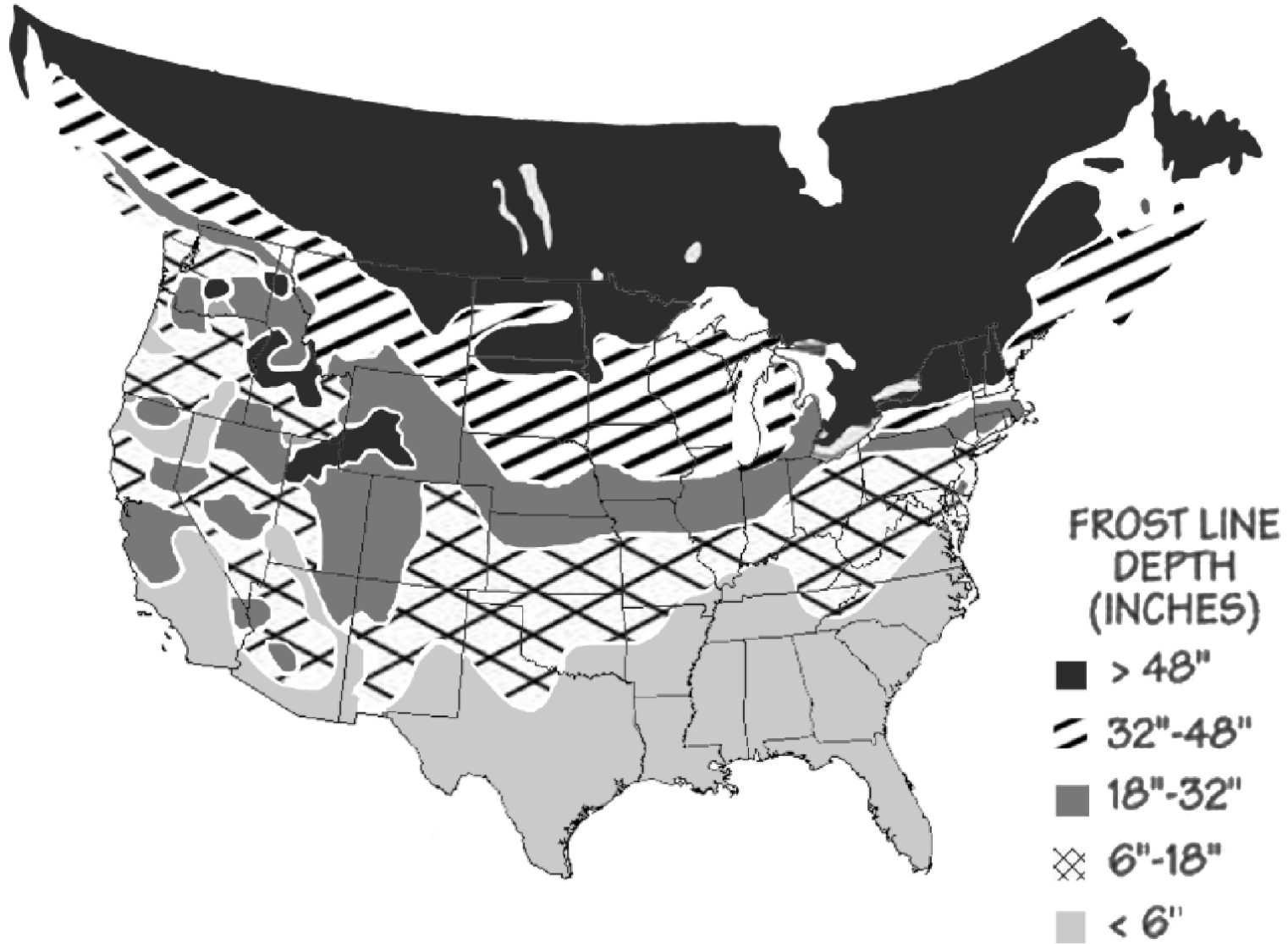


Post in Poured Concrete Footing

STEP #2-B (INGROUND MOUNT)

- A. Place post into holes.
B. Fill with Sakcrete to a level about 4" - 6" below ground level
C. Use guide wire to secure until Sakcrete is dry
D. Use a level to make sure Message Center is square and level

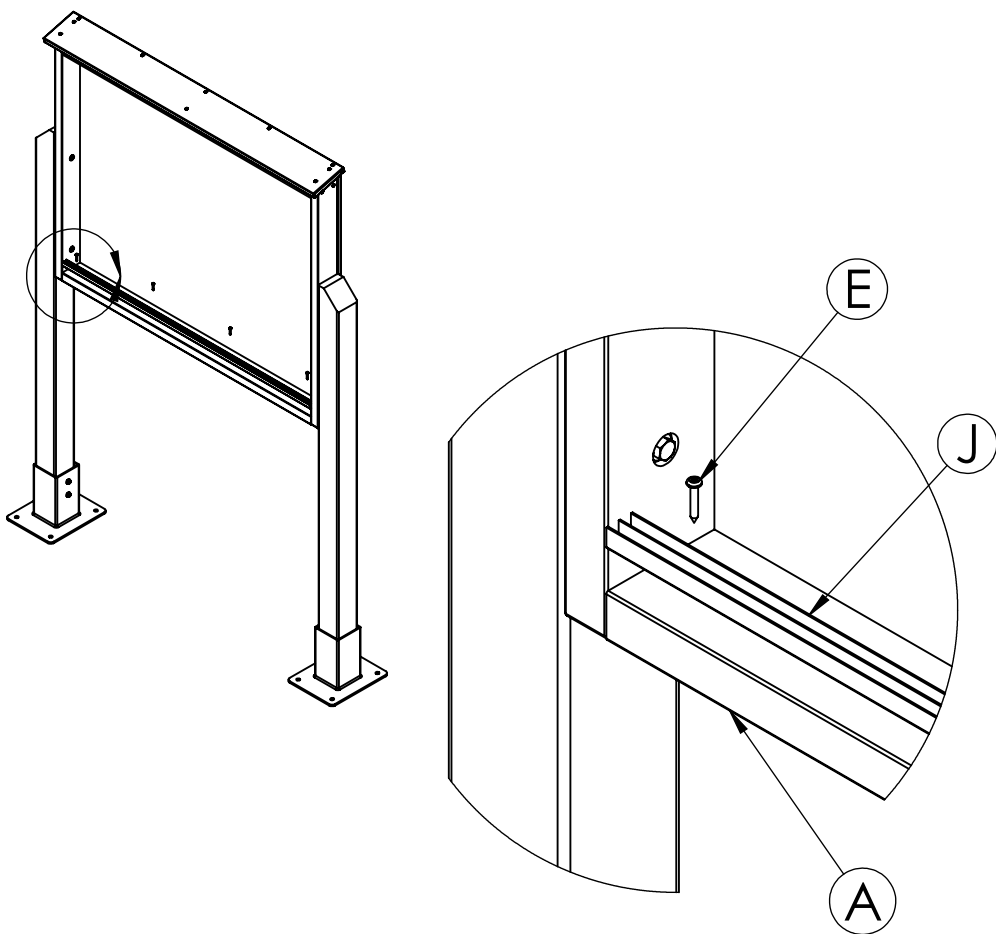
SUPERSAVER INGROUND & SURFACE MOUNT MESSAGE CENTER INSTRUCTIONS



SUPERSAVER INGROUND & SURFACE MOUNT MESSAGE CENTER INSTRUCTIONS

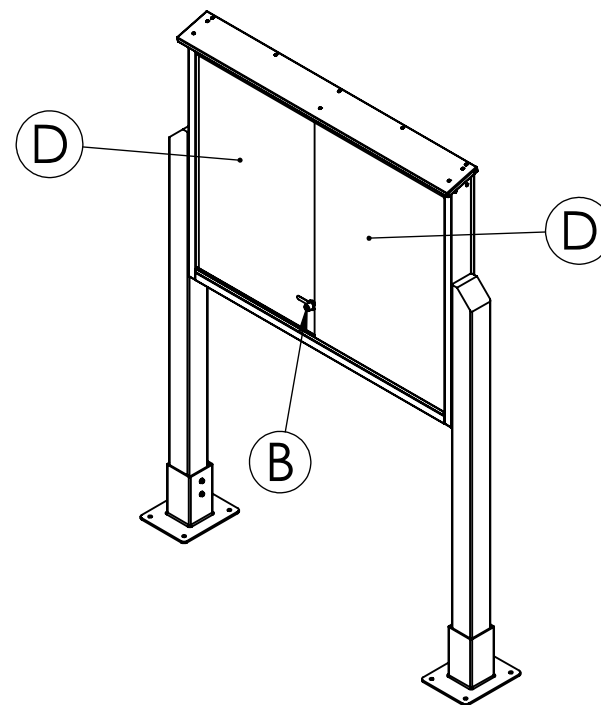
STEP #3

- Attach Door Tack (J) to Message Center (A) using #8 X 1" Phillip Pan Head Screws (E)
- Make sure door track is flush to the front of the Message Center (A)
- Repeat to attach upper track



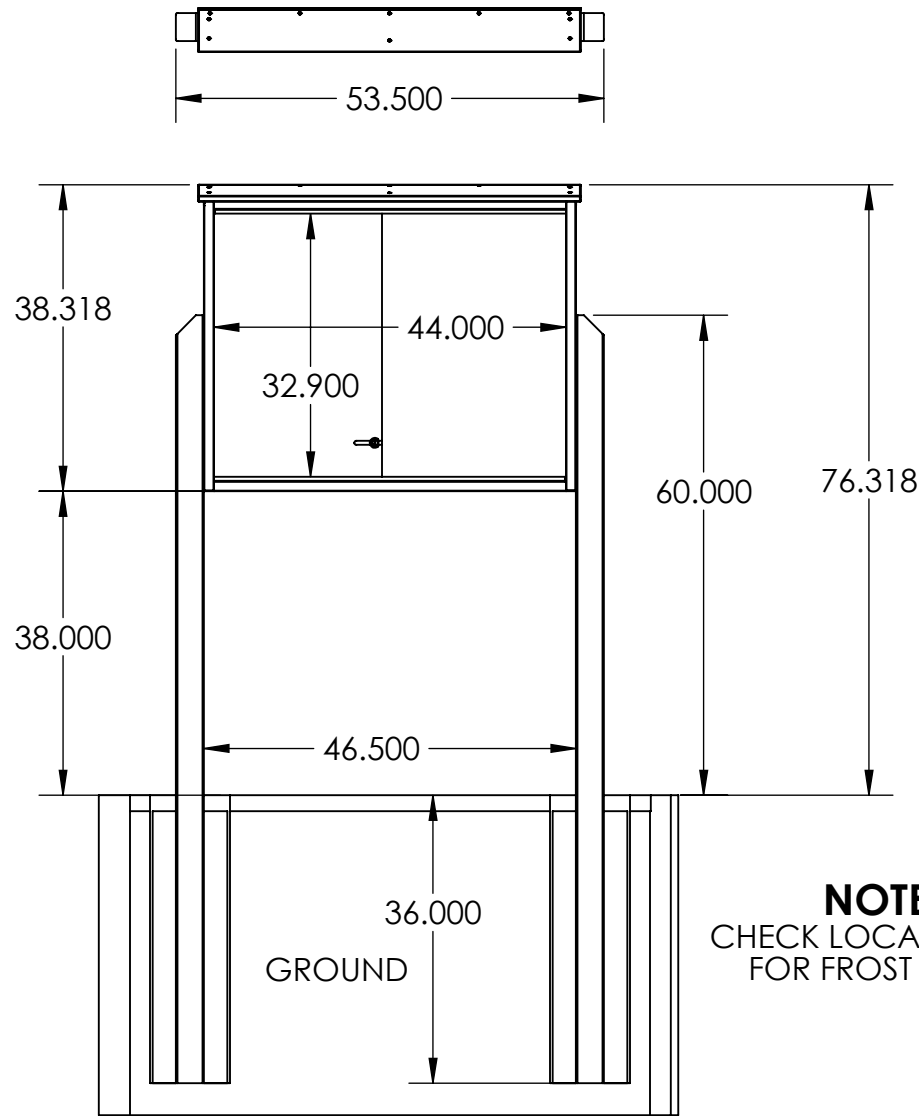
STEP #4

- Remove protective film from Window Glass (D)
- Gently Bend the Window Glass (D) into Door Track (J)
- Make sure one piece of Window Glass (D) is in the rear track, and one piece is in the front track
- Attach Sliding Lock (B) set screw to Window Glass (D) by tightening in desired lock location
- Secure Windows by locking the Sliding Lock (B)

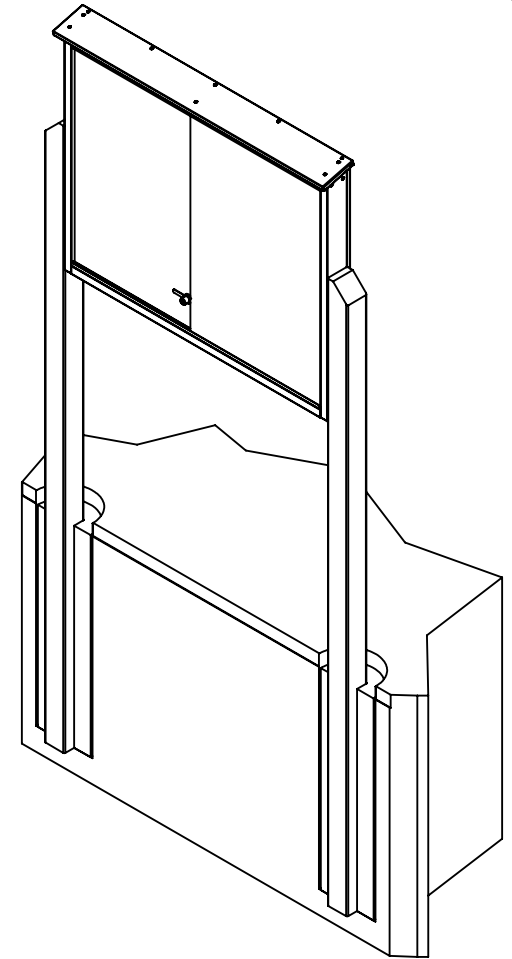
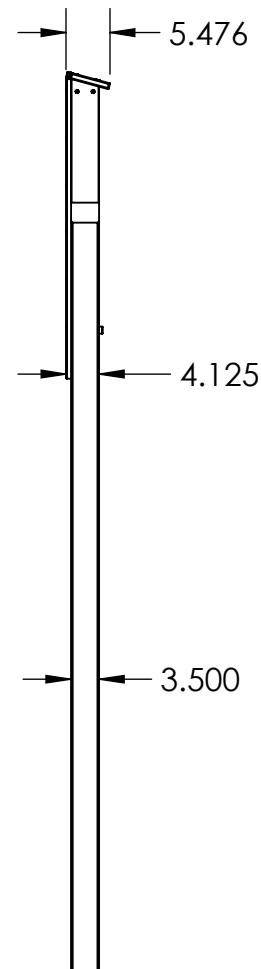


SUPERSAVER INGROUND & SURFACE MOUNT MESSAGE CENTER SPECIFICATIONS

MC5306 INGROUND MOUNT
4/26/2019
REV #1



NOTE:
CHECK LOCAL CODES
FOR FROST DEPTH



ALL DIMENSIONS SHOWN IN INCHES