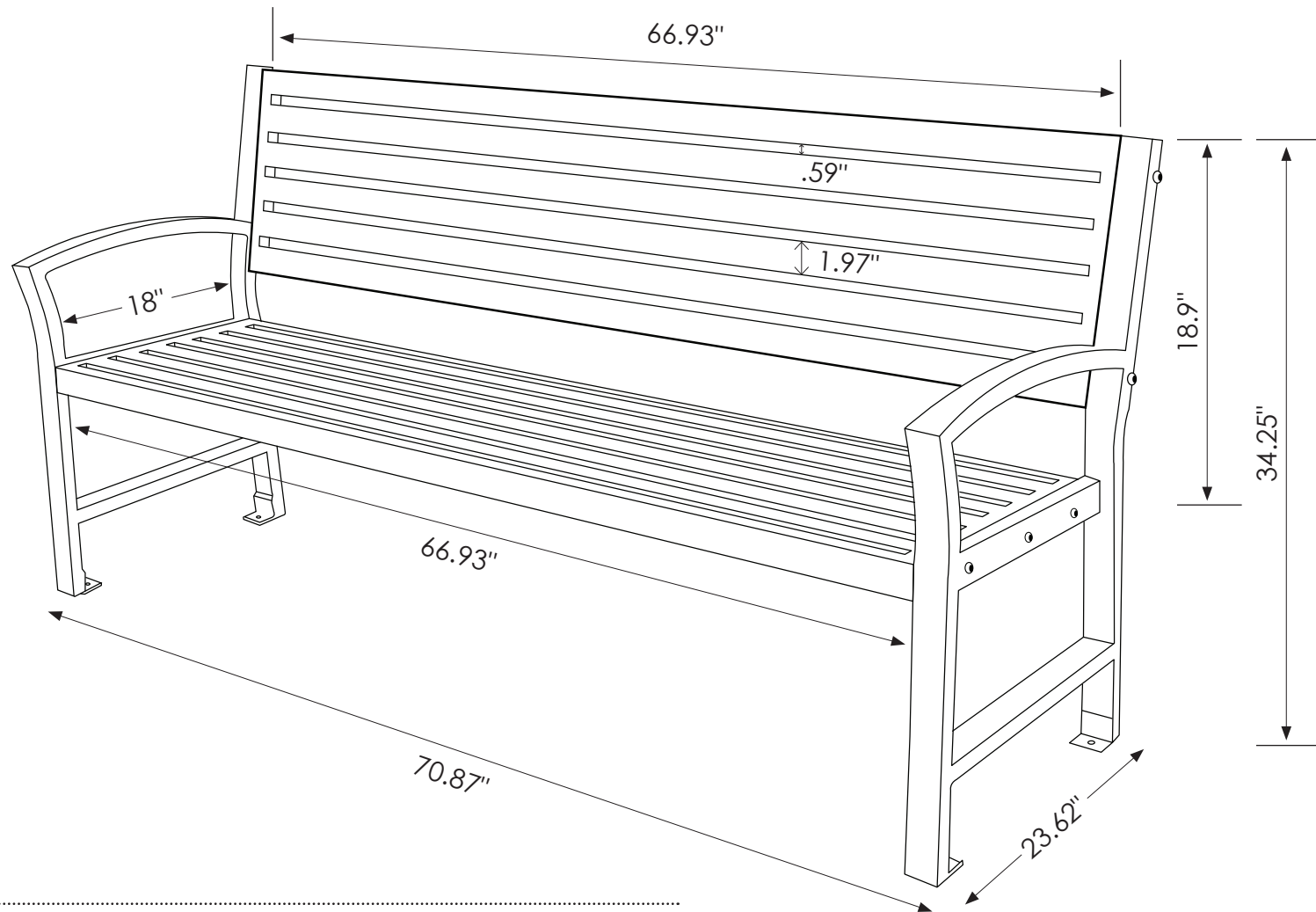


6 FT. STEEL SLATTED BENCH SPECIFICATIONS



.....
TOTAL WEIGHT: 132 lbs
.....

- NOTES:**
- 1) Material: 14-gauge steel
 - 2) Coating: Rust-corrosion-resistant primer and powder-coating
 - 3) Stainless steel assembly hardware included
 - 4) Mounting hardware not included