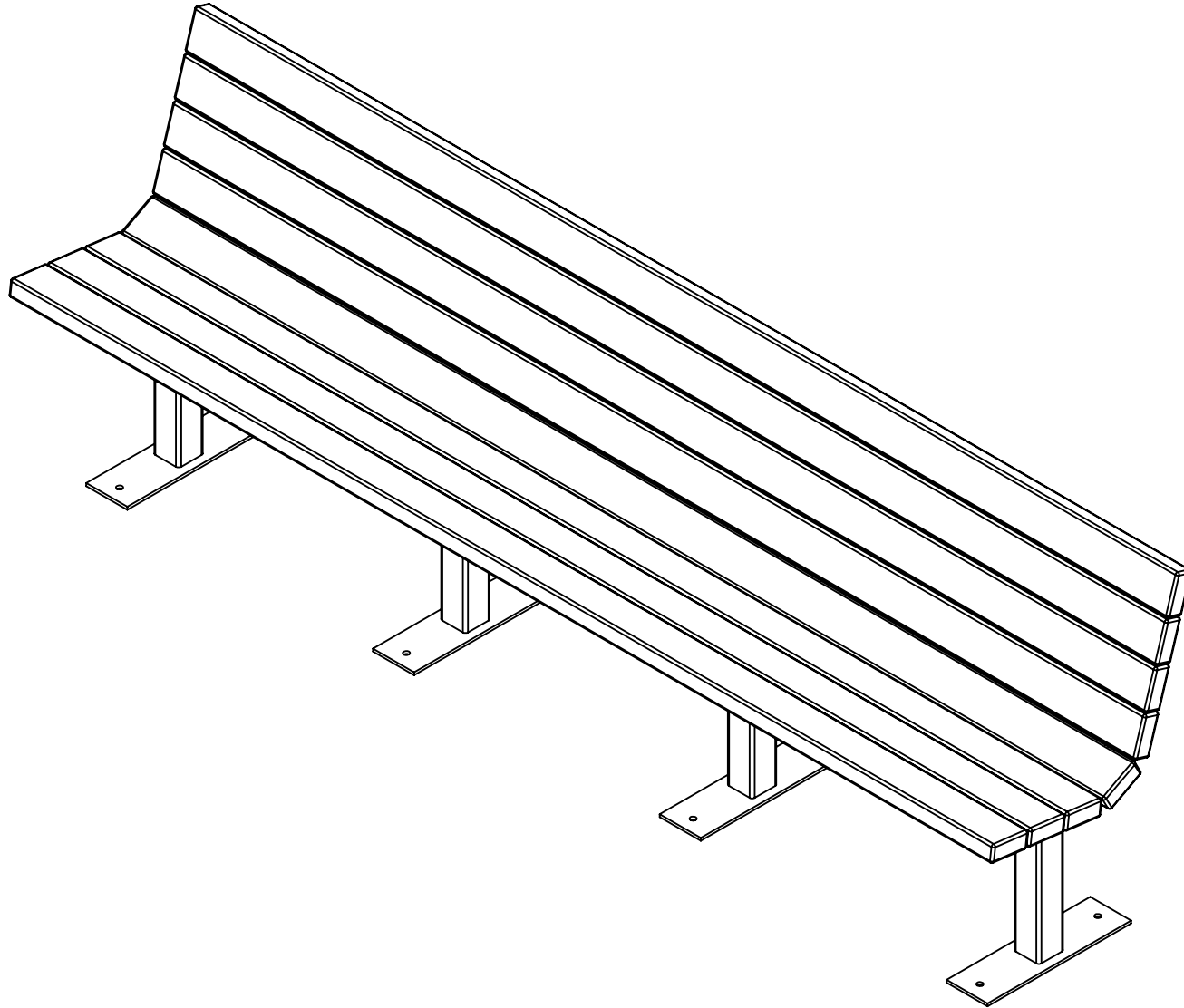


# BENCH INSTRUCTIONS

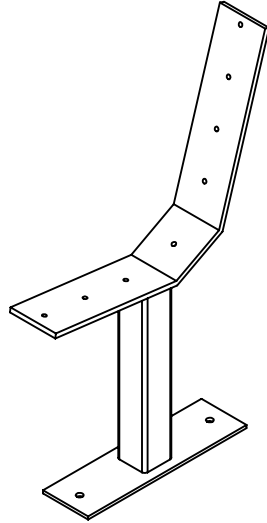
## BC1330

REV# 2 7-15-2016

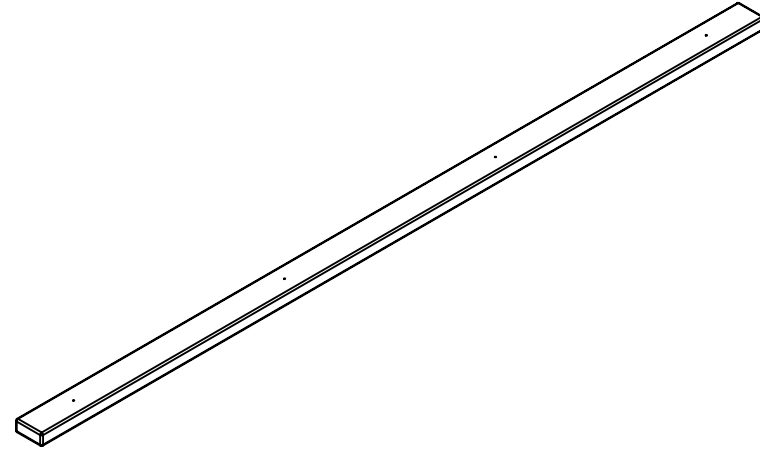


# BENCH INSTRUCTIONS

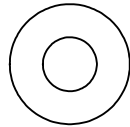
## BC1330



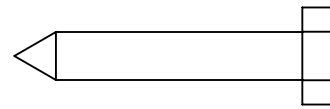
BENCH END  
ABC-SSI1015  
X4



SEAT SLAT  
X8



1/4" FLAT WASHER  
X32  
F0001



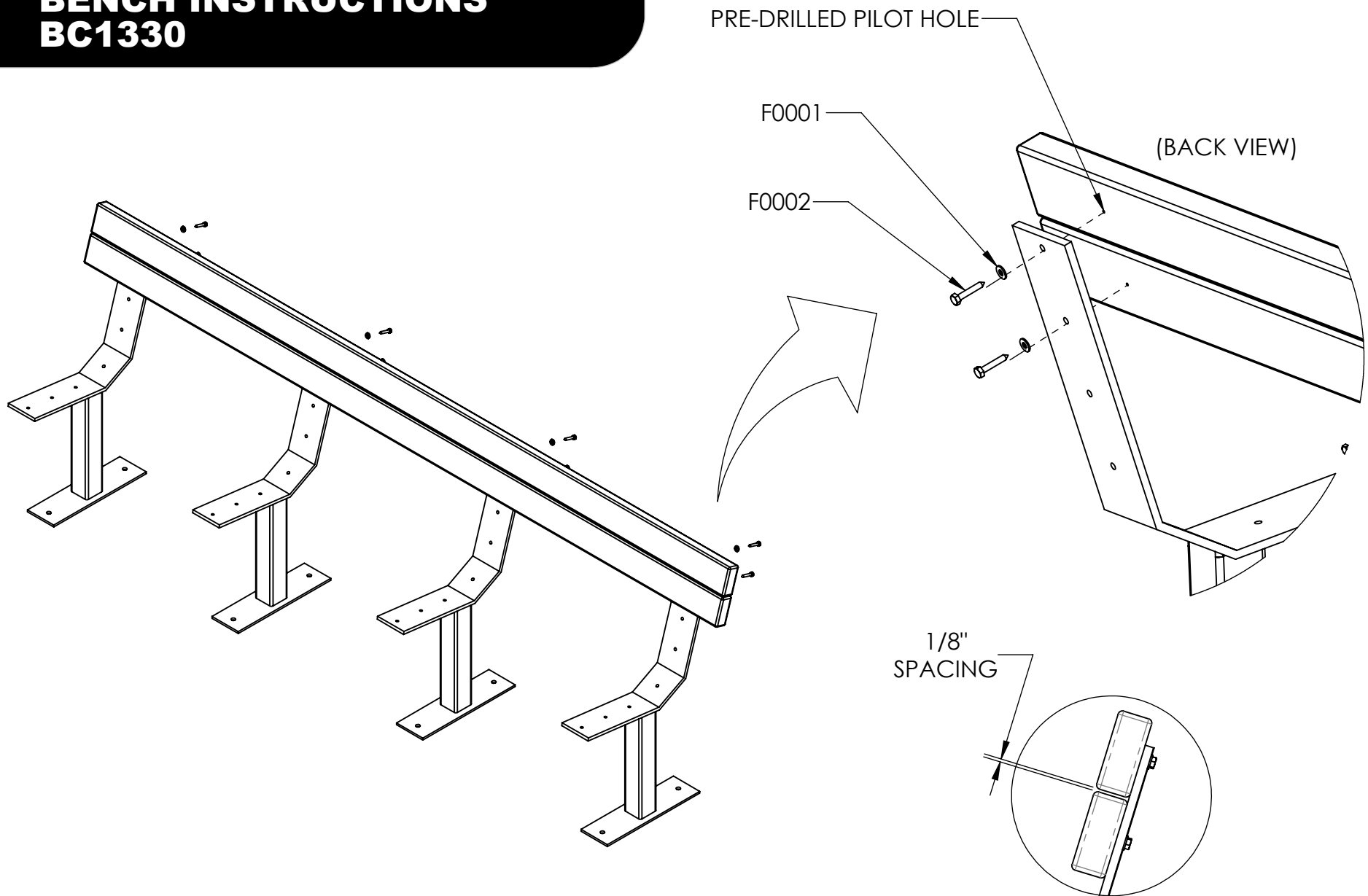
1/4" X 1.50" LAG SCREW  
X32  
F0002

**REQUIRED TOOLS:**  
-(1) SCREW GUN  
-(1) 7/16" SOCKET

**INCLUDED HARDWARE &  
REQUIRED TOOLS FOR  
ASSEMBLY**

# BENCH INSTRUCTIONS

## BC1330

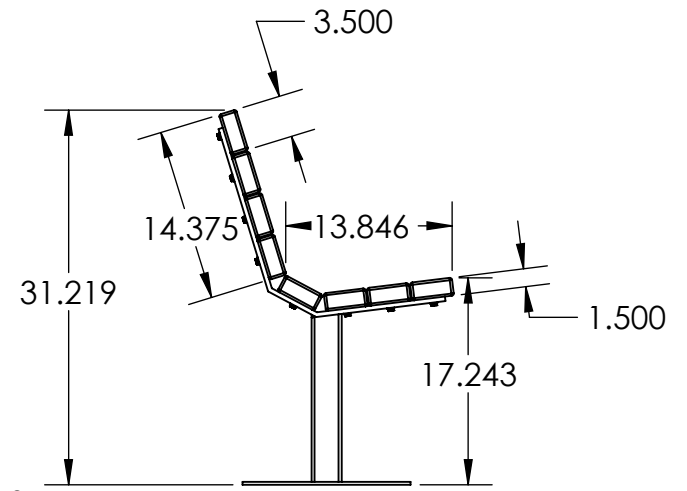
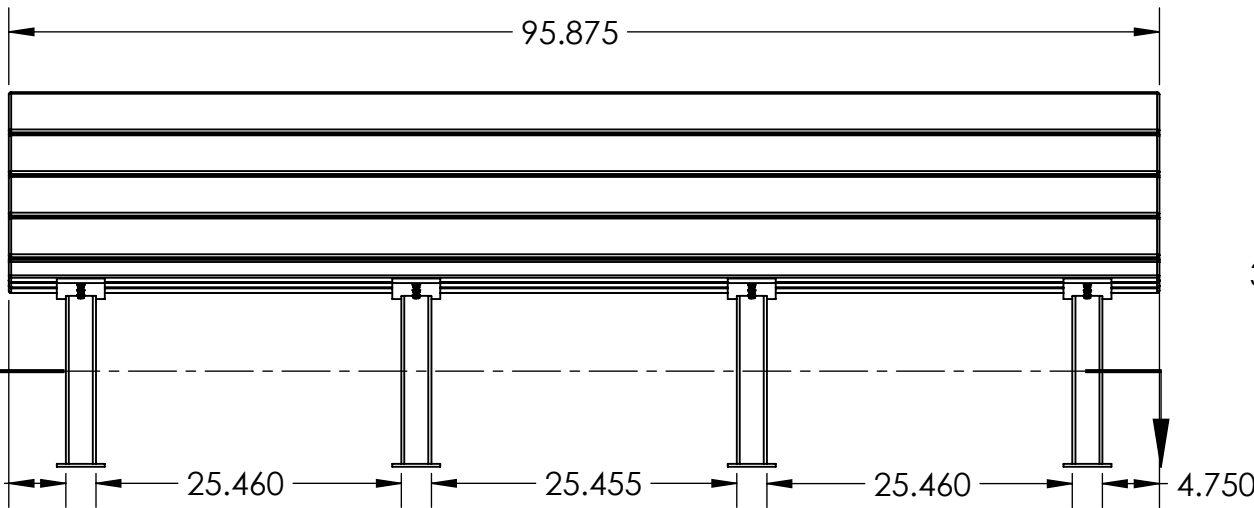
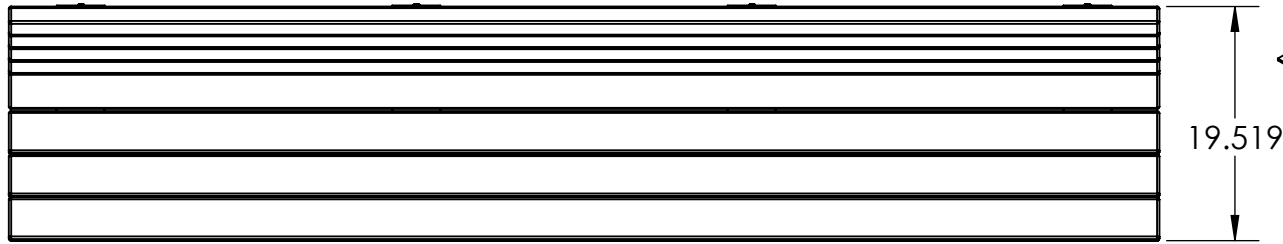
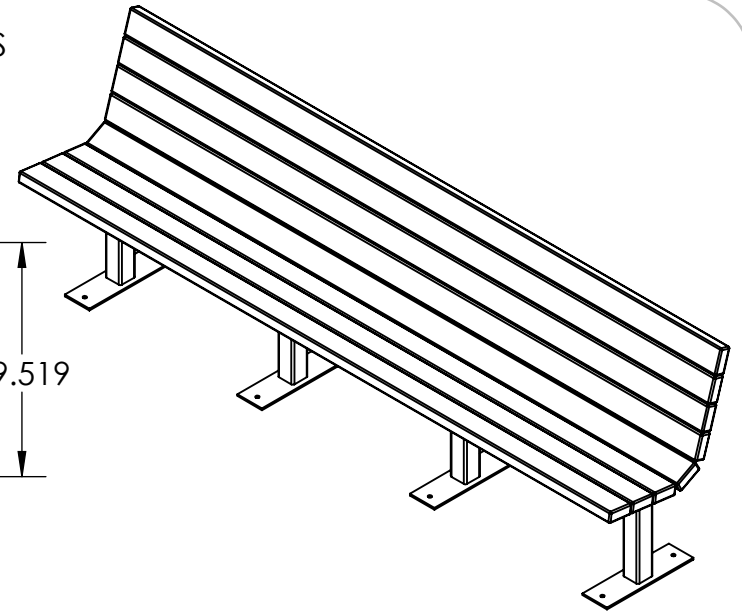


**KEEP SPACING BETWEEN BOARDS  
APPROXIMATELY 1/8"**

**REPEAT STEPS FOR REMAINING SEAT  
SLATS**

# BENCH SPECIFICATIONS BC1330

ALL DIMENSIONS SHOWN IN INCHES



**CONSTRUCTION MATERIALS:**  
Recycled Plastic, Powder Coated Steel  
**HARDWARE:**  
Stainless Steel

## MOUNTING DETAIL

