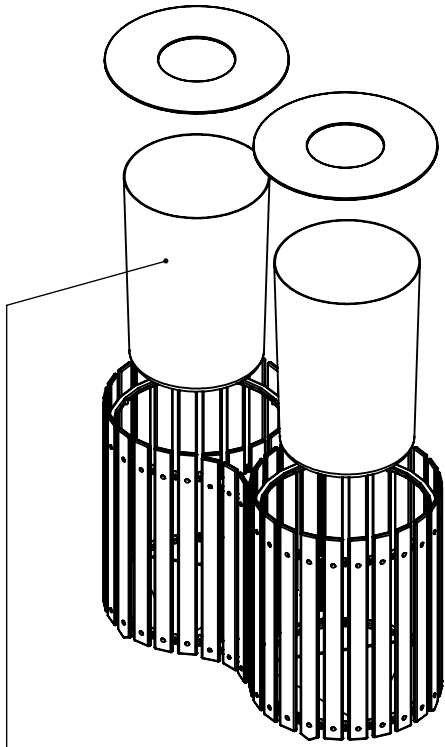


TWO 32 GALLON TOP LOAD ROUND TRASH RECEPTACLE

UNLOADING DETAILS



32 GALLON LINER
INCLUDED

CONSTRUCTION MATERIALS:

SLATS - 1/2 X 2 1/2 RECYCLED PLASTIC LUMBER

FRAME - RECYCLED PLASTIC LUMBER

HARDWARE:

STAINLESS STEEL, ALUMINUM

WEIGHT:

104 LBS/ 47.27 KG

