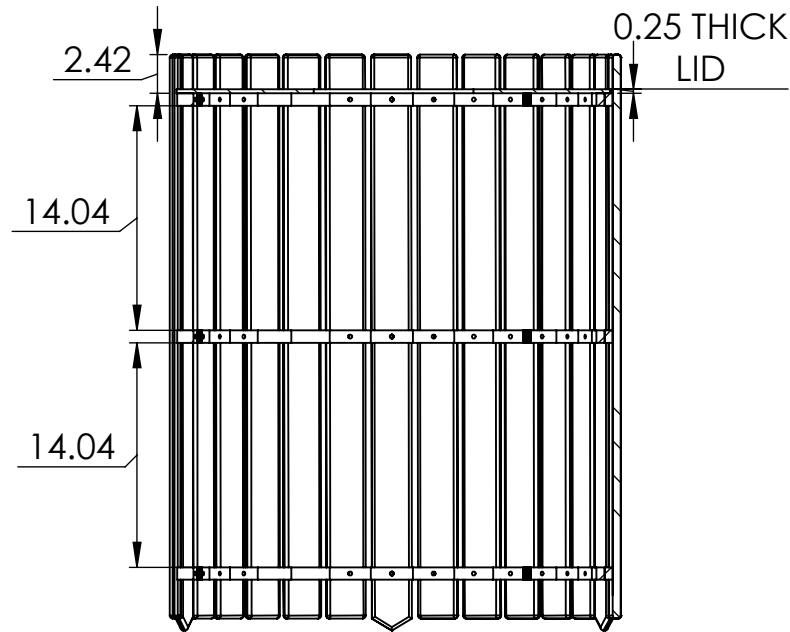
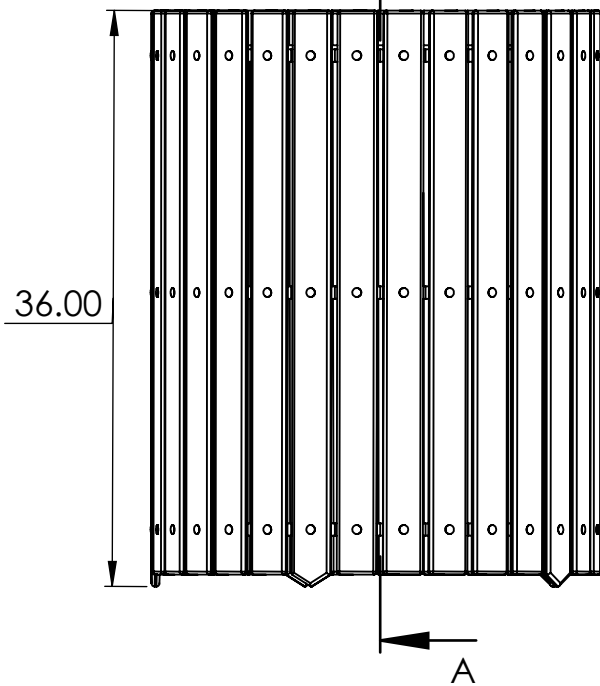
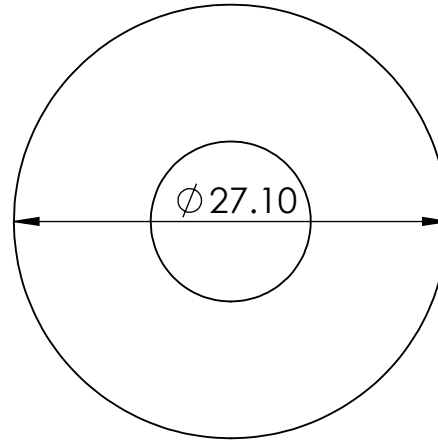
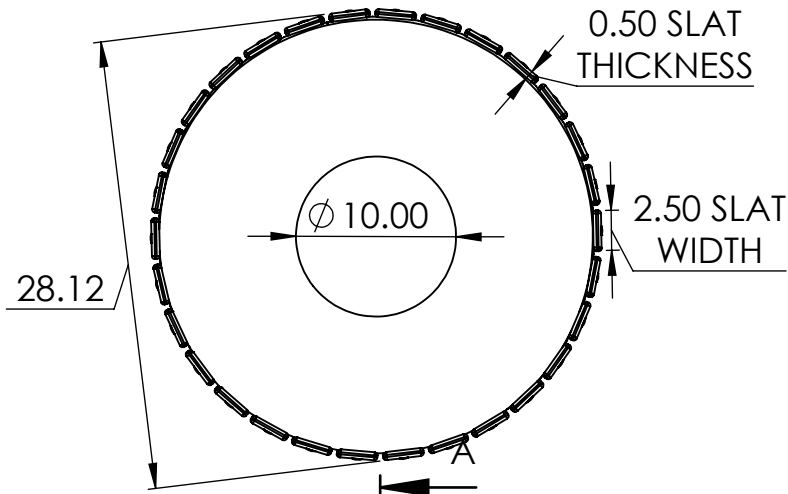
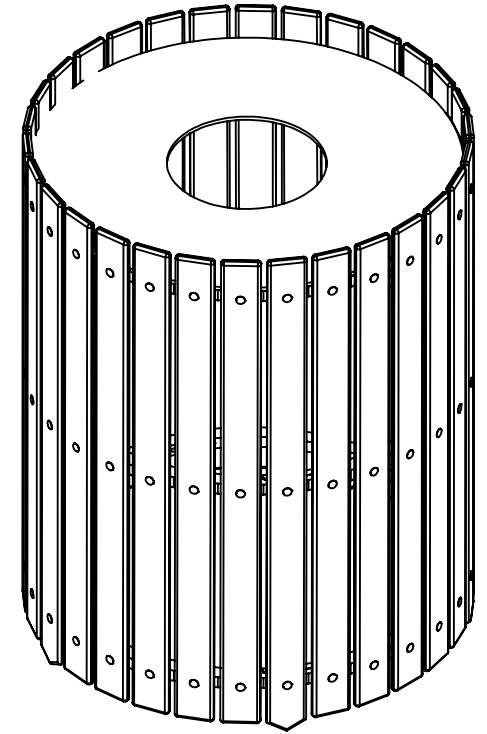


45 GALLON TOP LOAD ROUND TRASH CONTAINER

REV #4
4/7/2023



SECTION A-A
SCALE 1 : 12



CONFIGURATION:
LINER - 45 GALLON
LID - FLAT
LOAD - TOP

CONSTRUCTION MATERIALS:
SLATS - 1/2 X 2 1/2 RECYCLED PLASTIC LUMBER
FRAME - RECYCLED PLASTIC LUMBER

HARDWARE:
STAINLESS STEEL, ALUMINUM