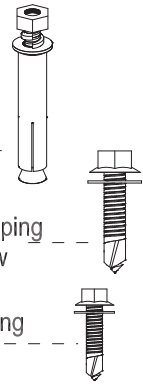


# INSTRUCTIONS

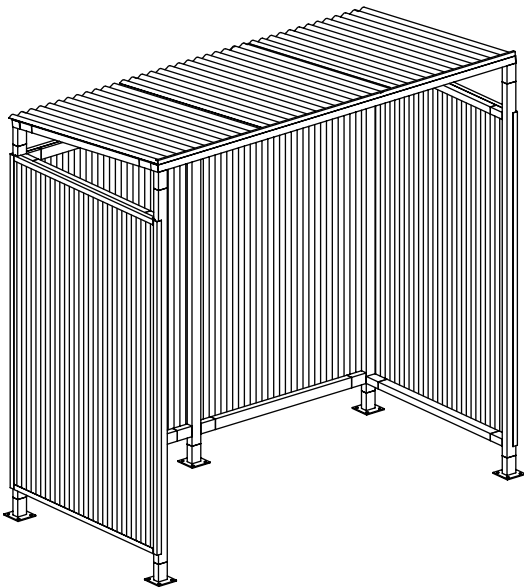
## BUS/SMOKING SHELTER

CONTENTS			CONTENTS		
REF	QTY	DESCRIPTION	REF	QTY	DESCRIPTION
1	5	FOOT	13	1	REAR CENTER TRIM
2	2	FRONT PILLAR	14	4	SIDE CORNER TRIM
3	2	REAR CORNER WALL PILLAR	15	4	SIDE UPPER TRIM
4	4	SIDE CROSS BAR	16	3	ROOF PANEL
5	1	REAR CENTER WALL PILLAR	17	4	TUBE COVER
6	4	REAR CROSS BAR			
7	1	REAR ROOF CROSS BAR			
8	4	ROOF CROSS BAR	H1	10	Floor Anchor
9	1	FRONT ROOF CROSS BAR			
10	4	WALL PANEL	H2	80	M5.5X30mm Self Tapping Sheet Metal Screw
11	2	REAR UPPER TRIM			
12	2	REAR UPPER TRIM	H3	80	M4X20mm Self Tapping Sheet Metal Screw



### ATTENTION:

Prior to installation, consult with all local municipal codes regarding installation of temporary shelters. Choose the location of your shelter carefully. Check for overhead utility lines, tree branches or other structures. Check for underground pipes or wires before anchoring to the ground.

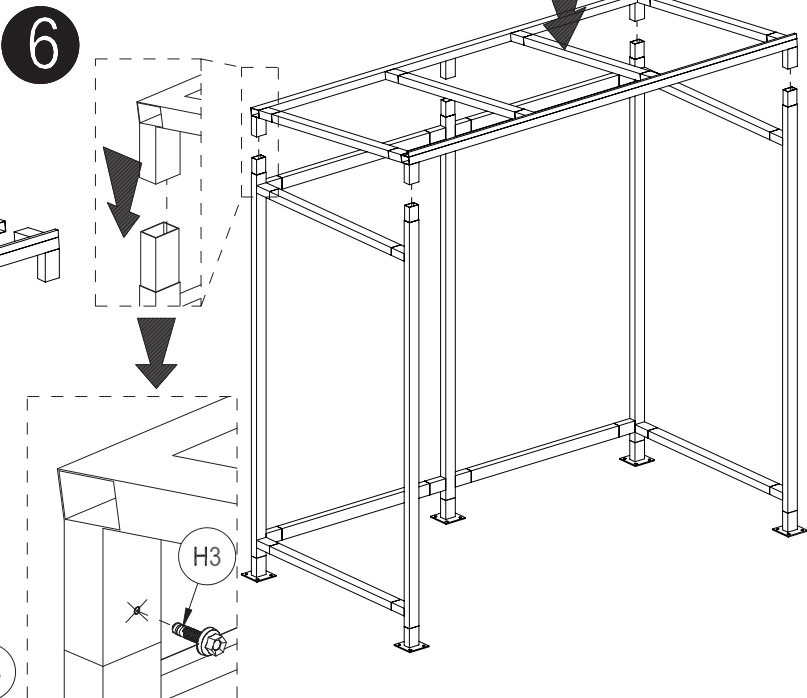
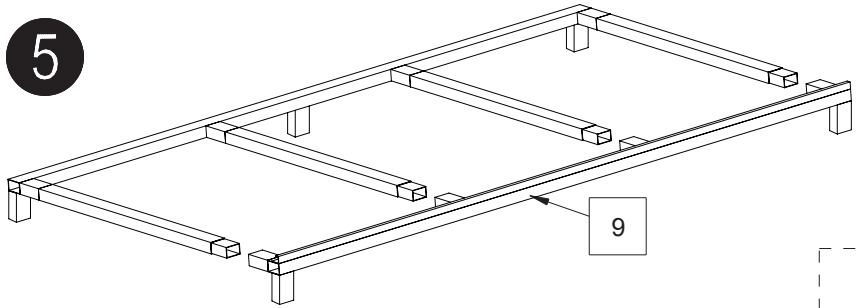
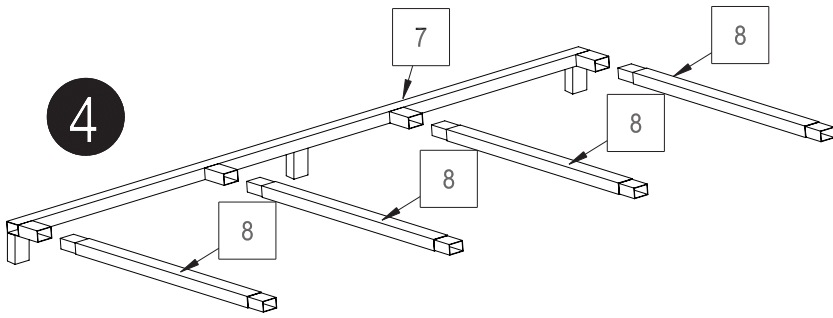
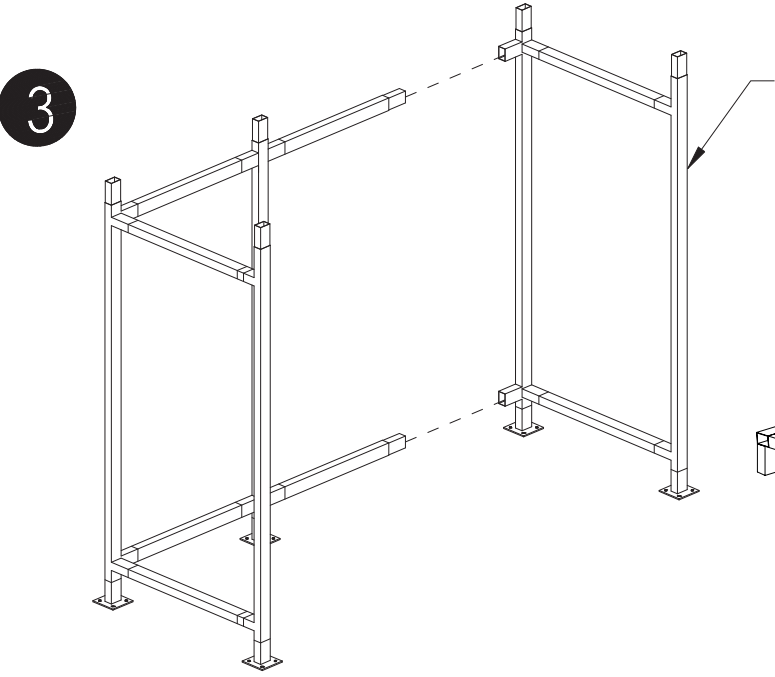
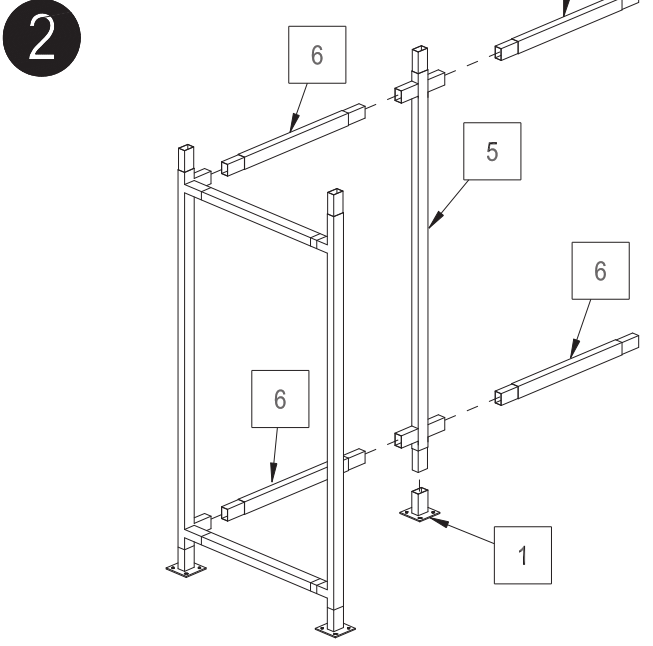
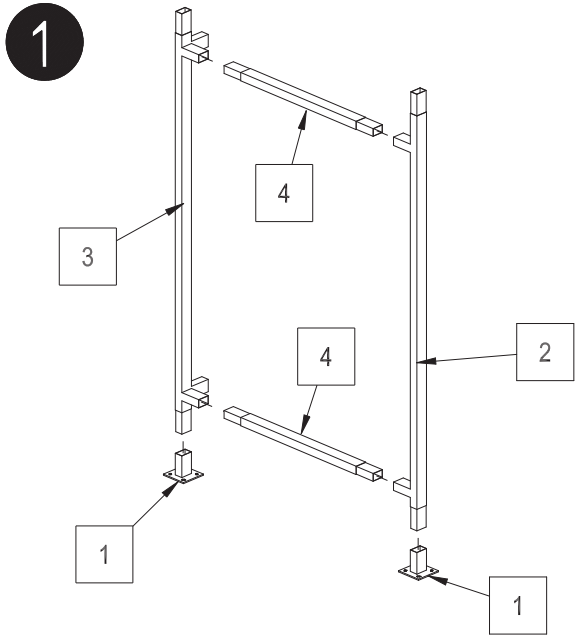


### ⚠ WARNING.

**Anchor the shelter to the ground before use. Periodically check the anchors to ensure stability of the shelter. Keep away from electrical wires.**

Use extreme caution when erecting the frame. Avoid using a high torque setting when drilling. The high torque can possibly crack the plexi-glass panels. DO NOT hang objects from the roof or cross bars. DO NOT install near roof lines or other structures that could shed snow, ice, or excessive run off onto your shelter. DO NOT perform any modifications to the shelter

**\*\*\*At least 2 people are required for assembly\*\*\***



Secure all joints using H3

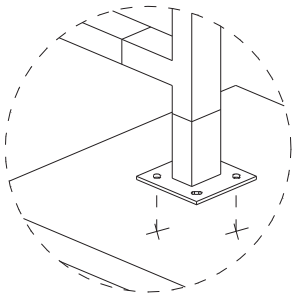
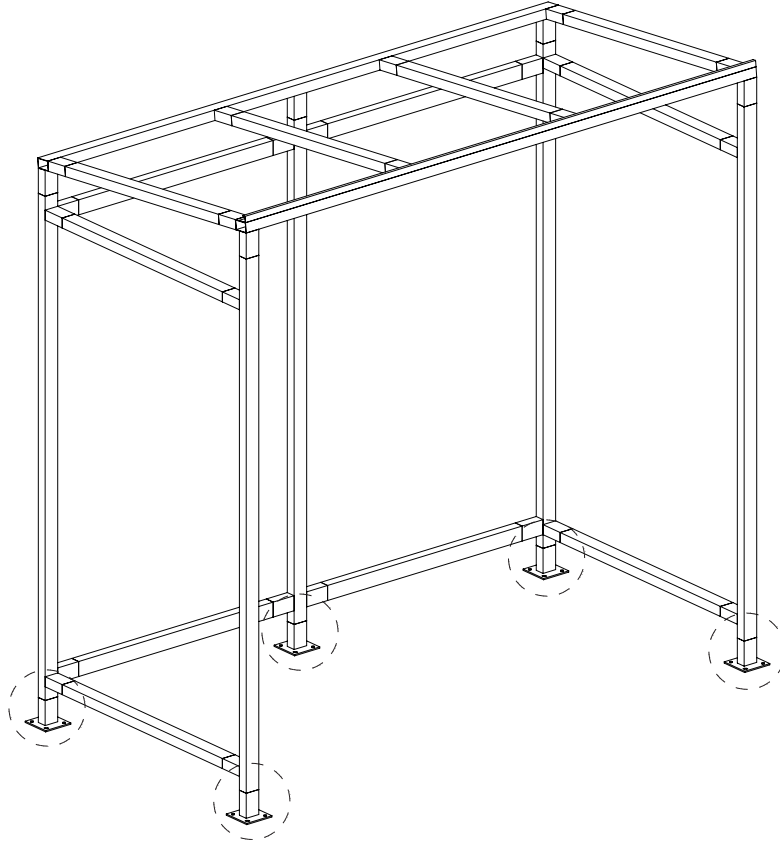
## Floor Anchoring Guide

### SUGGESTION:

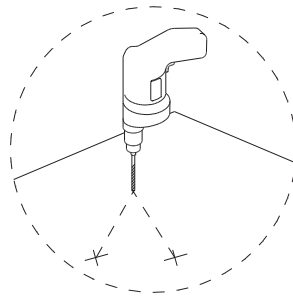
It would be easiest to start the floor anchoring process after completing step 6.

### ATTENTION:

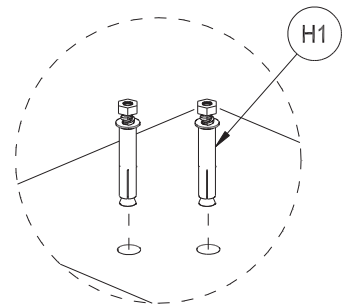
Choose the floor anchoring location carefully. Check for underground pipes or wires before floor anchoring.



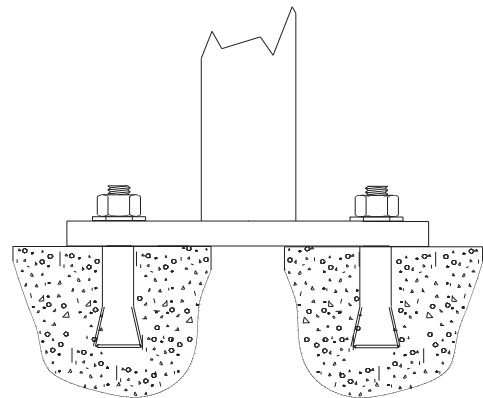
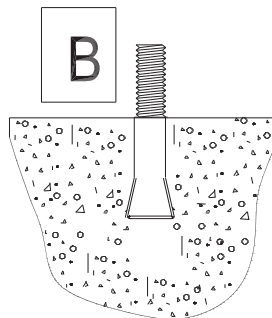
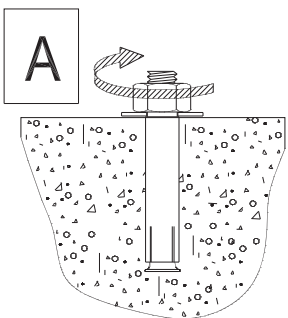
Use the foot to mark  
2 diagonal hole locations



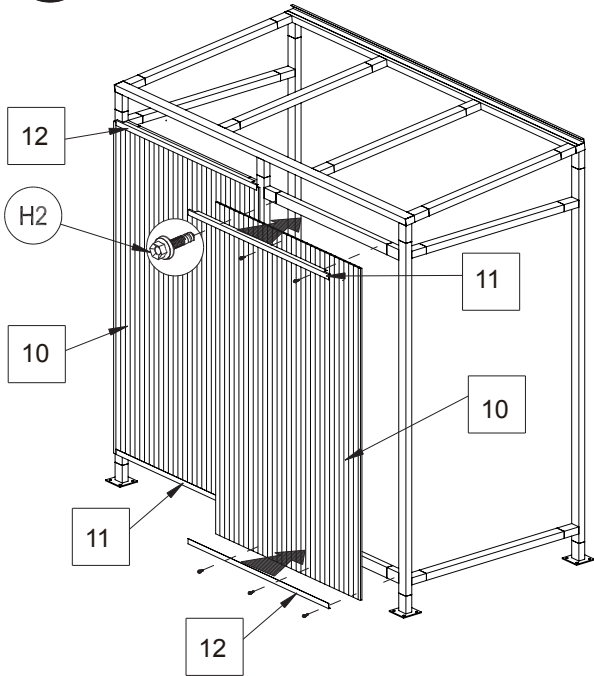
Drill Holes 2-3/8" Deep Using a  
1/2" Concrete Drill Bit



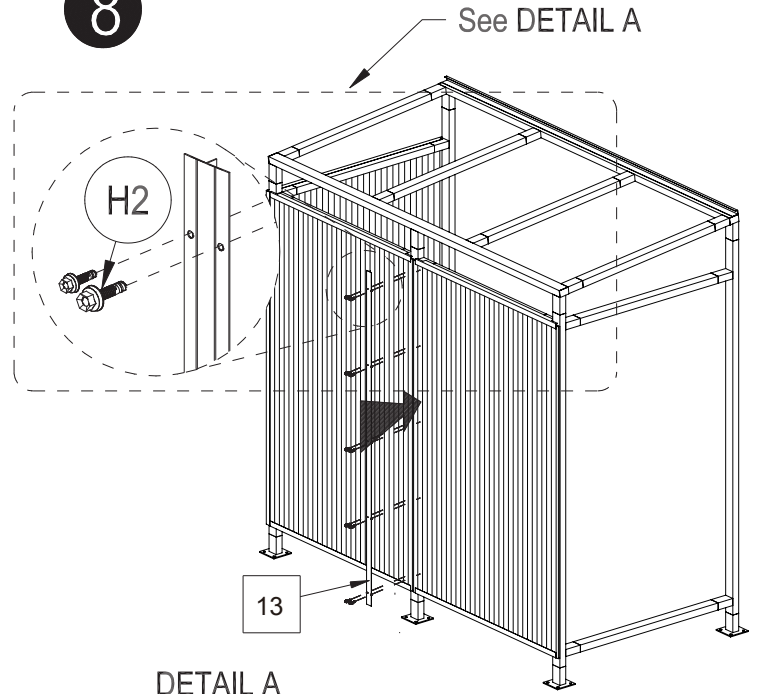
Insert and Set  
Concrete Anchor  
into Hole



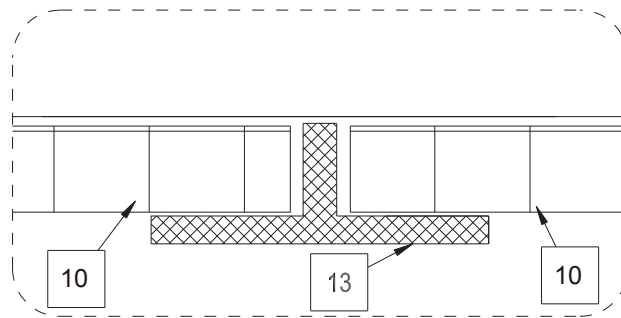
7



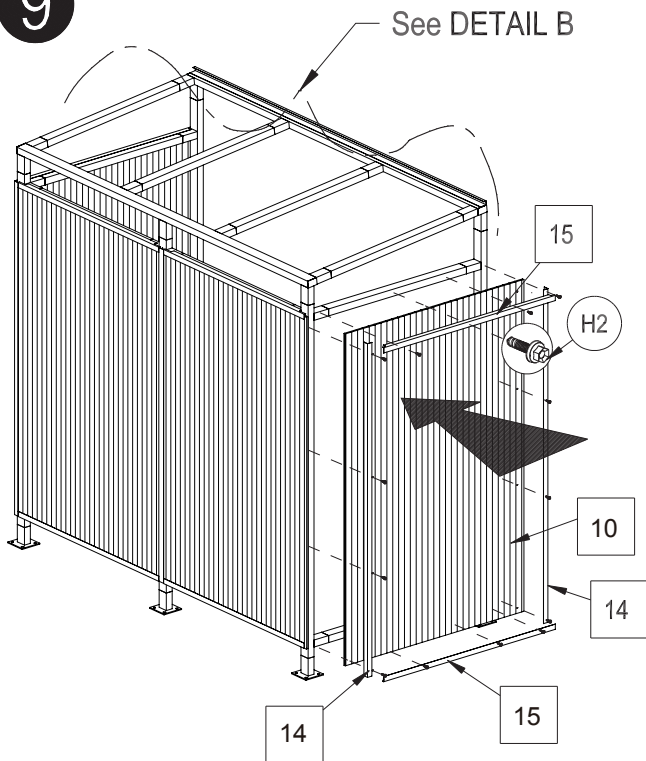
8



DETAIL A  
(Bird's Eye View)

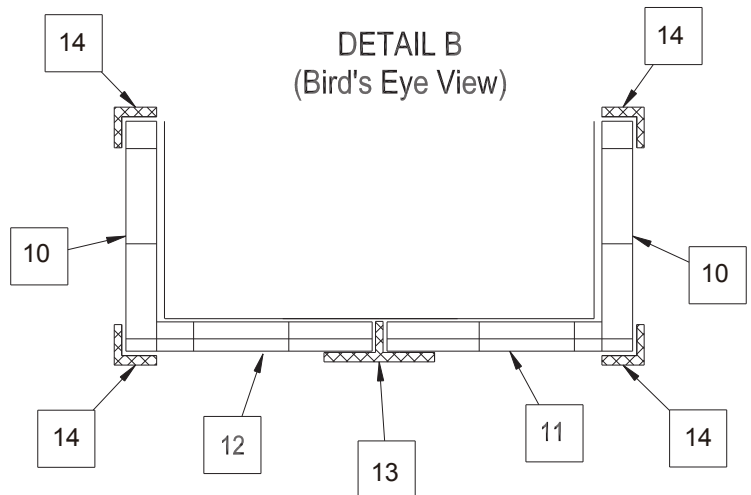


9

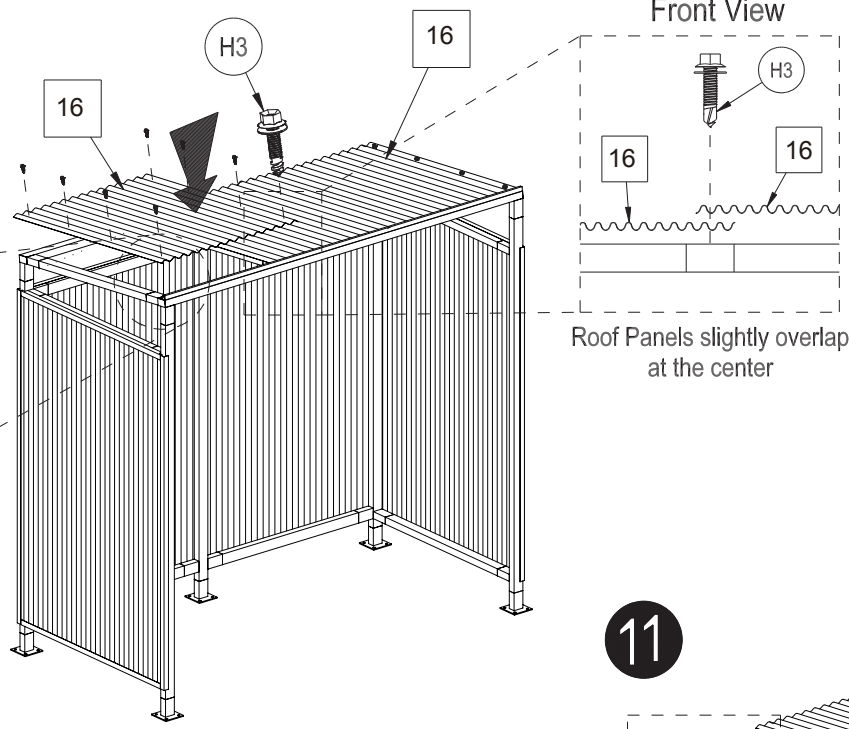


Note:  
Evenly distribute 5 screws for  
all vertical trims and 4 screws for  
all horizontal trims

DETAIL B  
(Bird's Eye View)

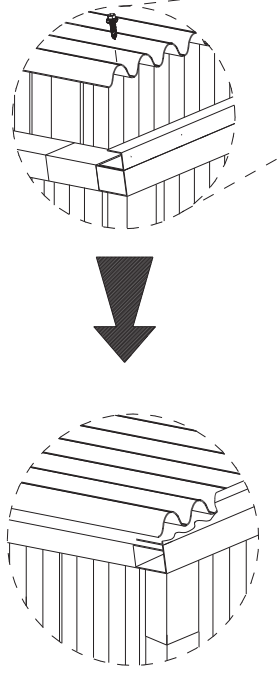


10

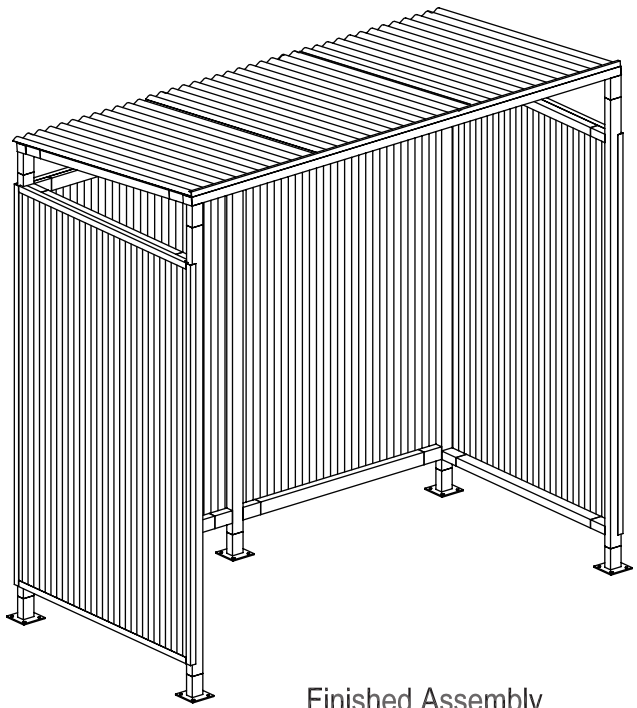
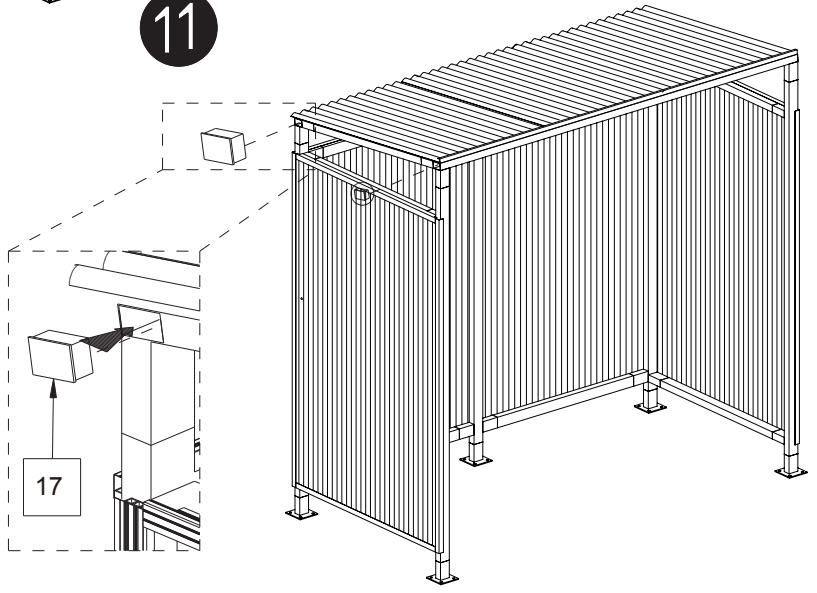


Note: The overall width of the combined roof panels should be about 96"

Roof Panels slightly overlap at the center



11



Finished Assembly