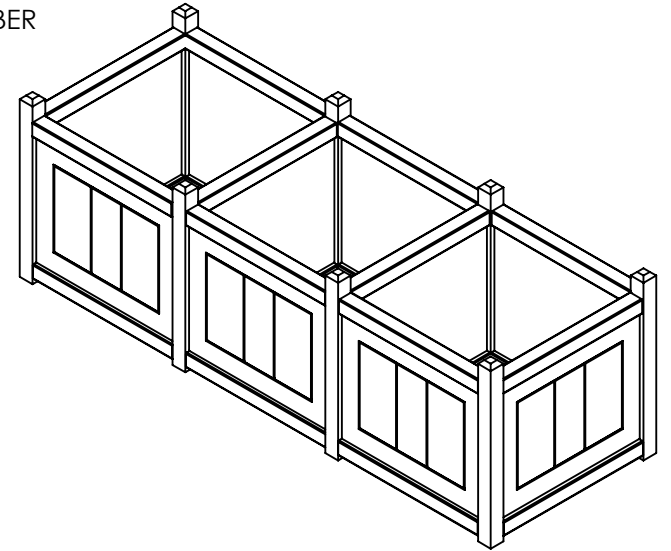
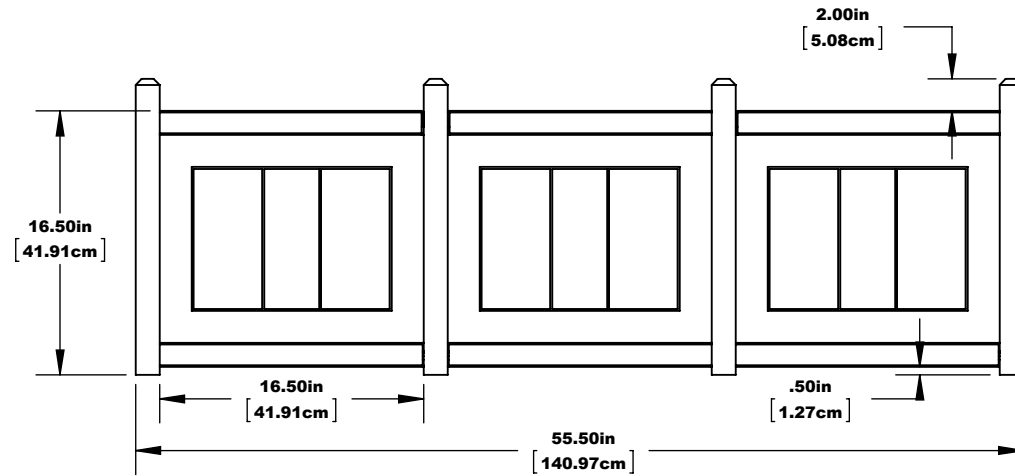
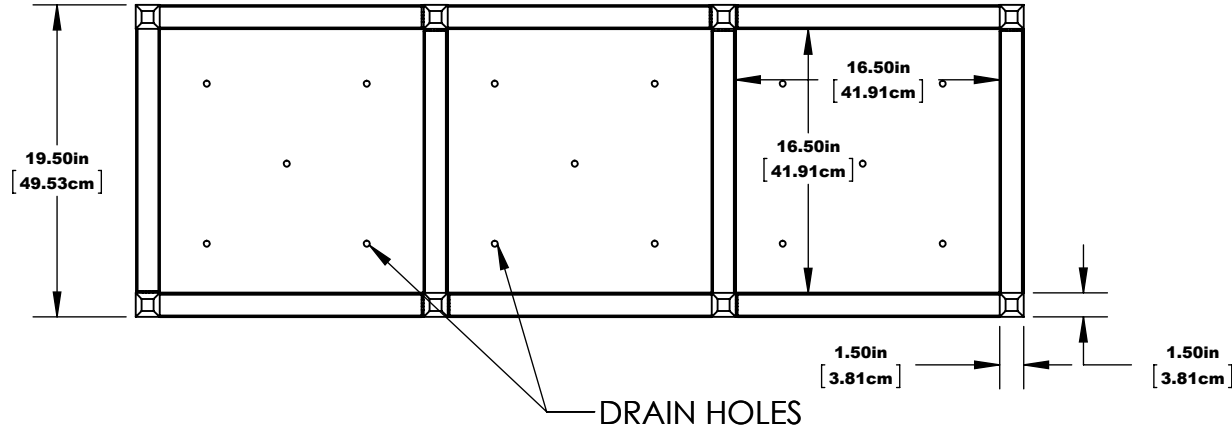


# TRIPLE PLANTER BOX

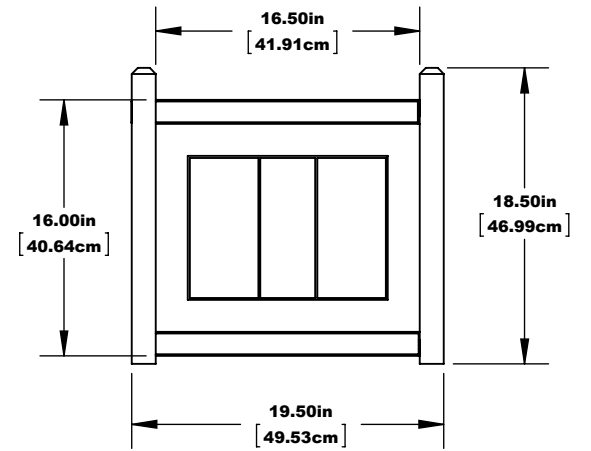
**CONSTRUCTION MATERIALS:**  
FRAME - RECYCLED PLASTIC LUMBER  
**HARDWARE:**  
STAINLESS STEEL, ALUMINUM



**TOP**



**FRONT**



**SIDE**