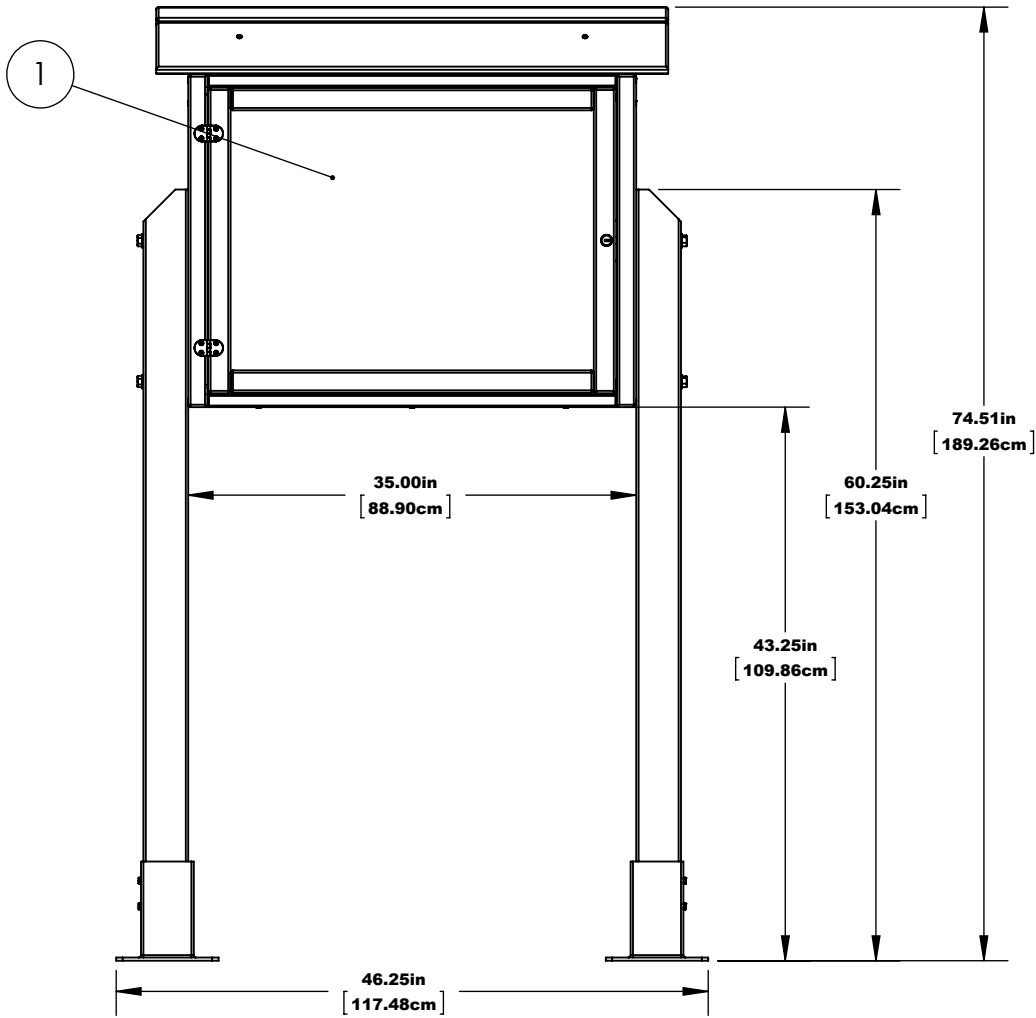
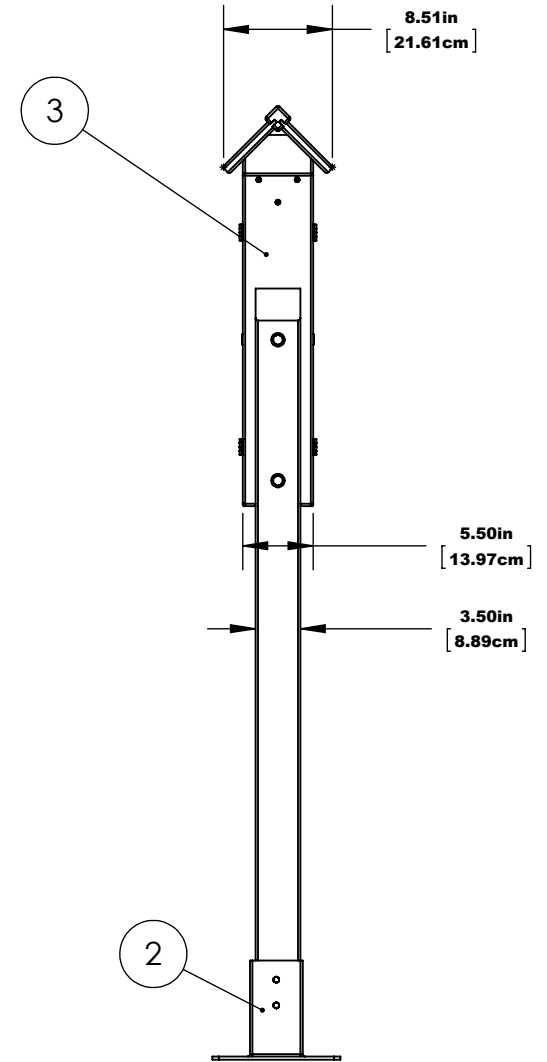


MEDIUM DOUBLE SIDED MESSAGE CENTER SURFACE MOUNT

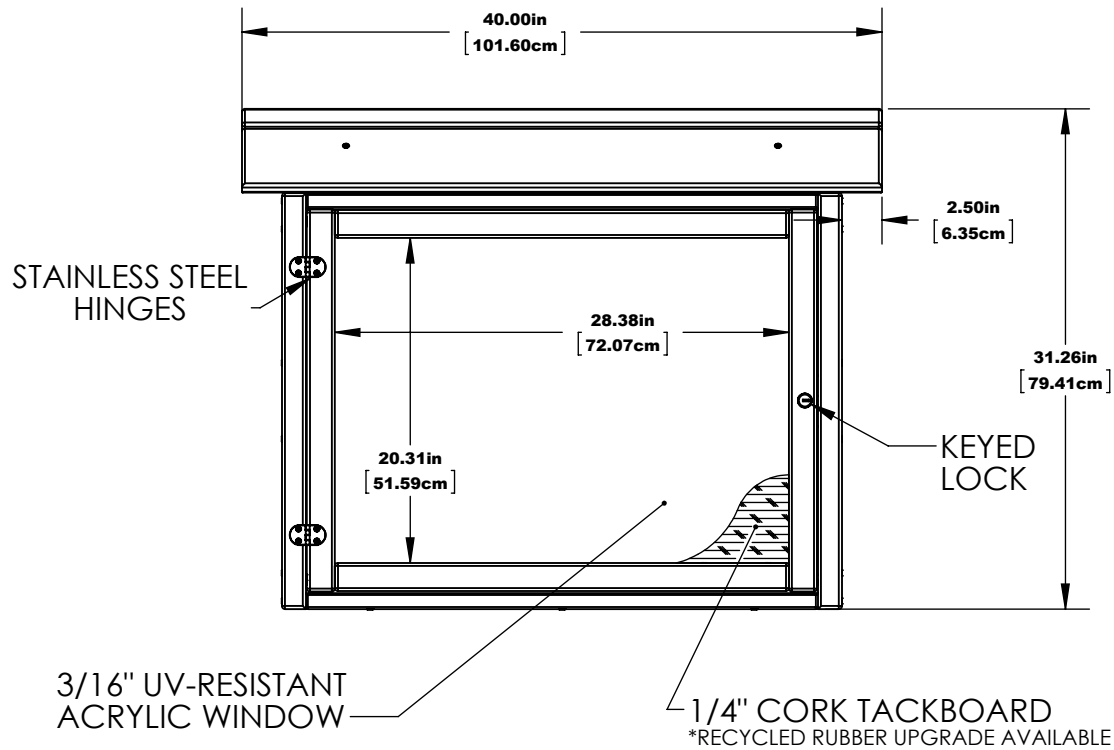
REV #2 7-21-2016



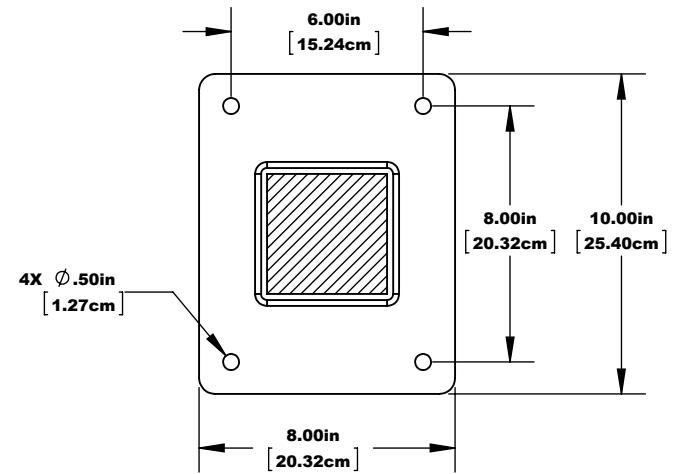
FRONT



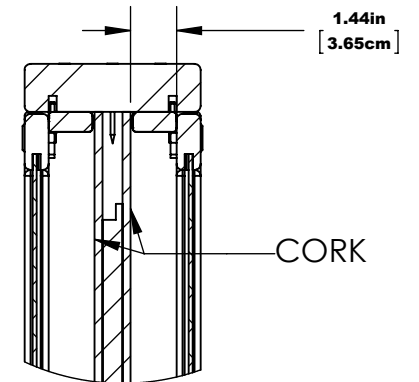
SIDE



1 MESSAGE CENTER DETAILS



2 MOUNTING DETAILS



HARDWARE: STAINLESS STEEL
MATERIAL: RECYCLED PLASTIC, ACRYLIC, 1/4" CORK