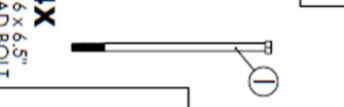
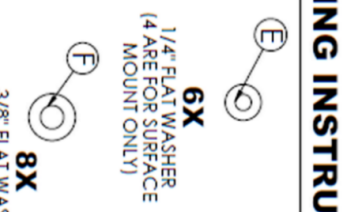
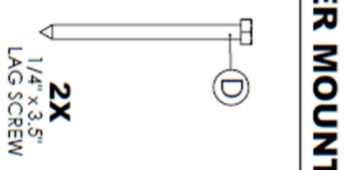
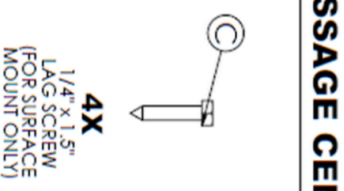
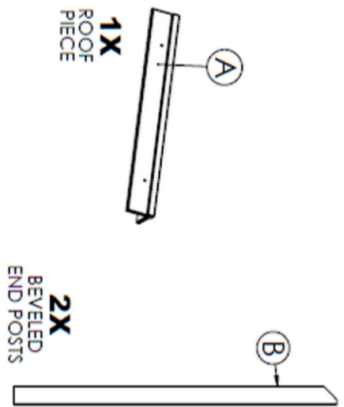


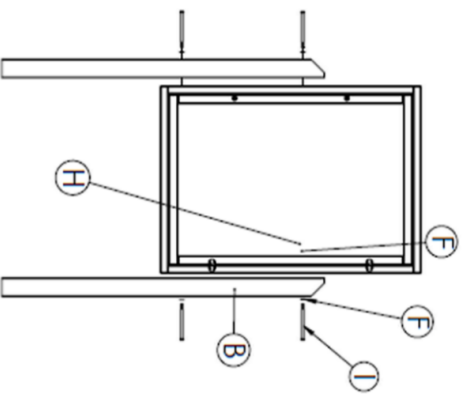
MESSAGE CENTER MOUNTING INSTRUCTIONS



- REQUIRED TOOLS (NOT INCLUDED)**
- POWER DRILL
 - 9/16" SOCKET
 - 9/16" WRENCH
 - 7/16" SOCKET

STEP 1

1. LAY MESSAGE CENTER ON THE GROUND.
2. PUT END POSTS ON THE SIDE OF MESSAGE CENTER WITH HOLES LINING UP.
3. TAKE 6 1/2" BOLT PUT THRU WASHER THRU POSTS AND ONTO NUT LOOSELY.
4. REPEAT STEP #3 FOR OTHER 3 BOLTS.
5. TIGHTEN ALL BOLTS.



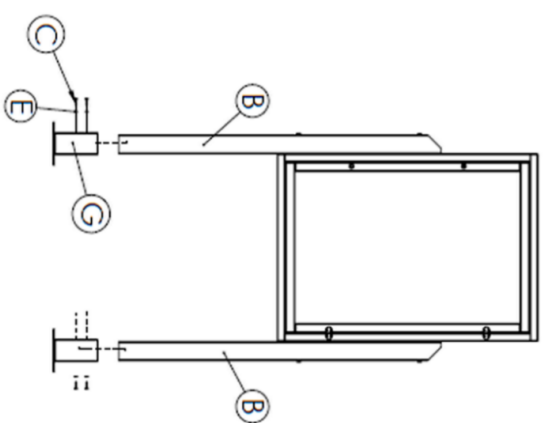
STEP 2

SURFACE MOUNT

1. KEEP THE MESSAGE CENTER ON THE GROUND.
2. PUT THE SURFACE MOUNT BASES ONTO THE POST BOTTOMS.
3. FASTEN 1 1/2" LAG SCREW THRU WASHER THRU SURFACE MOUNT BASE AND SCREW INTO POSTS.
4. REPEAT STEP #3 FOR OTHER 3 SCREWS.
5. LIFT PROPERLY INTO STANDING POSITION.
6. SECURE SURFACE MOUNT BASES TO GROUND.

IN GROUND MOUNT

1. DIG HOLES FOR POSTS TO PROPER DEPTH REQUIREMENTS PER BUILDING CODE.
2. LIFT UNIT PROPERLY INTO STANDING POSITION.
3. SECURE WITH CONCRETE.



STEP 3

1. SET ROOF PIECE ONTO TOP OF MESSAGE CENTER.
2. FASTEN 2 1/2" LAG SCREW THRU WASHER THRU MESSAGE CENTER INTO ROOF PIECE.
3. REPEAT STEP #3 FOR OTHER SCREW.

