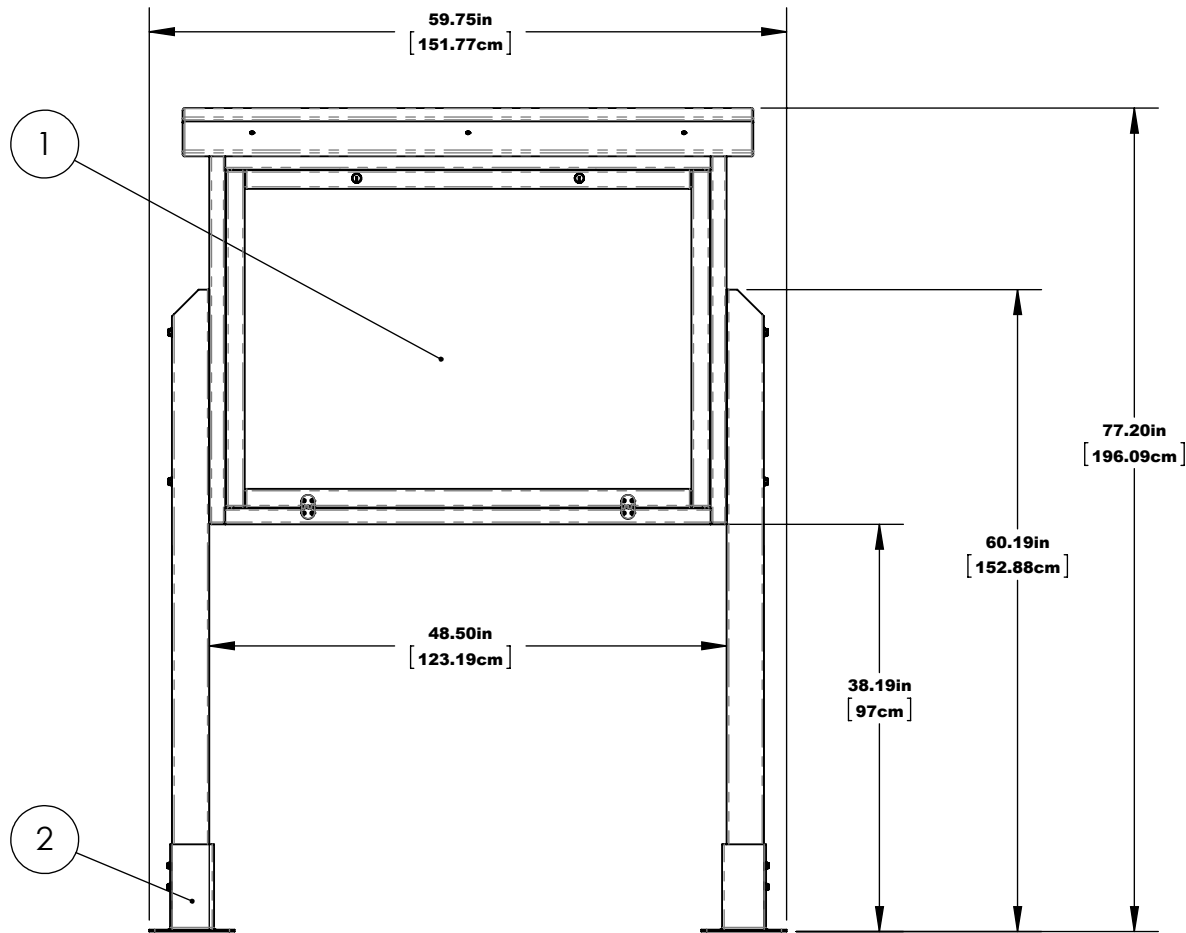
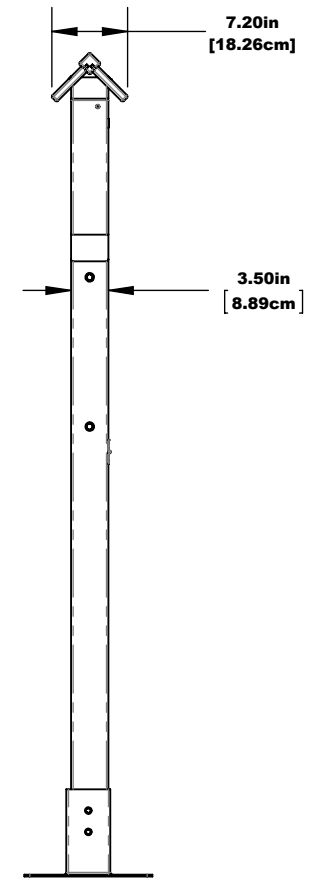


# LARGE HORIZONTAL MESSAGE CENTER SURFACE MOUNT

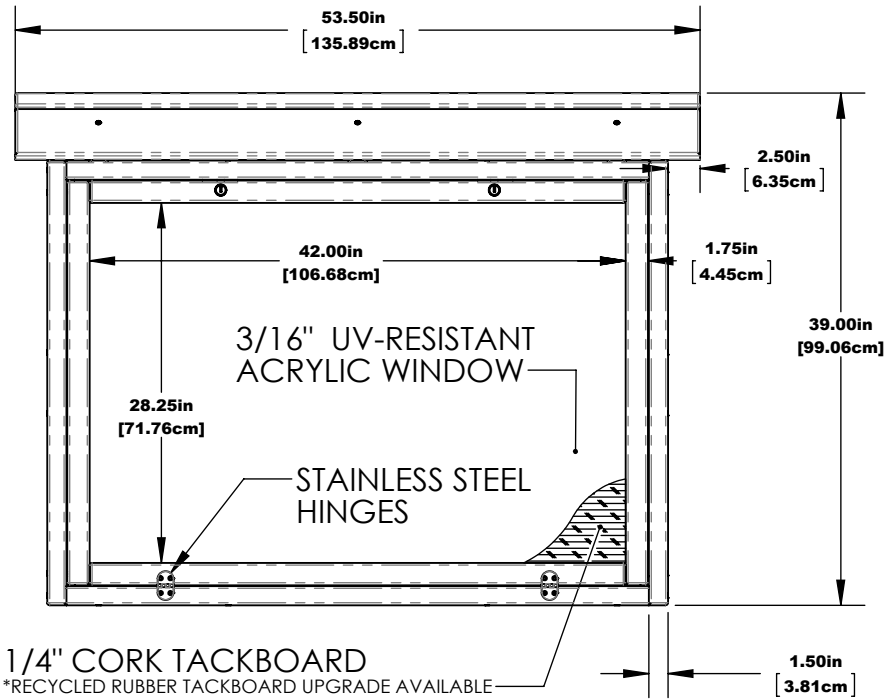


**FRONT**

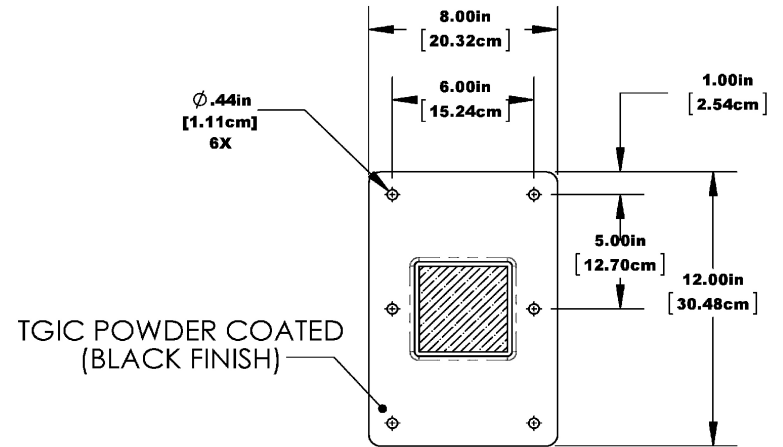


**SIDE**

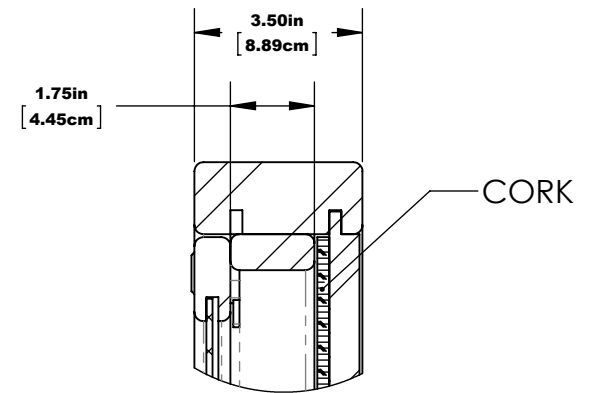
# LARGE HORIZONTAL MESSAGE CENTER SURFACE MOUNT



**1** MESSAGE CENTER DETAILS



**2** MOUNTING DETAILS



**3** MESSAGE CENTER DEPTH DETAILS

HARDWARE: STAINLESS STEEL  
MATERIAL: RECYCLED PLASTIC, ACRYLIC, 1/4" CORK