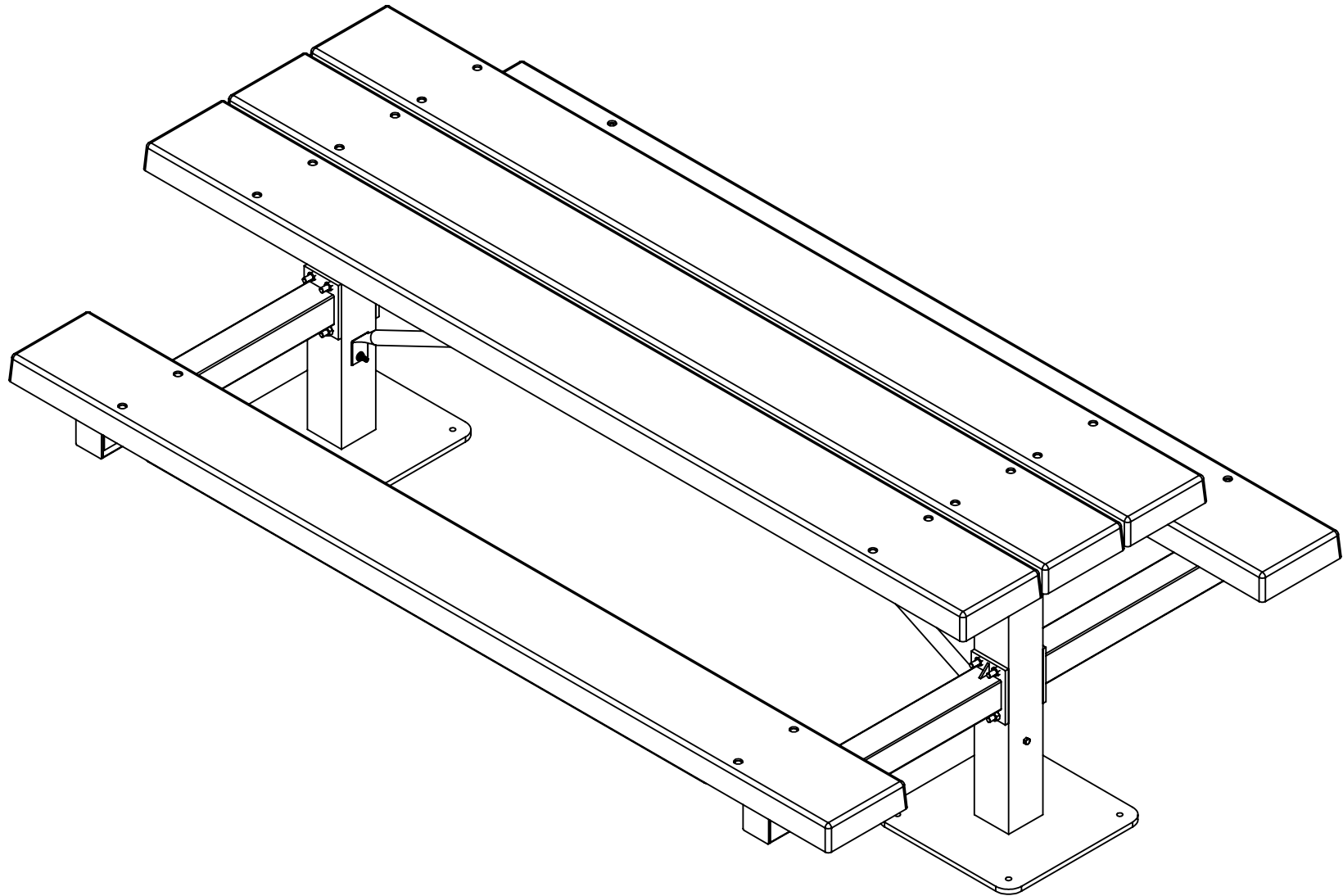
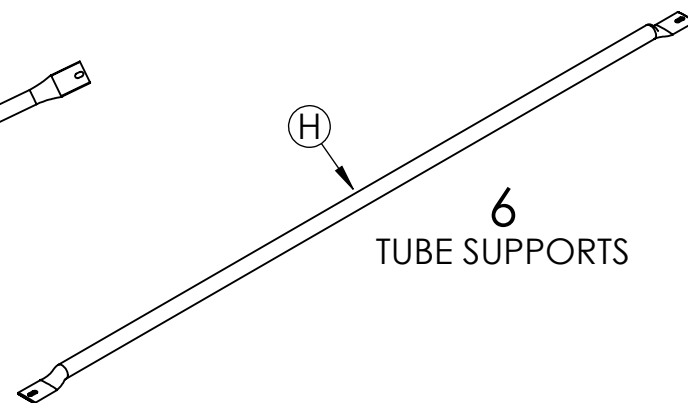
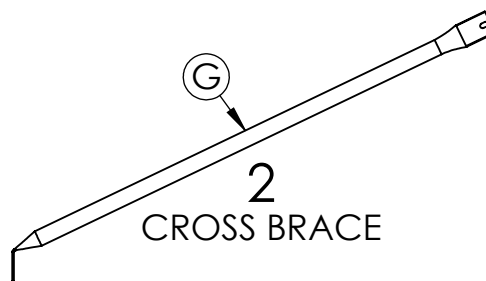
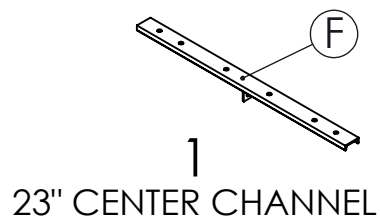
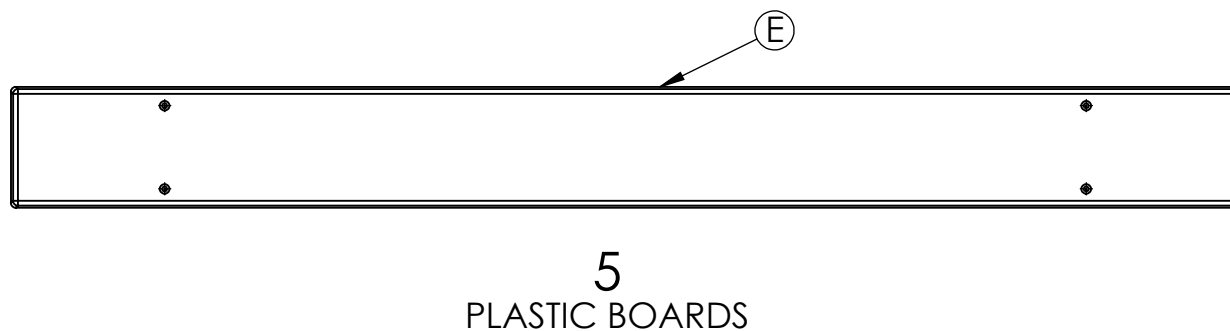
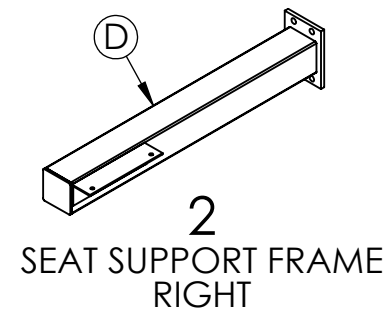
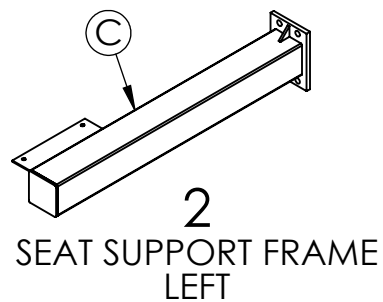
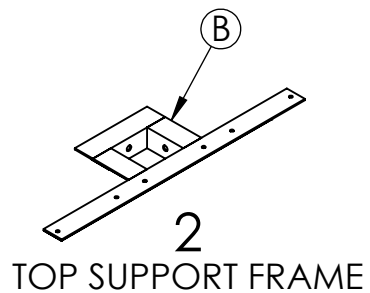
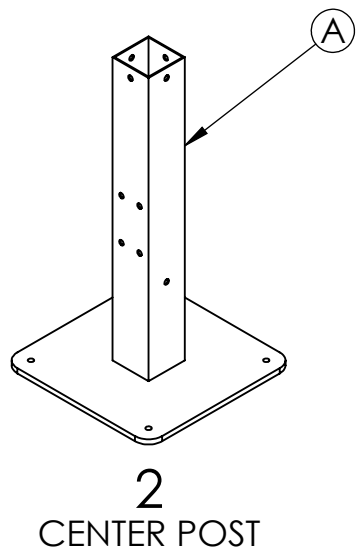


**Double Pedestal Surface  
Mount Table Instructions  
BM1280**

REV# 1  
4-10-2017



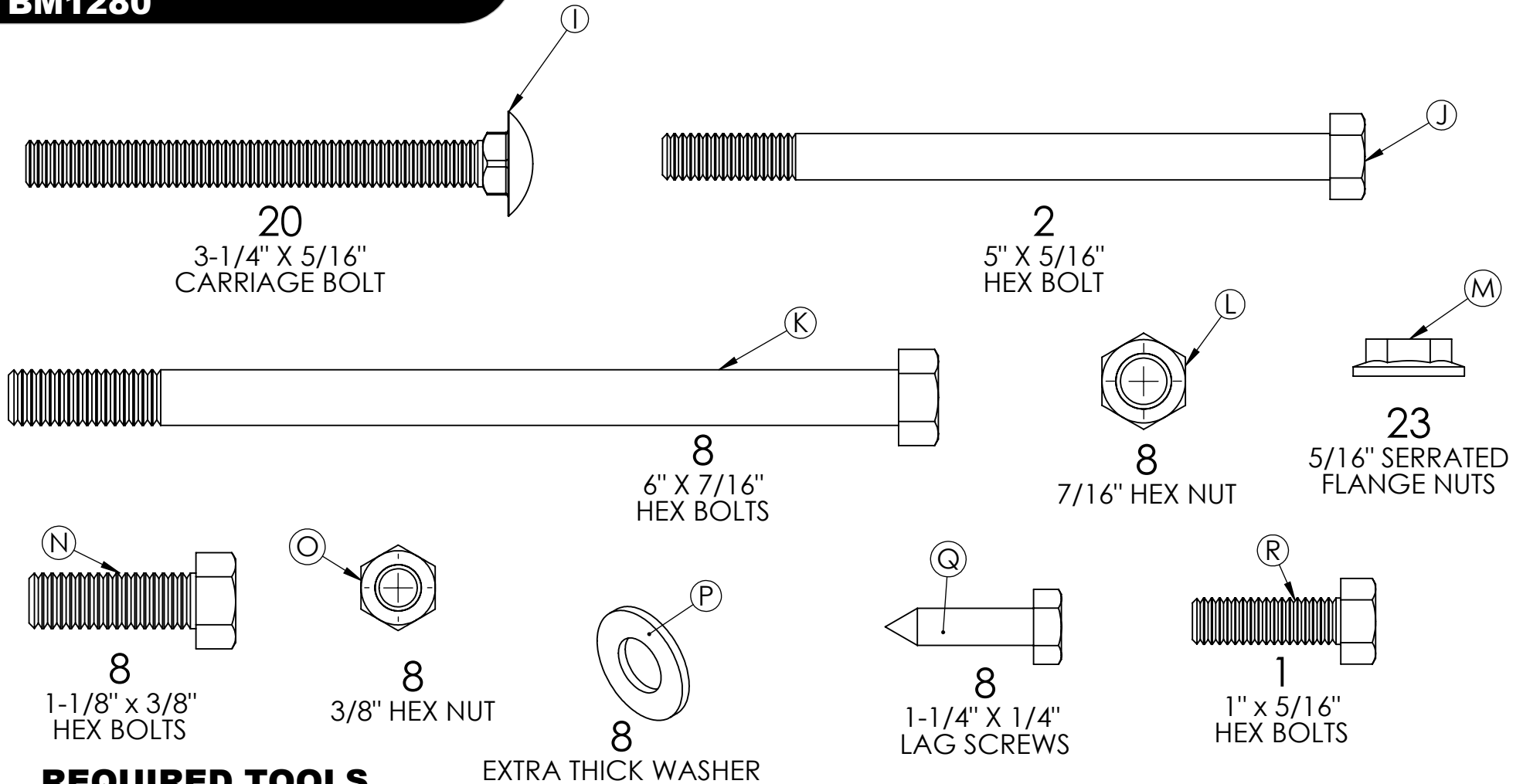
# Double Pedestal Surface Mount Table Instructions BM1280



**HARDWARE &  
TOOLS REQUIRED  
FOR ASSEMBLY**

**2/8**

# Double Pedestal Surface Mount Table Instructions BM1280



## REQUIRED TOOLS (NOT INCLUDED)

- 1 - 7/16" SOCKET
- 1 - 9/16" WRENCH
- 1 - 9/16" SOCKET
- 1 - 1/2" SOCKET
- 1 - 5/8" WRENCH
- 1 - 5/8" SOCKET
- 1 - 1/8" DRILL BIT
- 1 - DRILL

**NOTE: IT IS IMPORTANT TO KEEP ALL BOLTS FINGER TIGHT DURING ASSEMBLY UNTIL ENTIRE TABLE IS ASSEMBLED**

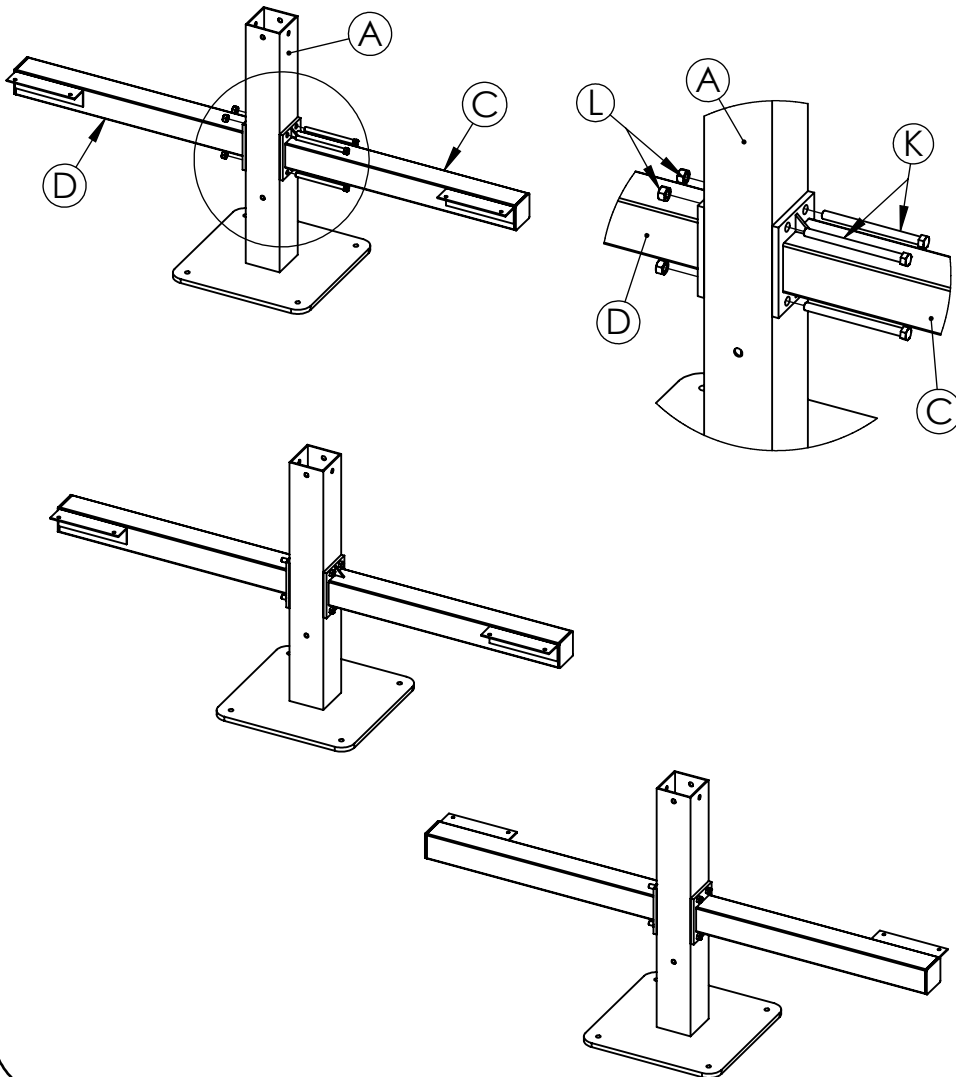
**HARDWARE &  
TOOLS REQUIRED  
FOR ASSEMBLY**

**3/8**

# Double Pedestal Surface Mount Table Instructions BM1280

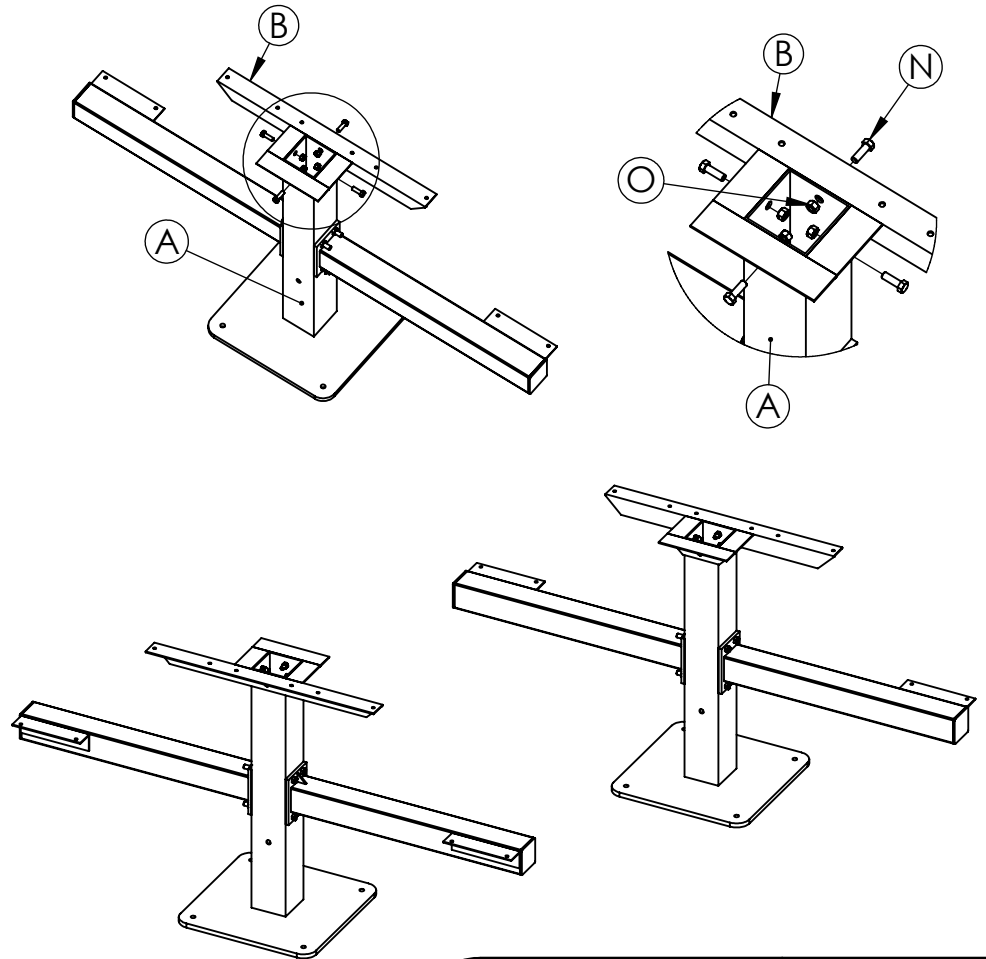
## STEP 1 Center Post Assembly

- Stand the center post (A) upright
- Bolt one seat support frame LEFT (C) and one seat support frame RIGHT (D) to opposite sides with four 5-3/4" x 7/16" hex bolt (K) and four 7/16" hex nuts (L)
- Repeat for the remaining center post (A)



## STEP 2 Table Top Support Assembly

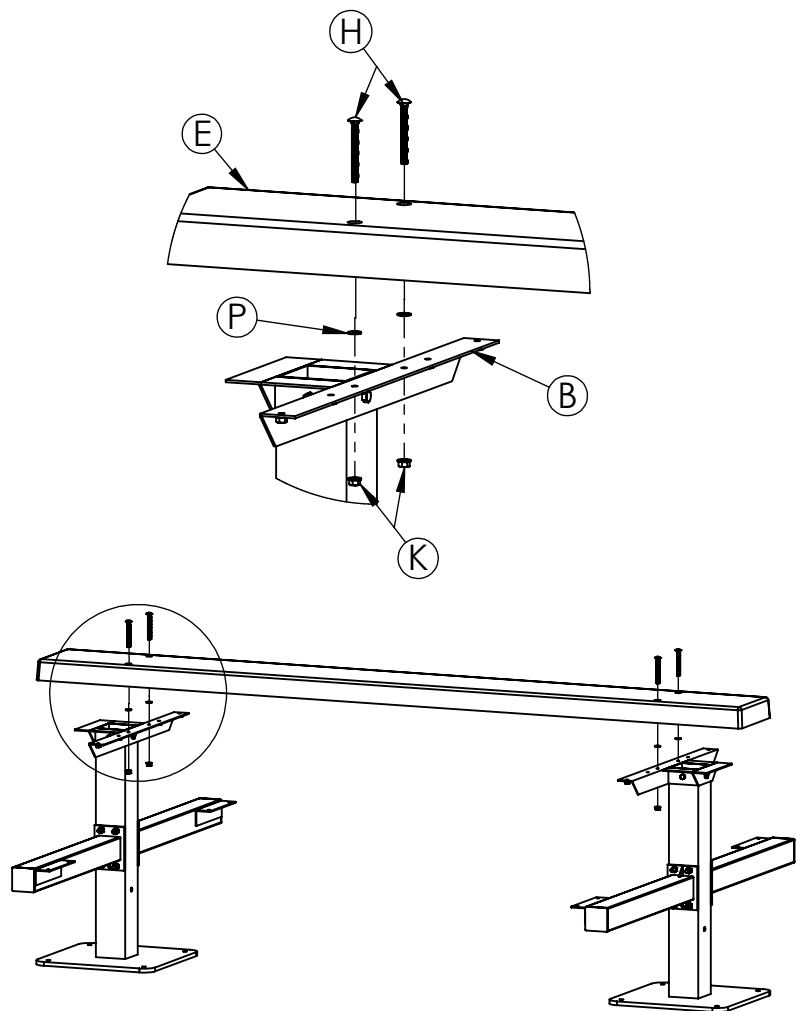
- Slide the top support frame (B) over the top of the center post (A) with the holes in the top of the angle iron on the same side as the seat supports
- Align the holes in the center post (A) with the holes in the sides of the top support frame (B)
- Secure the top support frame (B) to the center post (A) with four 1-1/8" x 3/8" hex bolts (N) and four 3/8" hex nuts (O)
- Repeat for the remaining center post (A)



## Double Pedestal Surface Mount Table Instructions BM1280

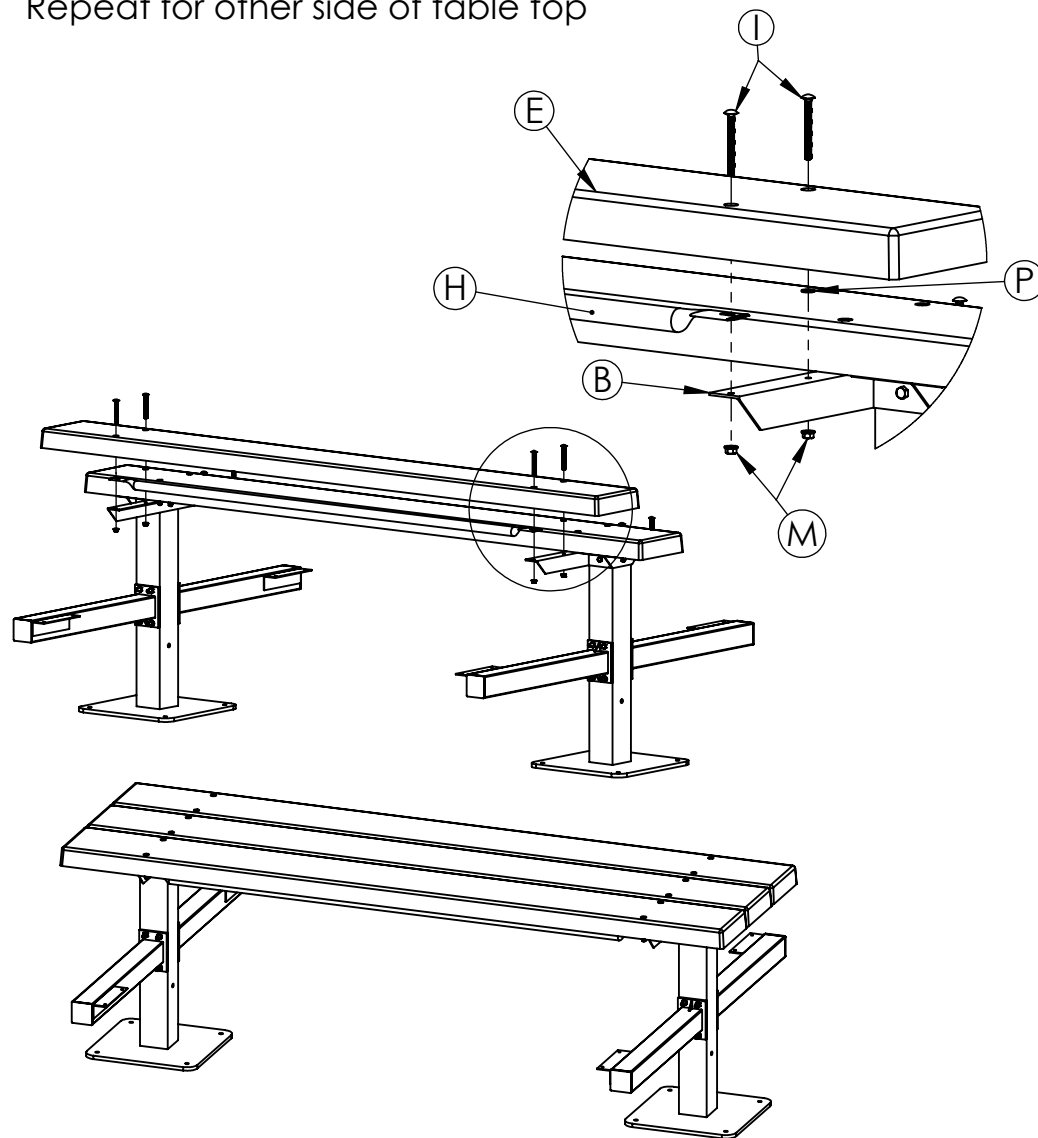
### STEP 3 Table Top Assembly

- Place one plastic board (E) on top of extra thick washers (P) in the center of the top support frame (B)
- Secure the plastic board (E) to the top support frame (B) with 3-1/4" x 5/16" carriage bolts (I) and 5/16" flange nuts (M)



### STEP 4 Table Top Assembly

- Place one plastic board (E) on top of extra thick washers (P) and one tube support (H) and top support frame (B)
- Secure the plastic board (E) to the top support frame (B) with 3-1/4" x 5/16" carriage bolts (I) and 5/16" flange nuts (M)
- Repeat for other side of table top



**TABLE TOP  
ASSEMBLY**

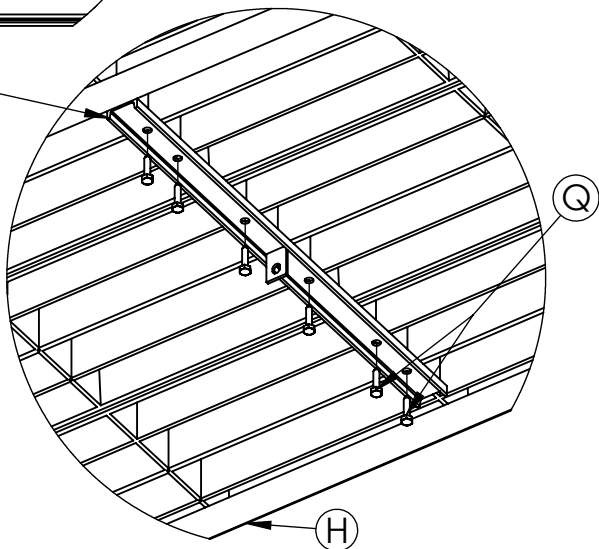
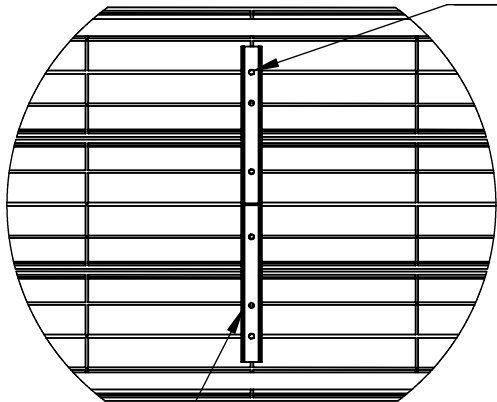
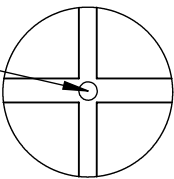
**5/8**

## Double Pedestal Surface Mount Table Instructions BM1280

### STEP 5 Top Assembly

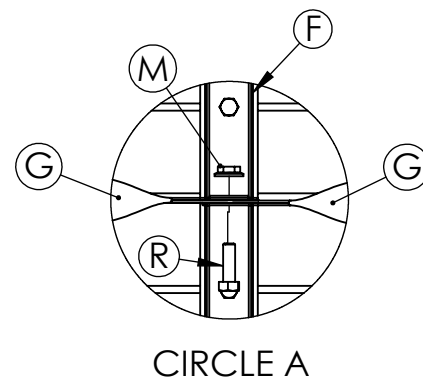
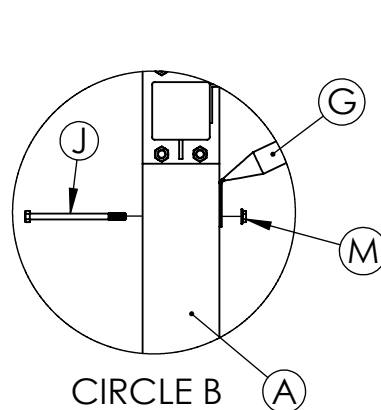
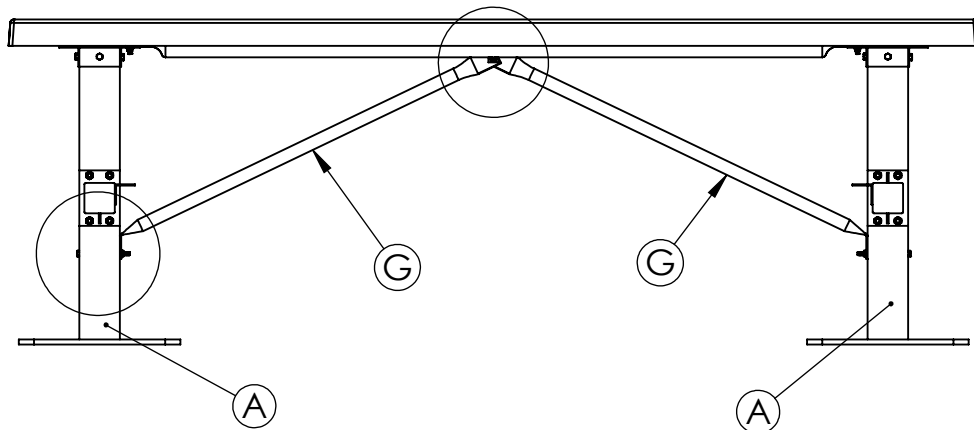
- Place the 23" center channel (F) in the center of the tabletop assembly
- Mark the center cross sections of the boards (E) at the hole locations on the center channel (F)
- Drill 6 additional 1/8" pilot holes 1/2" deep in the center of the cross section of the boards (E)
- With the 1-1/4" x 1/4" lag screws (Q) secure the 23" center channel (F) to the boards (E)

DRILL HOLE LOCATIONS



### STEP 6 Cross Brace Assembly

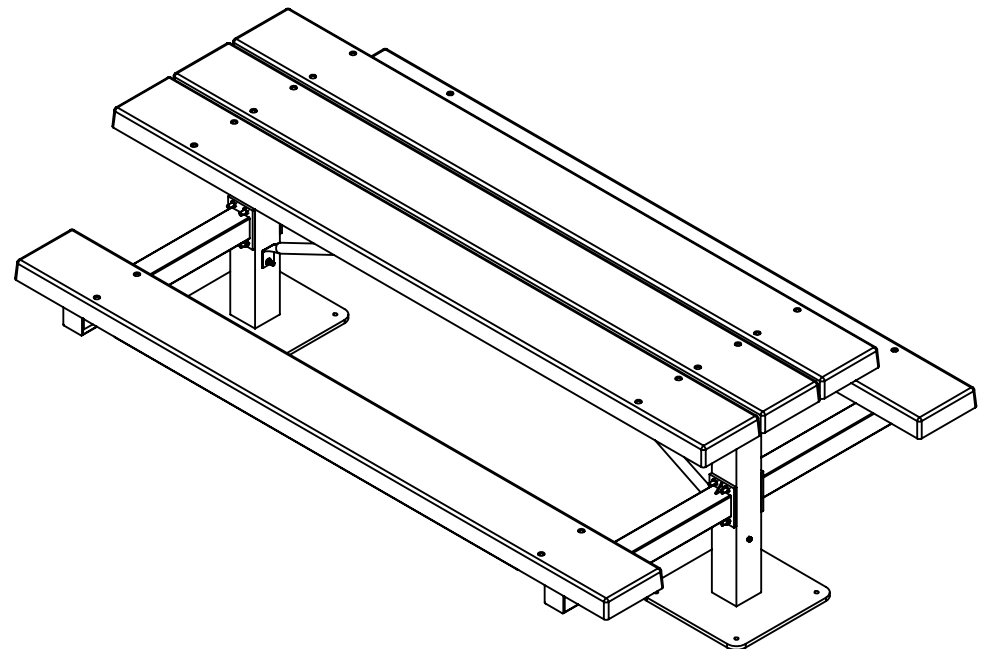
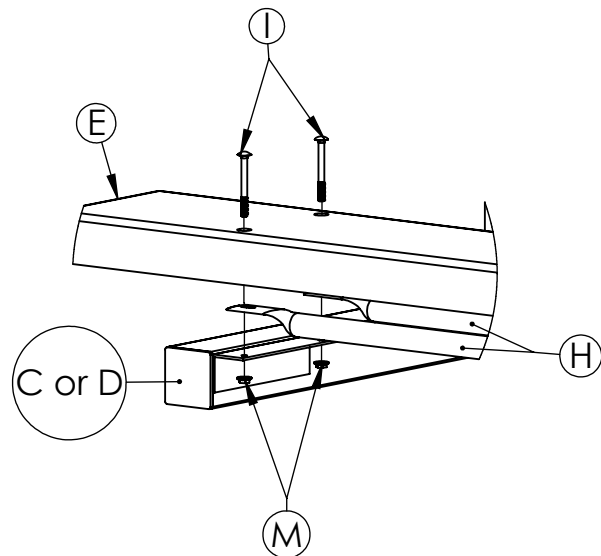
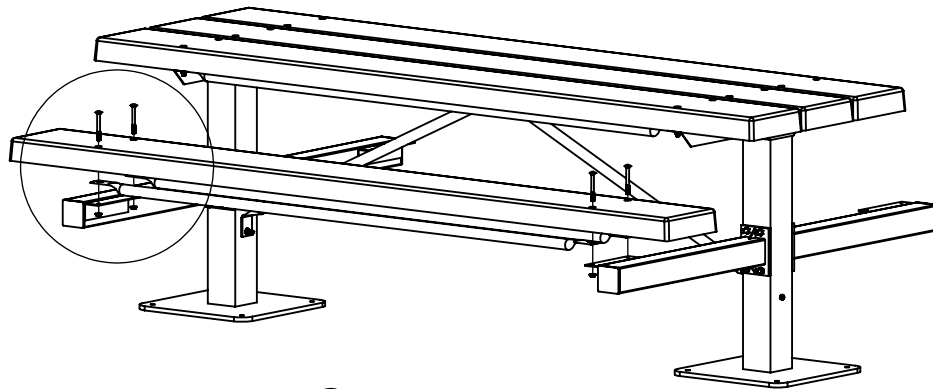
- Place the 5/16" x 1" hex bolt (R) through the two cross braces (G) and 23" center channel (F)
- Hand tighten with a flange nut (M) See CIRCLE A
- Attach the cross braces (G) to the center posts with 5/16" x 5" hex bolts (J) and secure with a flange nut (M) See CIRCLE B



## Double Pedestal Surface Mount Table Instructions BM1280

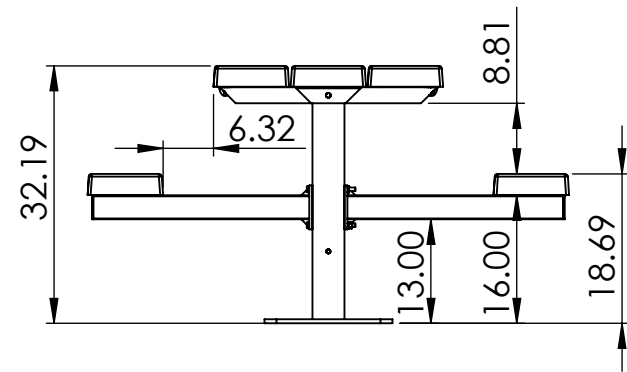
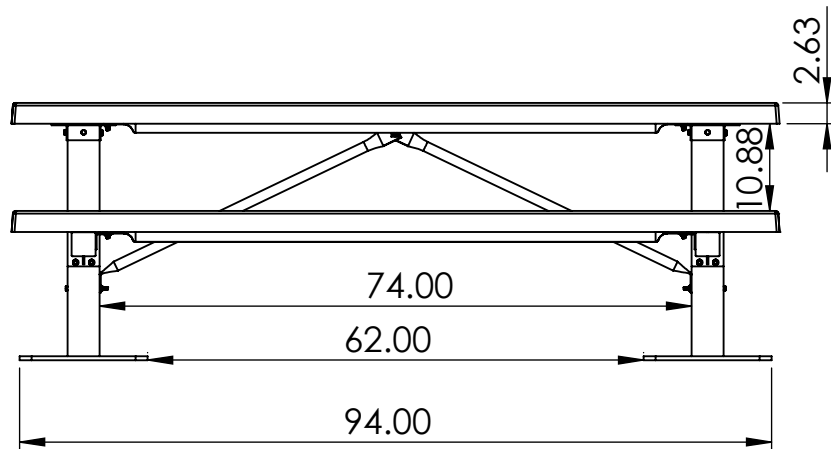
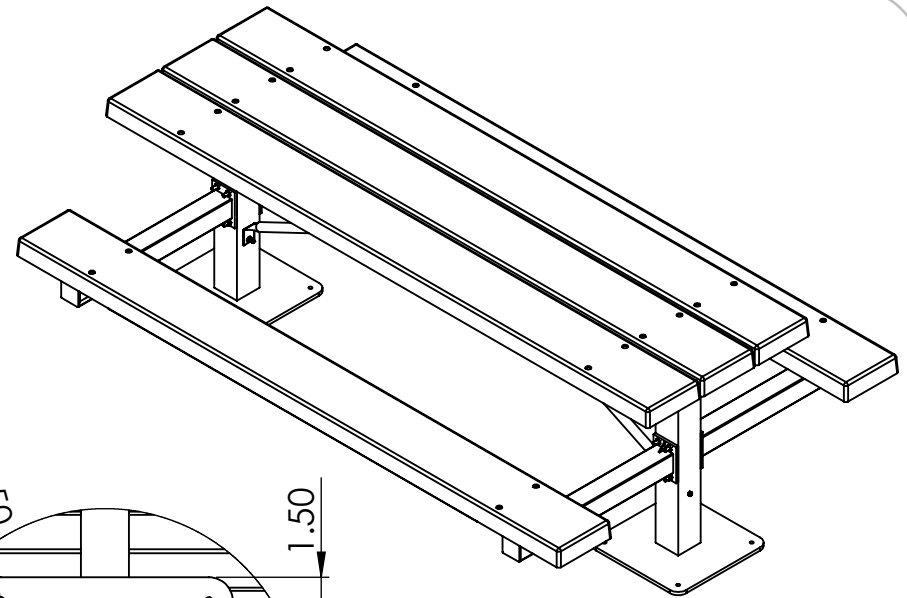
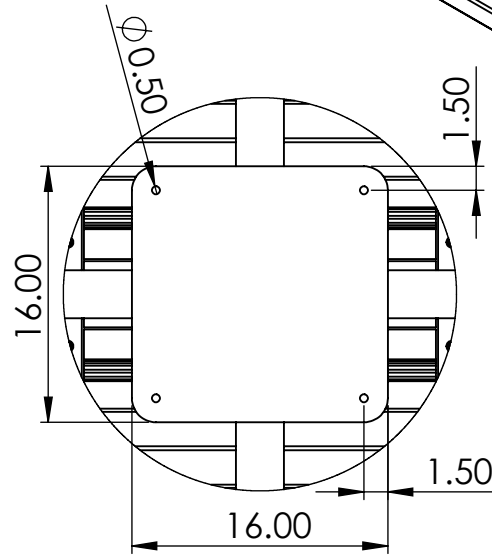
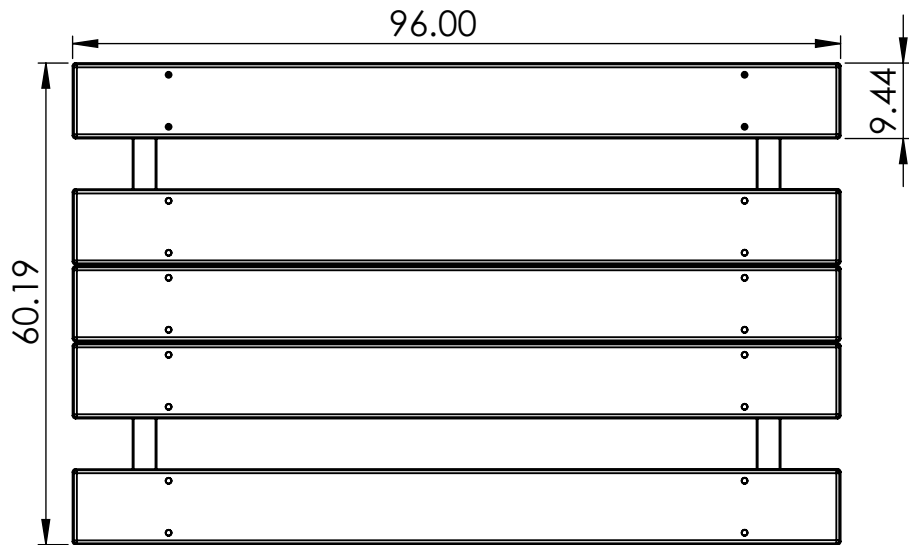
### STEP 7 Seat Assembly

- Place one plastic board (E) on top of two tube supports (H) and seat support frame (C or D)
- Secure the plastic board (E) to the seat support frame (C or D) with 3-1/4" x 5/16" carriage bolts (I) and 5/16" flange nuts (M)
- Repeat for other seat
- Square all components and tighten
- Secure table to ground with proper hardware before use



# Double Pedestal Surface Mount Table Specifications BM1280

REV# 1  
4-10-2017



ALL DIMENSIONS ARE SHOWN IN INCHES

**SIDE**