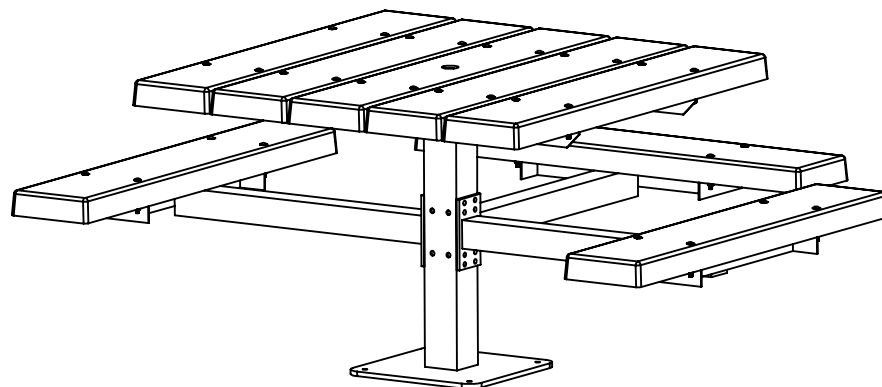
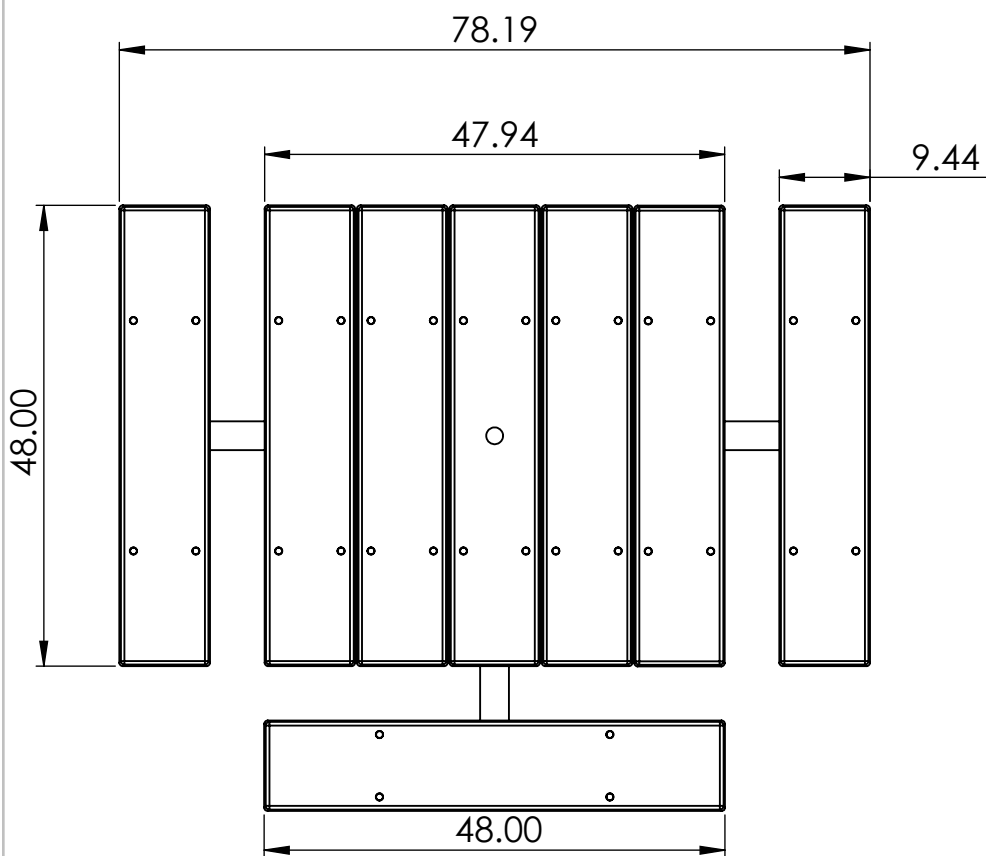


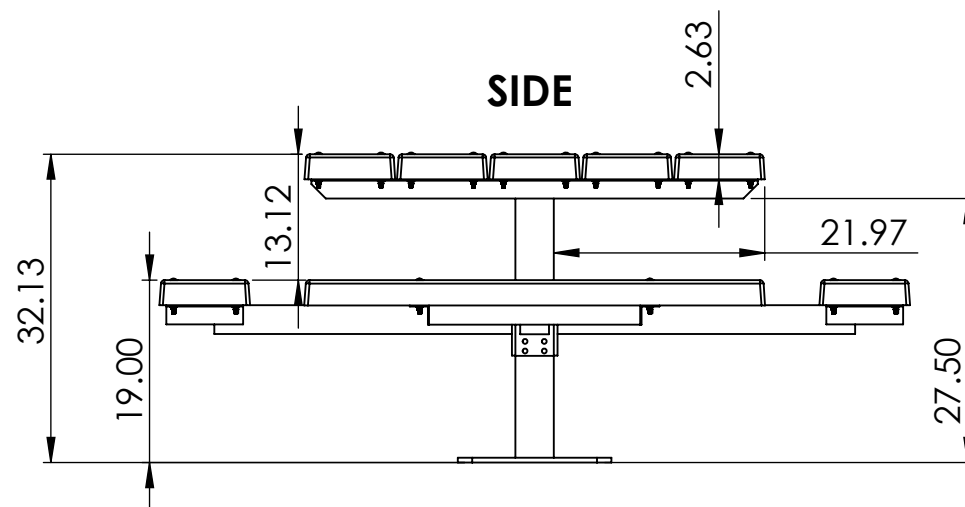
Surface Mount ADA Table Specifications BM1230



TOP



SIDE



ALL DIMENSIONS ARE IN INCHES