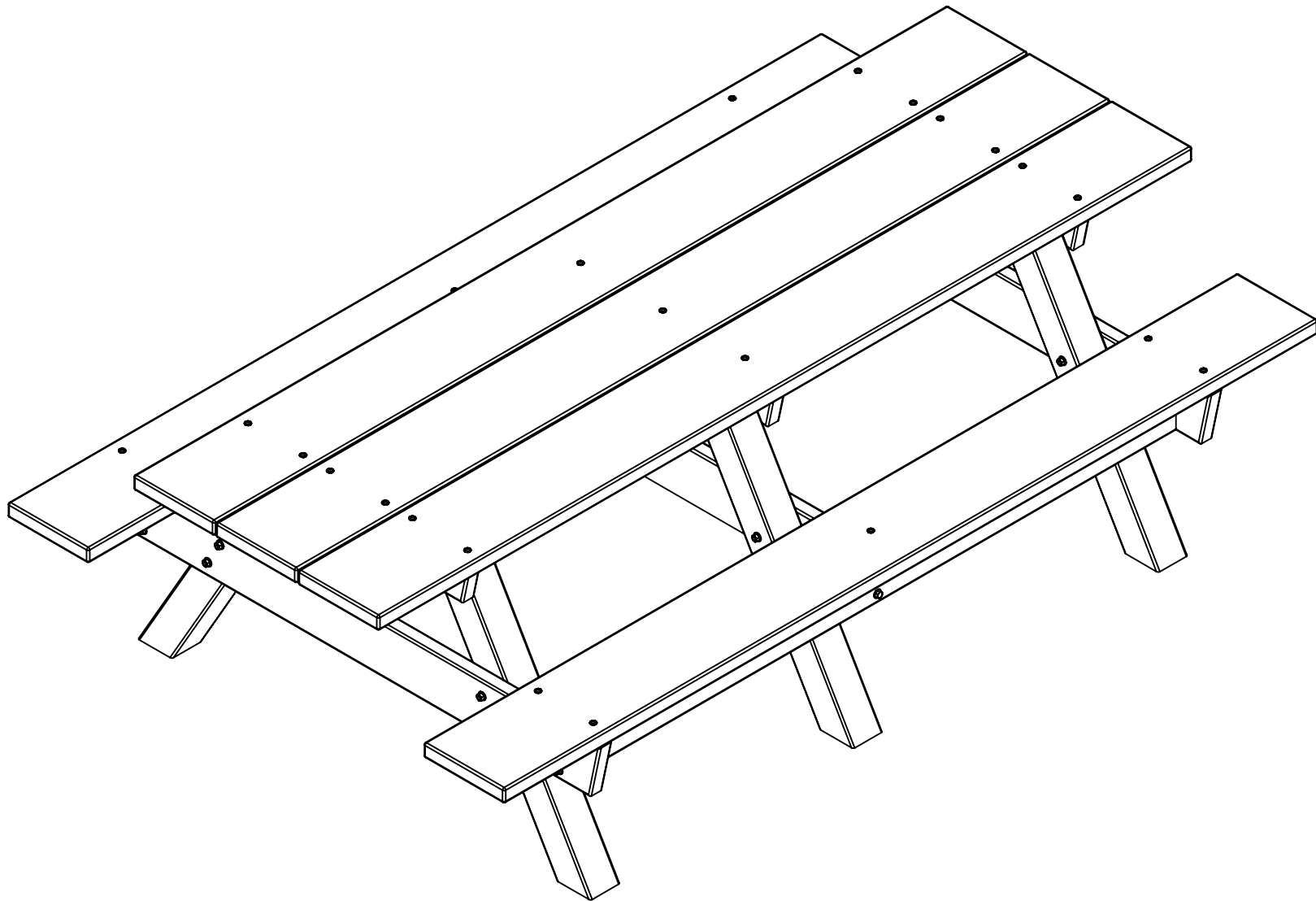
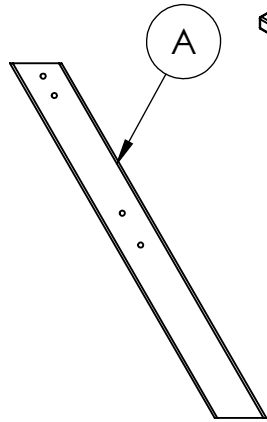


**RECYCLED PLASTIC
TABLE INSTRUCTIONS
TB1105**

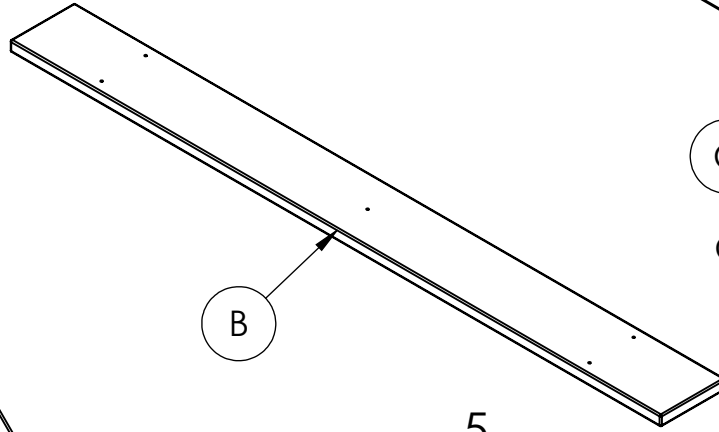
REV# 2
8-8-2018



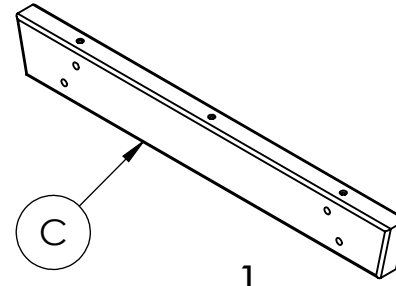
RECYCLED PLASTIC TABLE INSTRUCTIONS TB1105



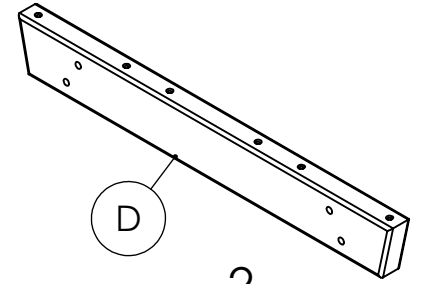
6
Table Legs
ATB-P0006



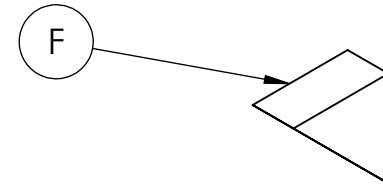
5
2 X 10 Plastic boards
ATB-P0149



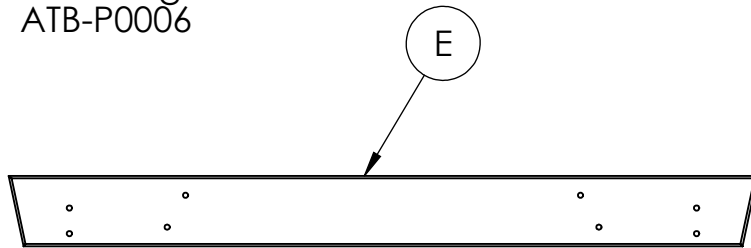
1
Center tabletop support
ATB-P0152



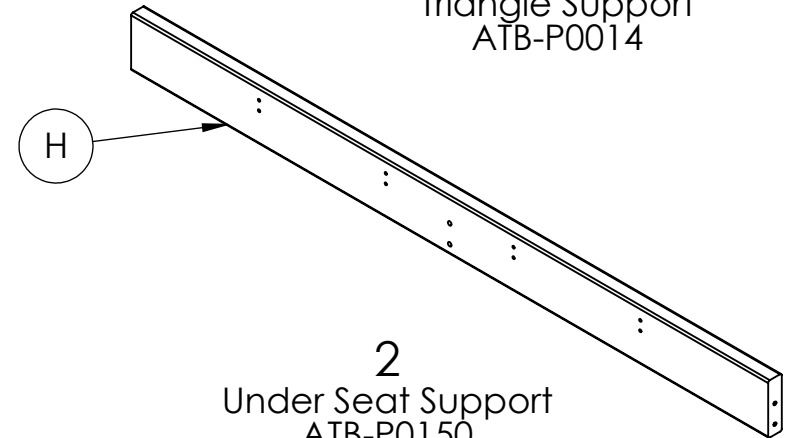
2
Tabletop Support
ATB-P0008



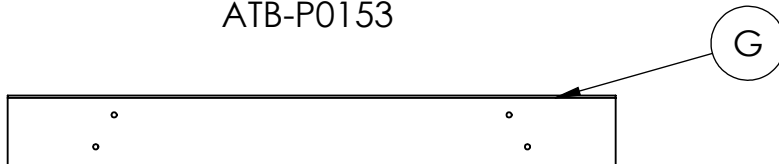
8
Triangle Support
ATB-P0014



2
Cross Seat Support
ATB-P0153



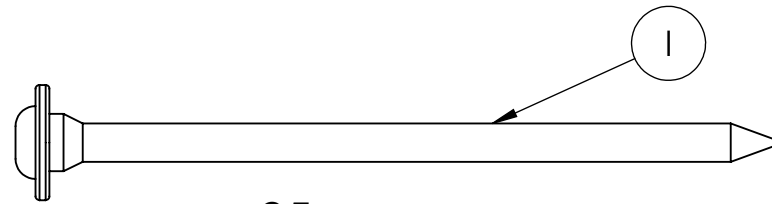
2
Under Seat Support
ATB-P0150



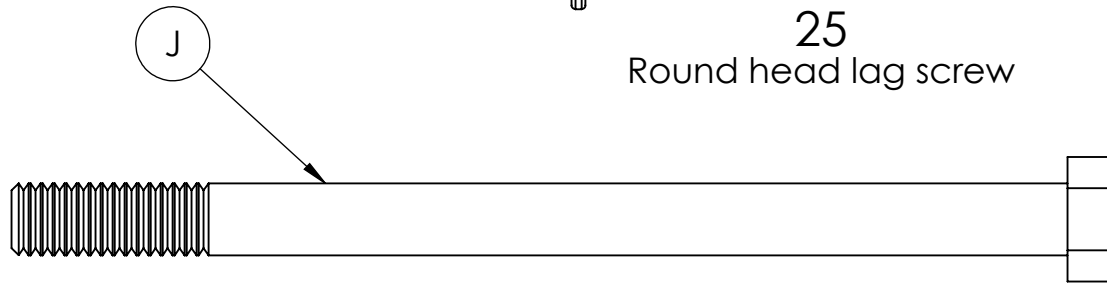
1
Center Cross Seat Support
ATB-P0151

**HARDWARE &
TOOLS REQUIRED
FOR ASSEMBLY**

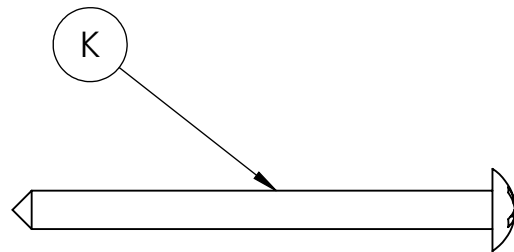
**RECYCLED PLASTIC
TABLE INSTRUCTIONS
TB1105**



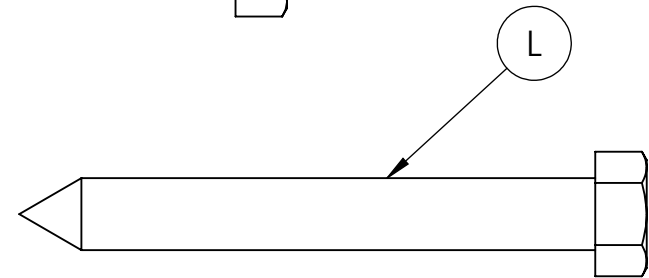
25
Round head lag screw



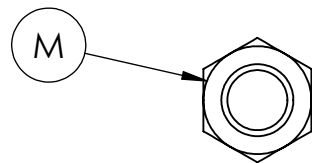
24
3/8" x 5.5" Hex bolts



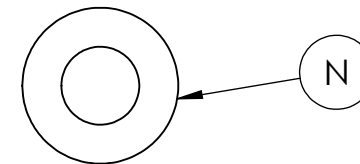
16
#12 x 2.5" Pan head screw



12
3/8" x 3" Hex lag bolt



24
3/8" Nylon lock nut



60
3/8" Flat washer

**REQUIRED TOOLS
(NOT INCLUDED)**
2 - 9/16" WRENCH
1 - #3 PHILLIPS BIT
1 - SCREW GUN

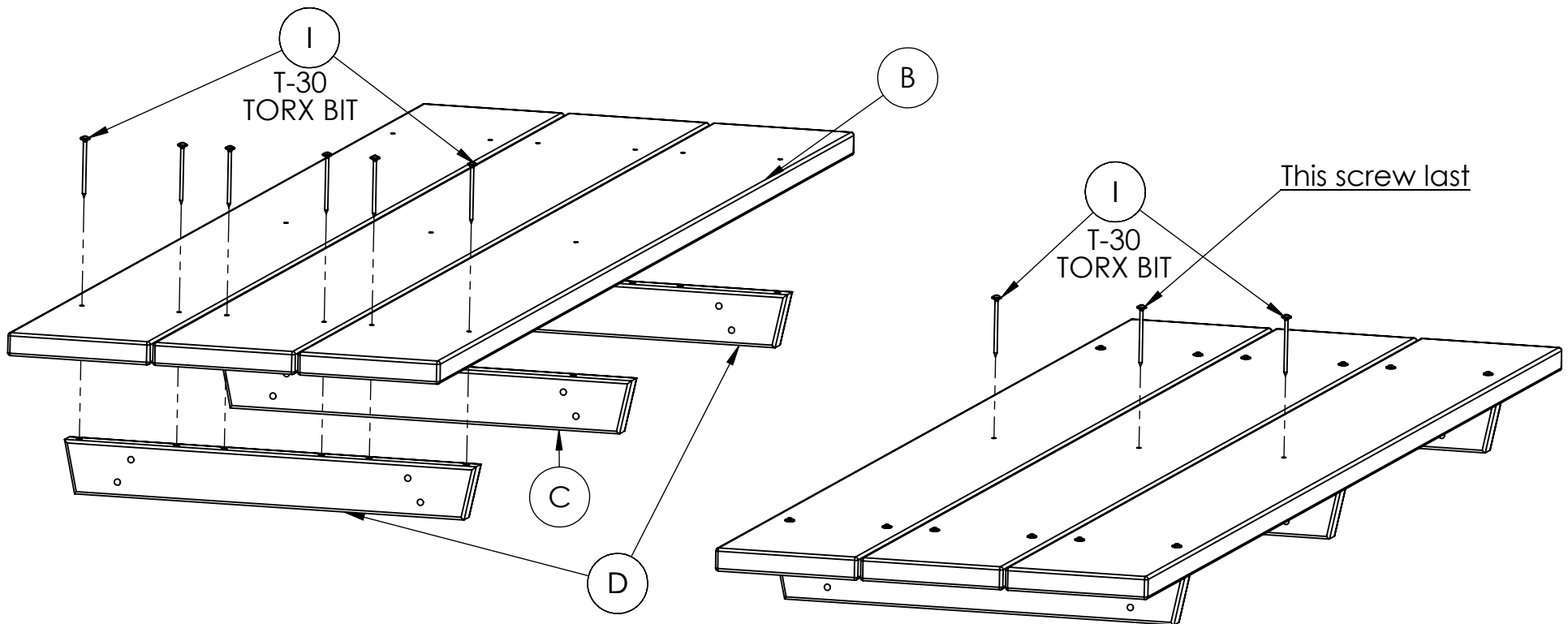
**NOTE: IT IS IMPORTANT TO KEEP ALL BOLTS FINGER TIGHT
DURING ASSEMBLY UNTIL ENTIRE TABLE IS ASSEMBLED**

**HARDWARE &
TOOLS REQUIRED
FOR ASSEMBLY**

RECYCLED PLASTIC TABLE INSTRUCTIONS TB1105

Step 1 Tabletop Assembly

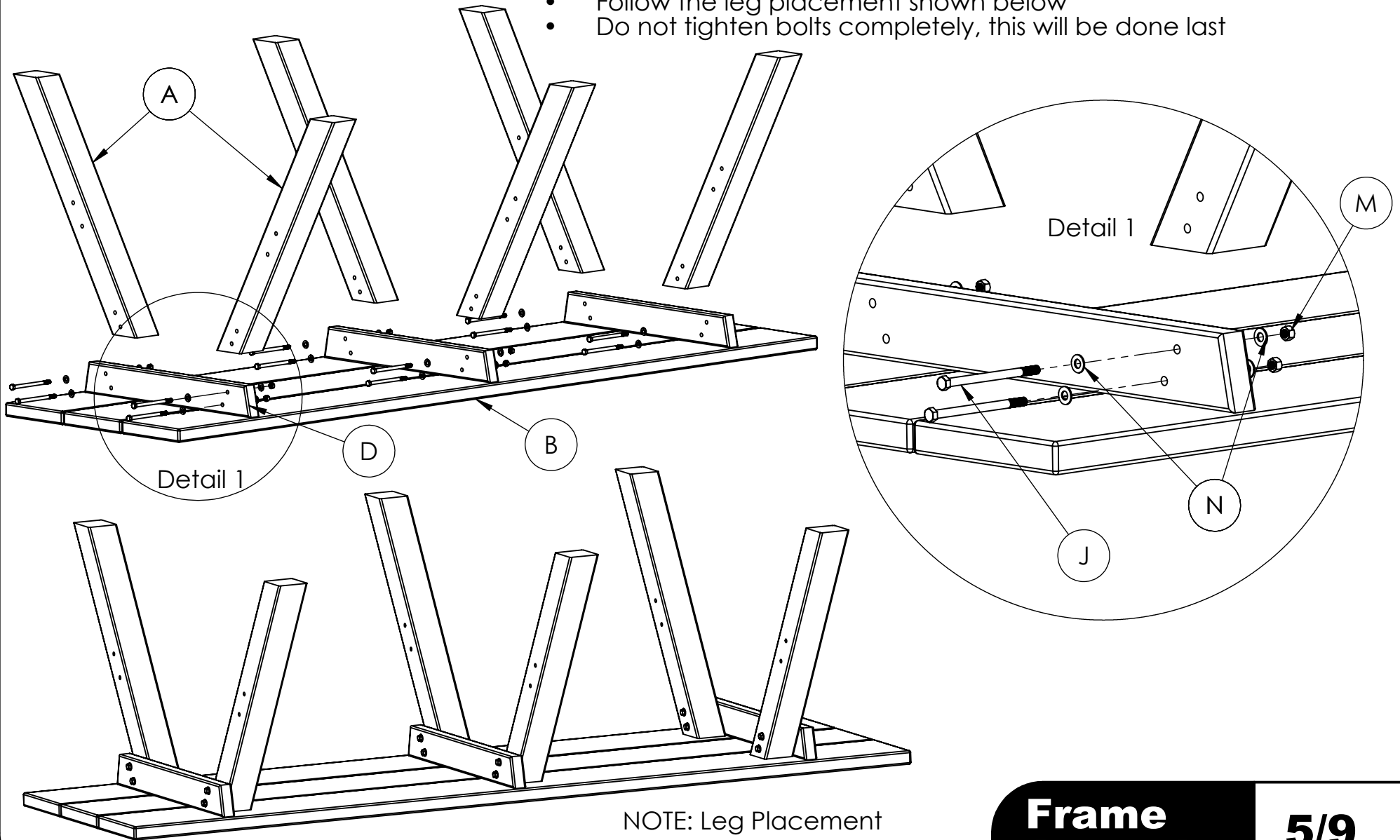
- Lay all tabletop supports (C&D) out on a level surface with tabletop support C in the center
- Place 3 plastic boards (B) on top of the tabletop supports (C&D)
- Align the holes in the plastic boards (B) with the predrilled holes in the outer tabletop supports (D)
- Attach the plastic boards to the outer tabletop supports with (12) round head lag screws (I)
Use supplied T-30 Torx Bit
- Align the holes in the center of the plastic boards (B) with the predrilled holes in center tabletop support (C)
- Secure the center tabletop support (C) to the plastic boards with (3) round head lag screws (I), working from the outside towards the center



RECYCLED PLASTIC TABLE INSTRUCTIONS TB1105

Step 2 Leg Assembly

- Turn the tabletop assembly upside down
- Align the table legs (A) with the tabletop supports (C&D)
- Insert a 3/8" x 5" hex bolt (J) with a 3/8" flat washer (N) thru the tabletop support (D) and table leg (A)
- Secure with a 3/8" flat washer (N) and 3/8" nylon lock nut (M)
- Repeat for each table leg
- Follow the leg placement shown below
- Do not tighten bolts completely, this will be done last



NOTE: Leg Placement

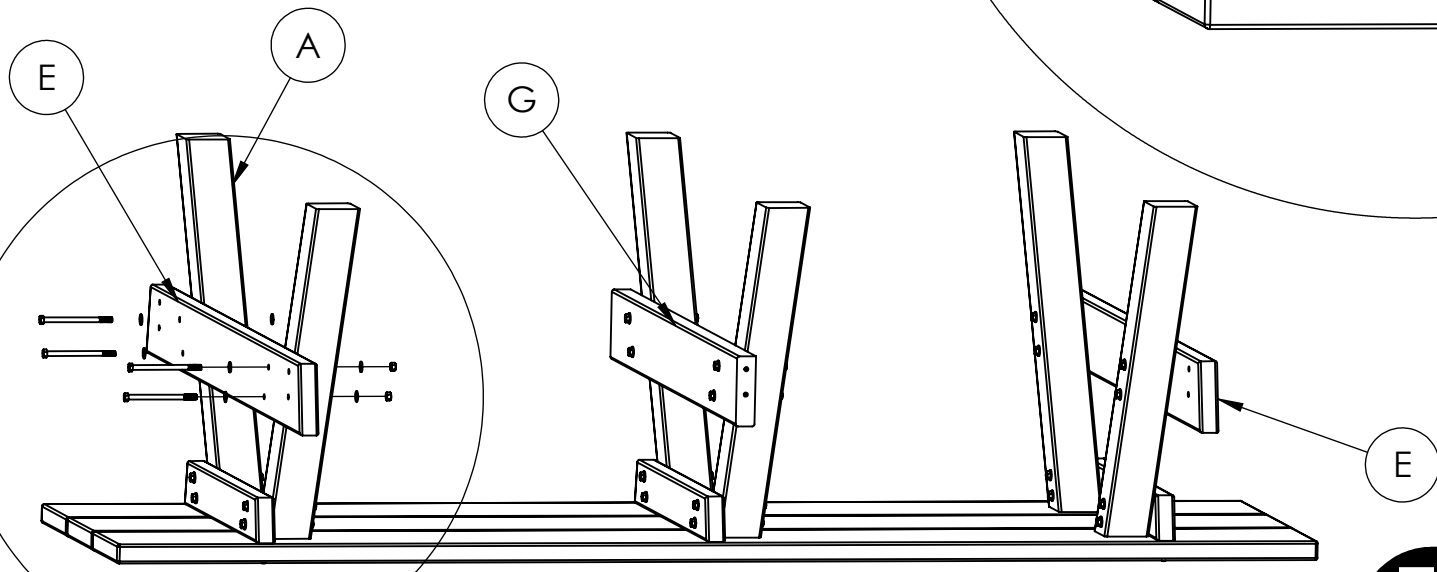
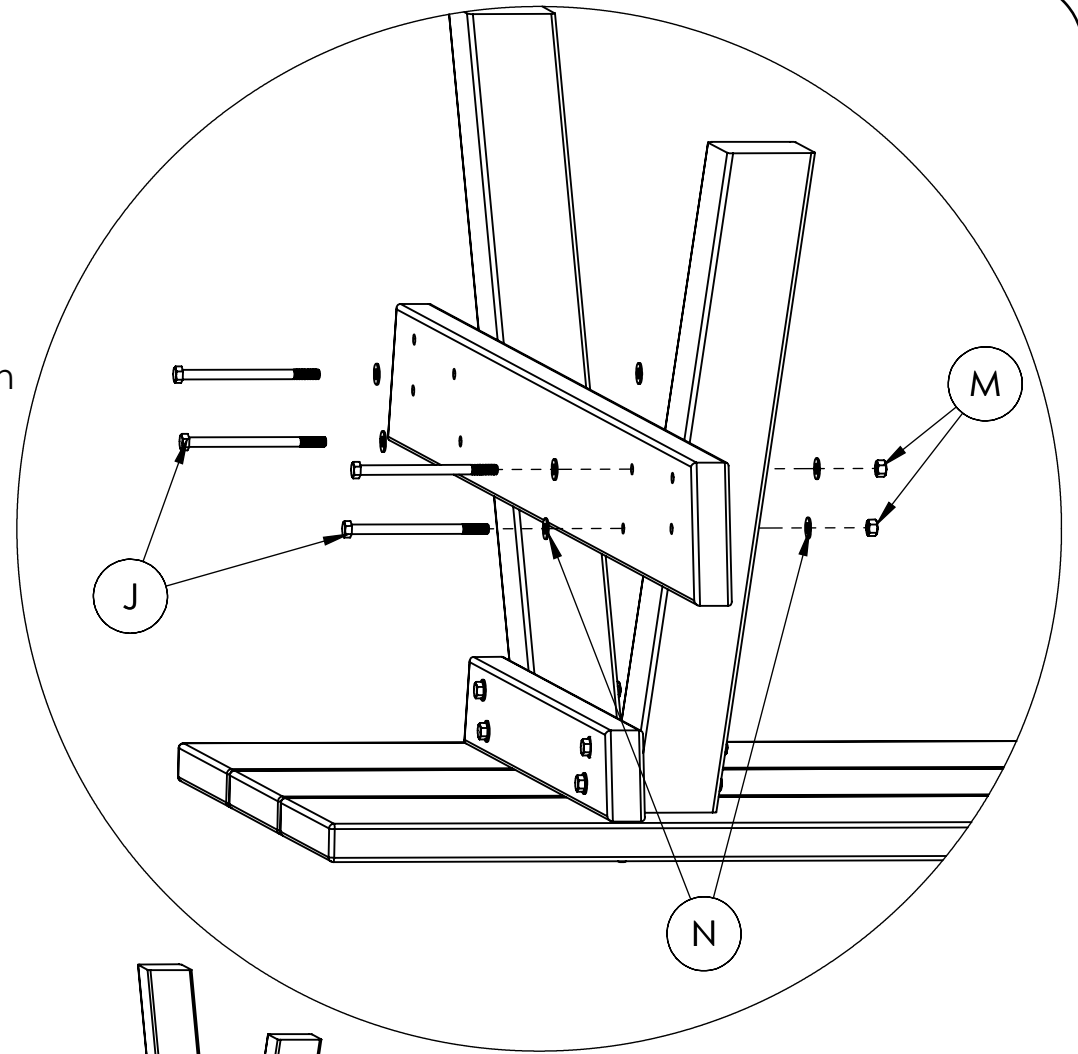
**Frame
Assembly**

5/9

RECYCLED PLASTIC TABLE INSTRUCTIONS TB1105

Step 3 Cross Seat Supports

- Align the cross seat support (E) with an outside table leg (A)
- Insert a 3/8" x 5.5" hex bolt (J) with a 3/8" flat washer (N) thru each hole in the cross seat support (E) and table leg (A)
- Secure with a 3/8" flat washer (N) and 3/8" nylon lock nut (M)
- Repeat for the other cross seat support (E) and the center cross seat support (G)
- Note the location on the table legs below

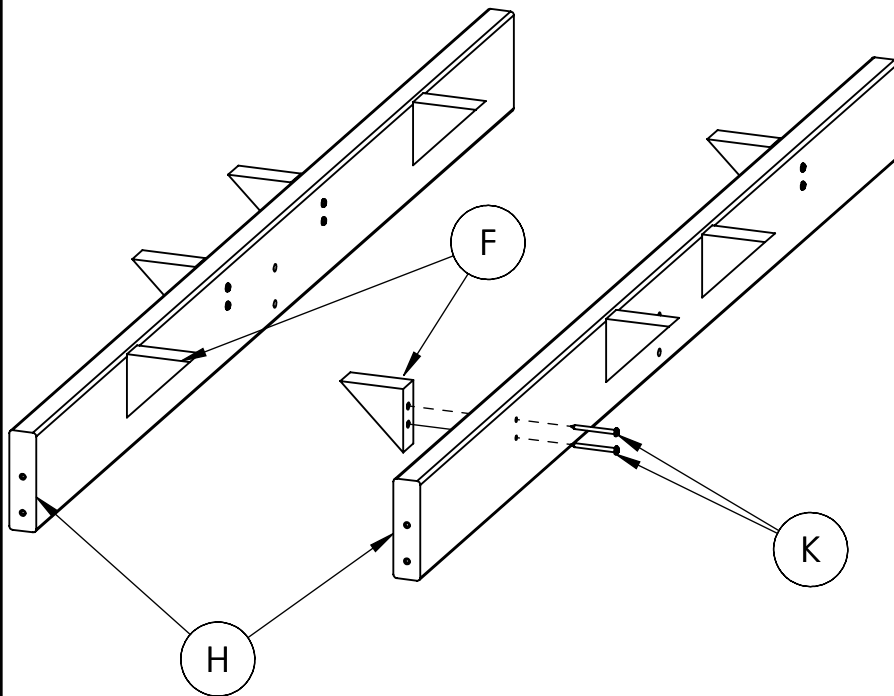


NOTE: Cross seat support locations

RECYCLED PLASTIC TABLE INSTRUCTIONS TB1105

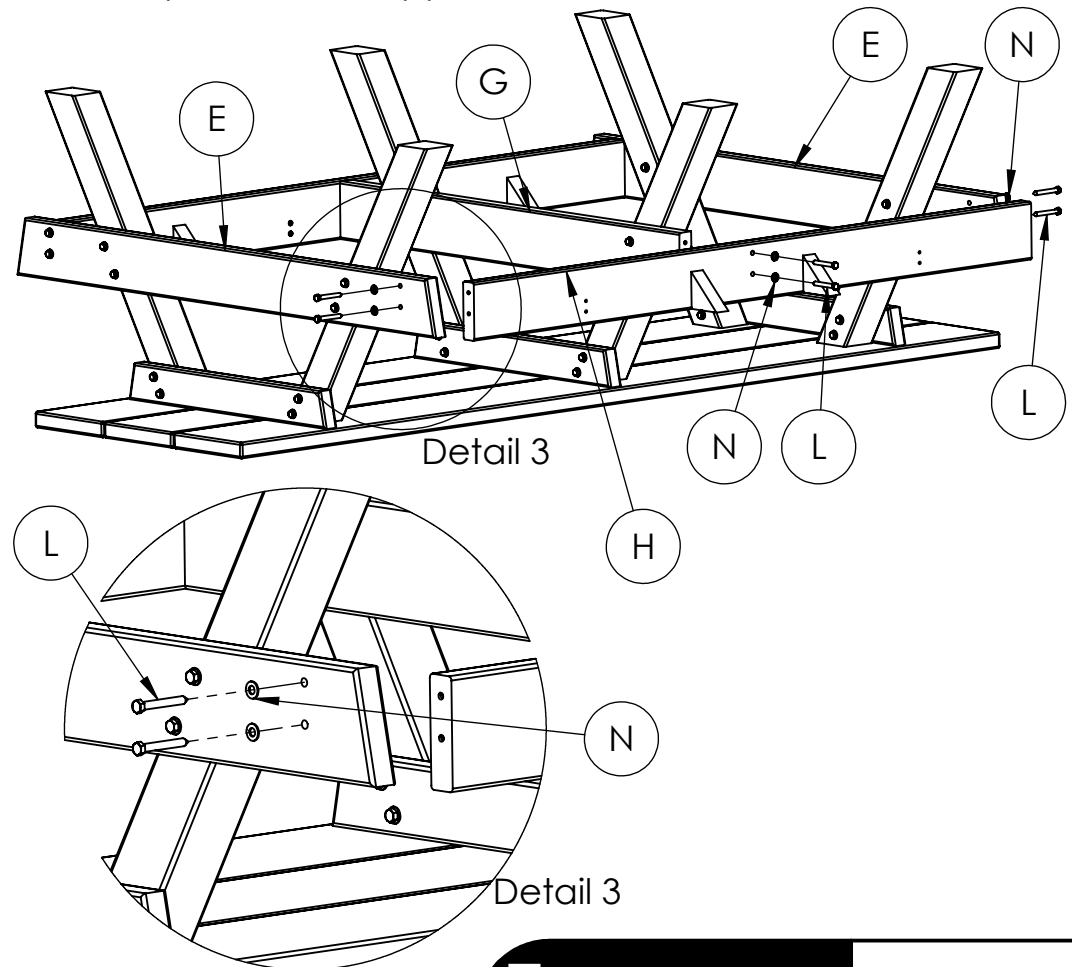
Step 4 Triangle Supports

- Place the under seat supports (H) on a level surface
- Align the predrilled holes in the under seat support (H) and the triangle support (F)
- Secure (4) triangle supports (F) to each under seat support (H) with #12 x 2.5" pan head screws (K)



Step 5 Under Seat Supports

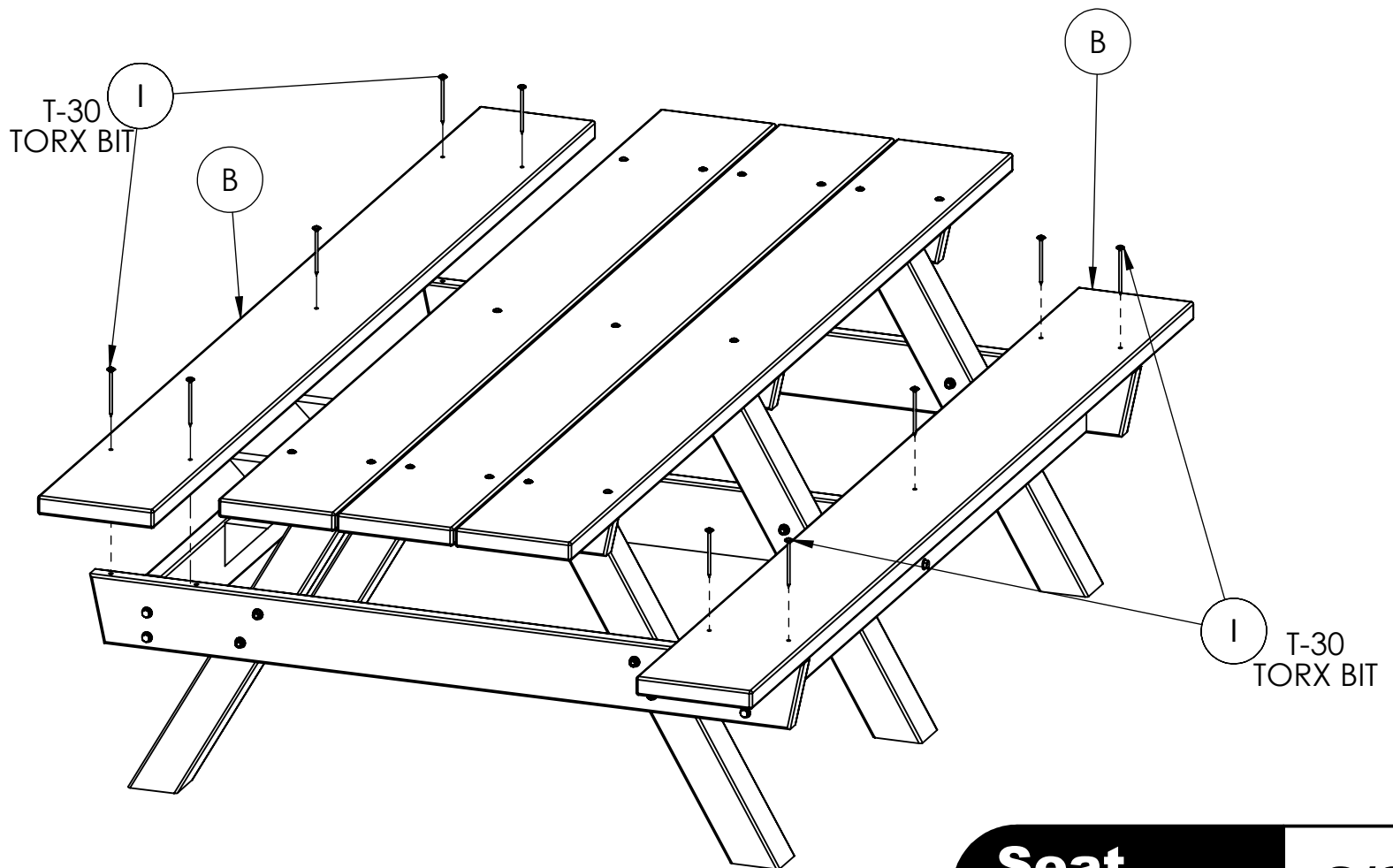
- Place the under seat support (H) in between the cross seat supports (E)
- Align the predrilled holes in the face of the cross seat support (E) with the predrilled holes in the end of the under seat support (H)
- Secure each end with 3/8" x 3" hex lag bolt (L) and a 3/8" flat washer (N) per each hole
- Secure the under seat support to the center cross seat support (G) with 3/8" x 3" hex lag bolt (L) and a 3/8" flat washer (N) per each hole
- Repeat for the opposite side



RECYCLED PLASTIC TABLE INSTRUCTIONS TB1105

Step 6 Seat Assembly

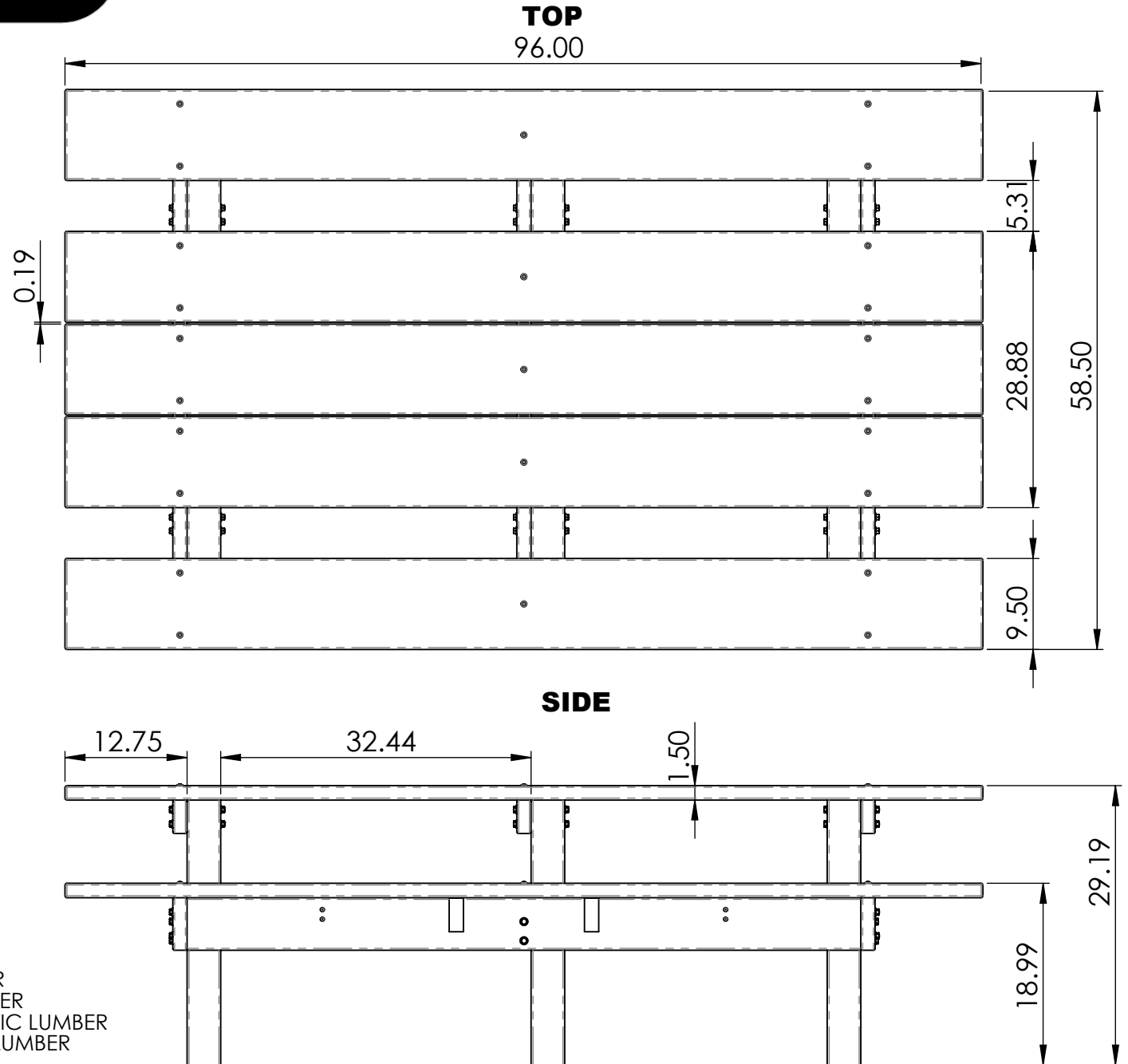
- With 2 people, carefully turn the table right side up
- Place a plastic board (B) over the under seat support (H)
- Align the holes in the plastic board (B) with the predrilled holes in the under seat support (H)
- Secure the plastic board (B) with one round head lag screw (I) per hole. Use supplied T-30 Torx Bit
- Repeat for the opposite seat area
- Square all parts and tighten all hardware



**RECYCLED PLASTIC
TABLE SPECIFICATIONS
TB1105**

REV# 2
8-8-2018

ALL DIMENSIONS SHOWN IN INCHS



CONSTRUCTION MATERIALS:

- LEGS - 4X4 RECYCLED PLASTIC LUMBER
- SEATS - 2X10 RECYCLED PLASTIC LUMBER
- SEAT SUPPORTS - 2X6 RECYCLED PLASTIC LUMBER
- TABLE TOP - 2X10 RECYCLED PLASTIC LUMBER

HARDWARE:
STAINLESS STEEL