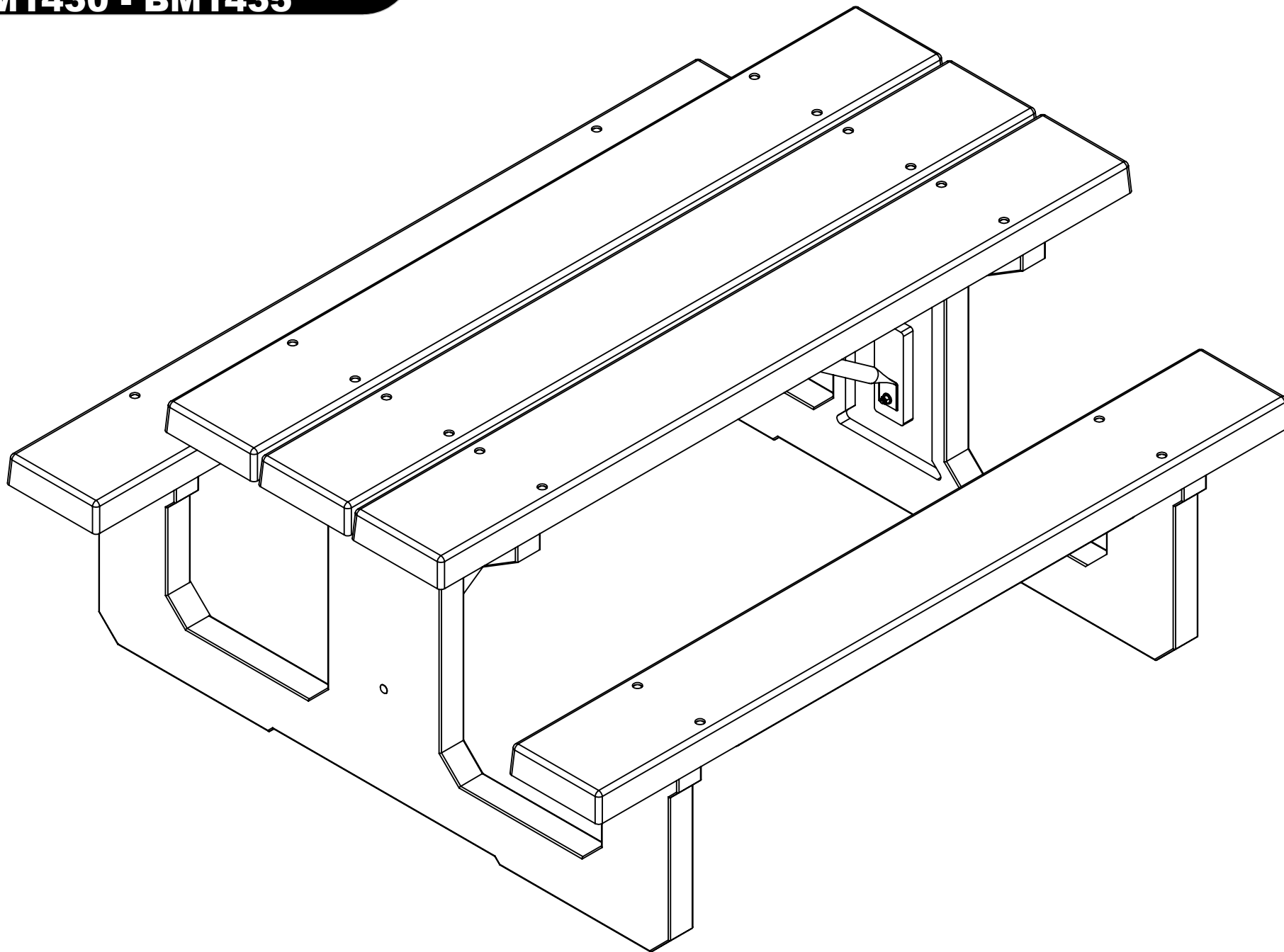
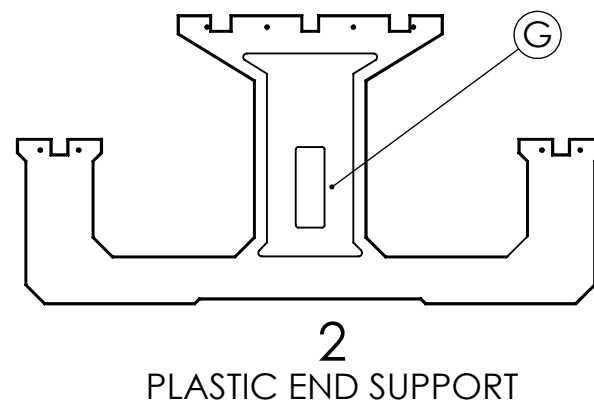
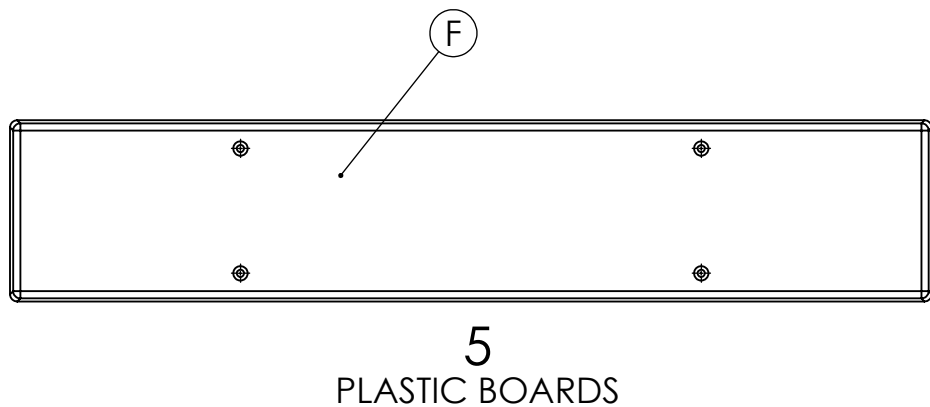
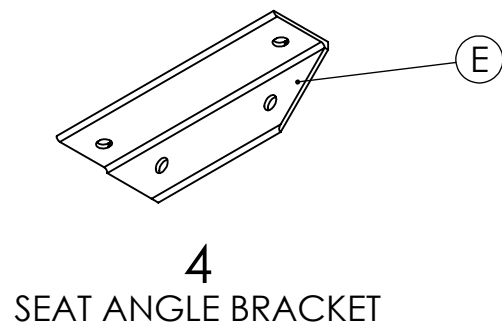
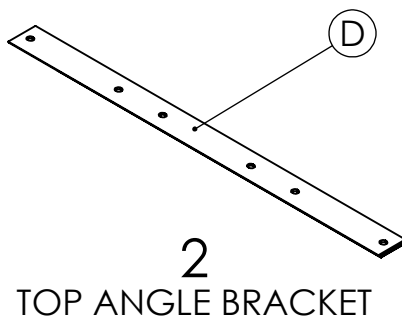
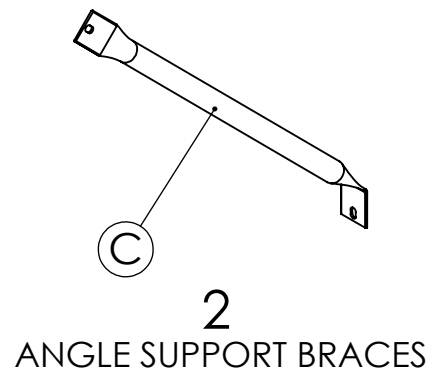
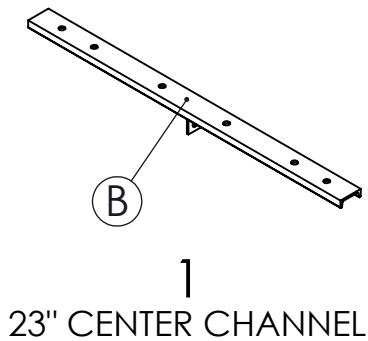
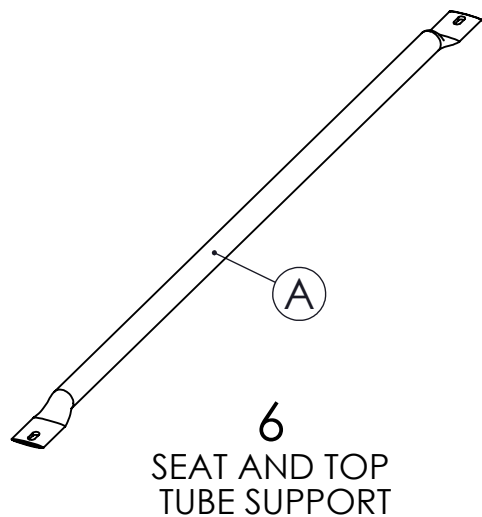


**Walk-Thru Table
Instructions
BM1430 - BM1435**

REV # 1



Walk-Thru Table Instructions BM1430 - BM1435



REQUIRED TOOLS (NOT INCLUDED)

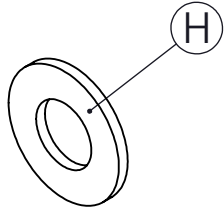
- 1 - 1/2" WRENCH
- 1 - 1/2" SOCKET
- 1 - 7/16" SOCKET
- 1 - 1/8" DRILL BIT
- POWER DRILL

NOTE: IT IS IMPORTANT TO KEEP ALL BOLTS FINGER TIGHT DURING ASSEMBLY UNTIL ENTIRE TABLE IS ASSEMBLED

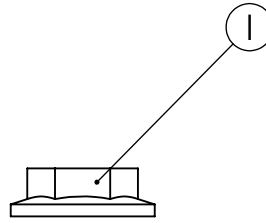
**HARDWARE &
TOOLS REQUIRED
FOR ASSEMBLY**

2/8

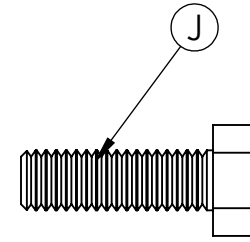
Walk-Thru Table Instructions BM1430 - BM1435



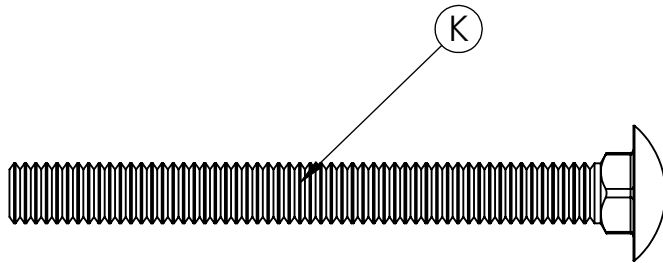
8
EXTRA THICK WASHER



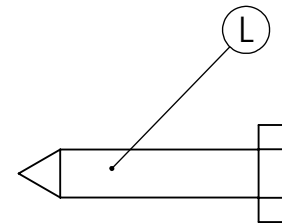
23
5/16" FLANGE NUT



1
5/16-18 X 1" HEX BOLT



22
5/16-18" X 3.25" CARRIAGE BOLT

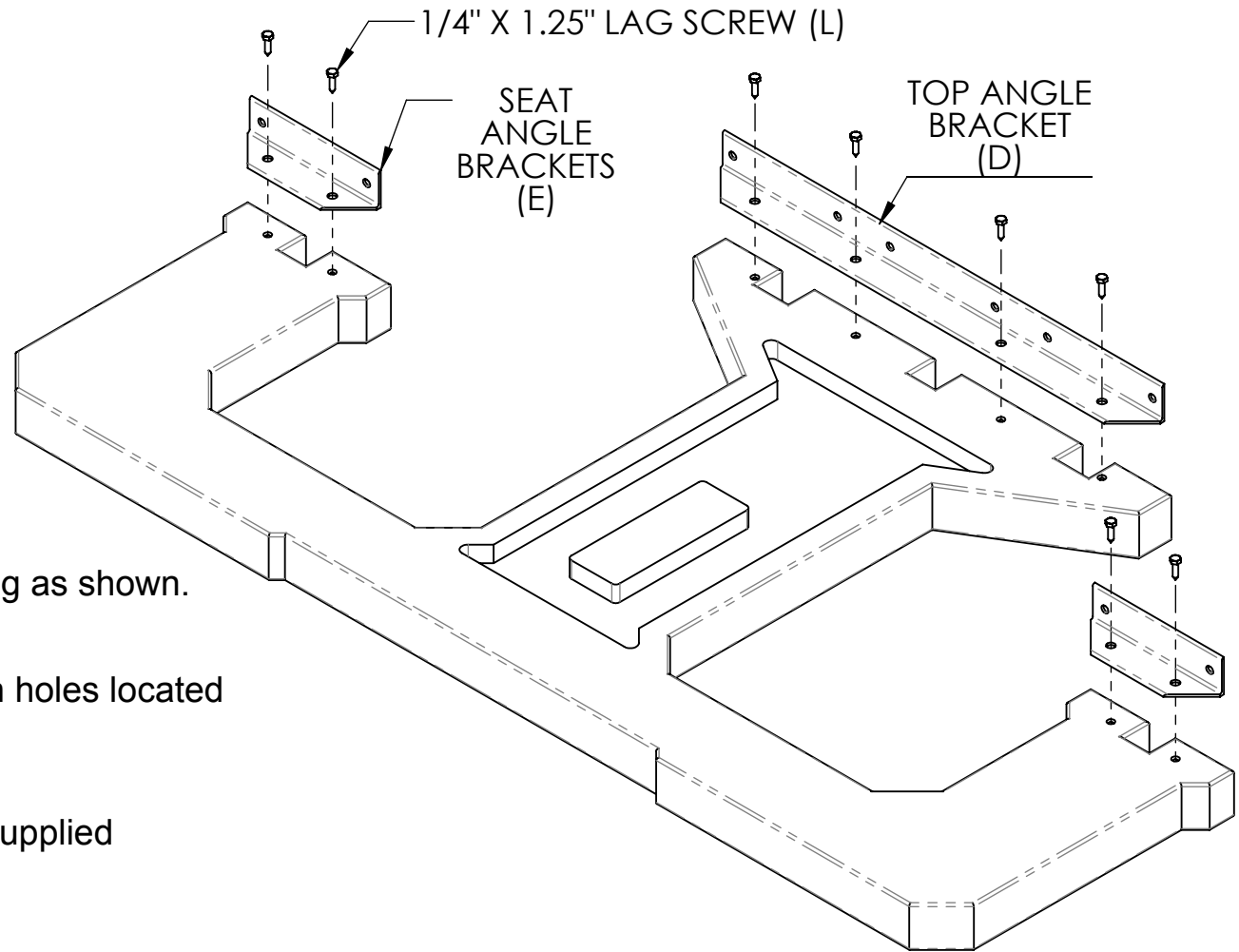


22
1/4" X 1.5" LAG SCREW

**Walk-Thru Table
Instructions
BM1430 - BM1435**

ATTENTION!

BEFORE STARTING TABLE ASSEMBLY, PLEASE ATTACH ANGLE BRACKETS TO TABLE LEGS AS SHOWN BELOW.



Step 1
Place angle brackets onto table leg as shown.

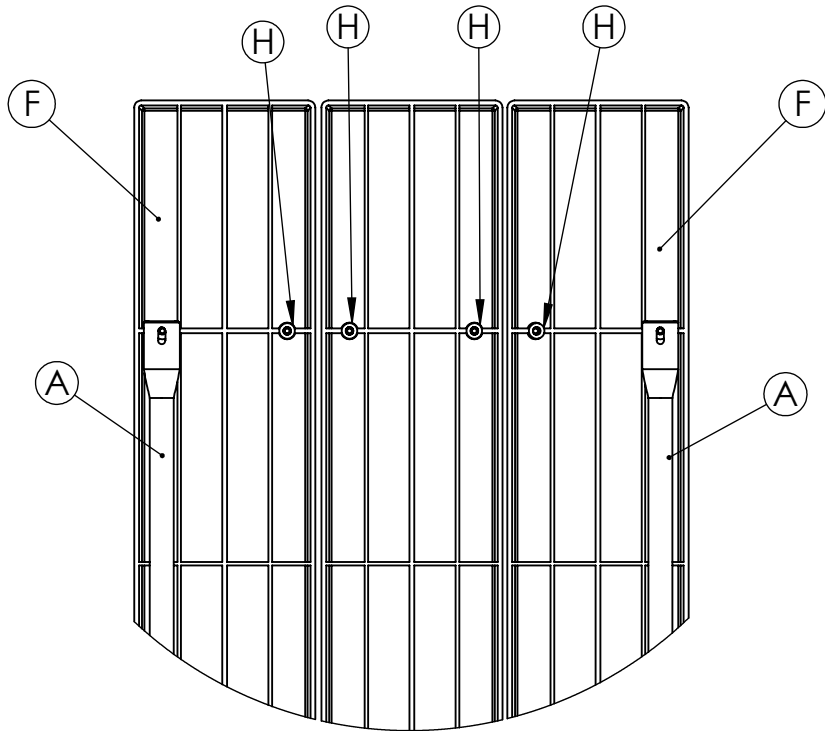
Step 2
Align holes on angle brackets with holes located on table leg.

Step 3
Fasten angle brackets using the supplied 1/4" x 1.25" Lag Screws.

Walk-Thru Table Instructions BM1430 - BM1435

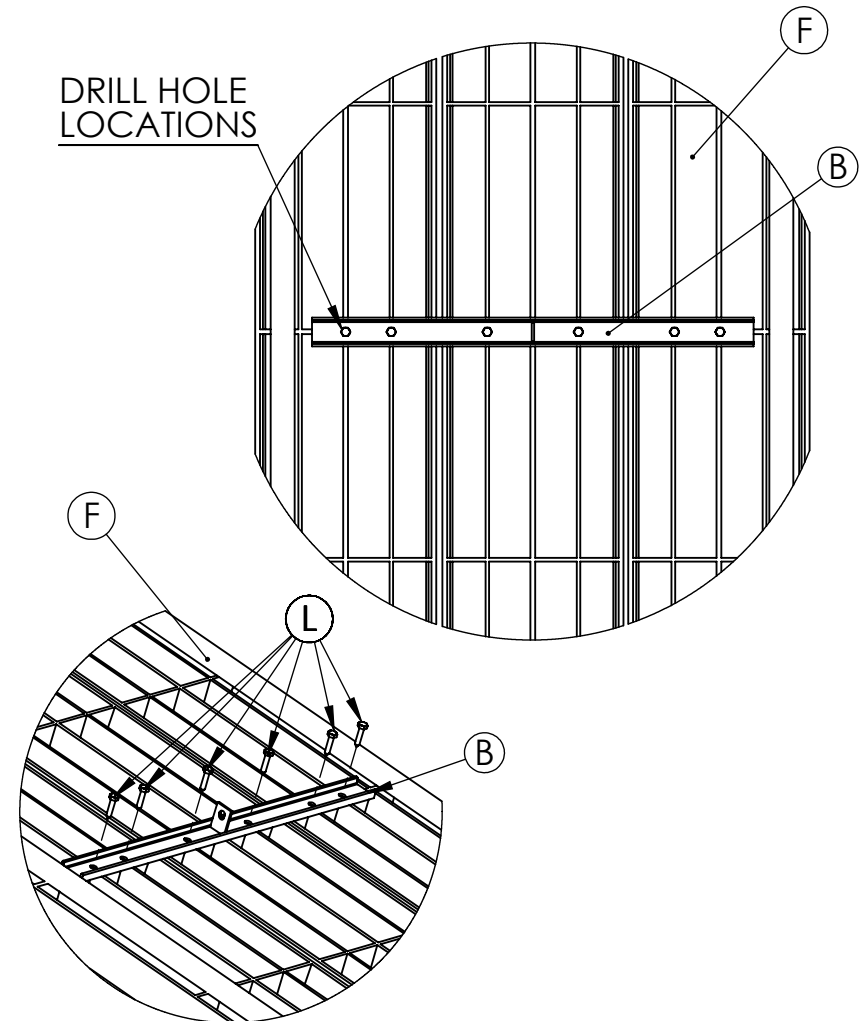
STEP #1 Tabletop Assembly

- Lay 3 boards (F) top side down on a flat clean surface
- Insert twelve 3-1/2" x 5/16" (K) carriage bolts into the holes from the face of the board
- Insert 8 thick washers (H) on the 4 center bolts on each end
- Add tubes (A) on to the outermost bolts with tubes laying flat against boards.



STEP #2 Tabletop Assembly

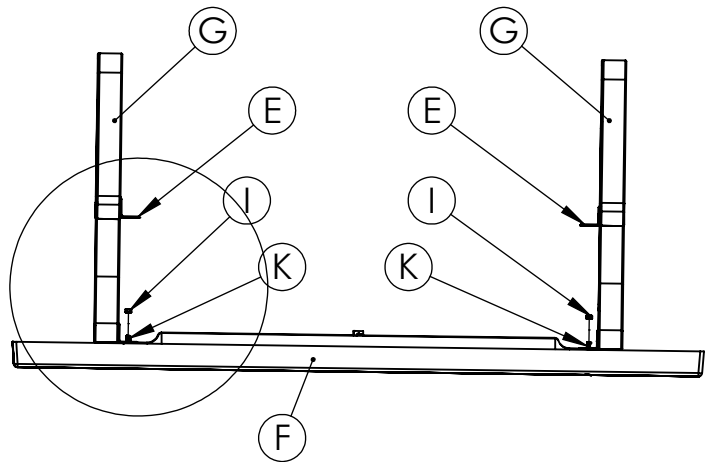
- Lay the 23" center channel (B) in the center of the tabletop assembly
- Drill 6 additional 1/8" pilot holes 1/2" deep in the center of the cross section of the boards at the hole locations in the 23" channel
- With six 1-1/4" x 1/4" lag screws (L) secure the 23" center channel to the boards.



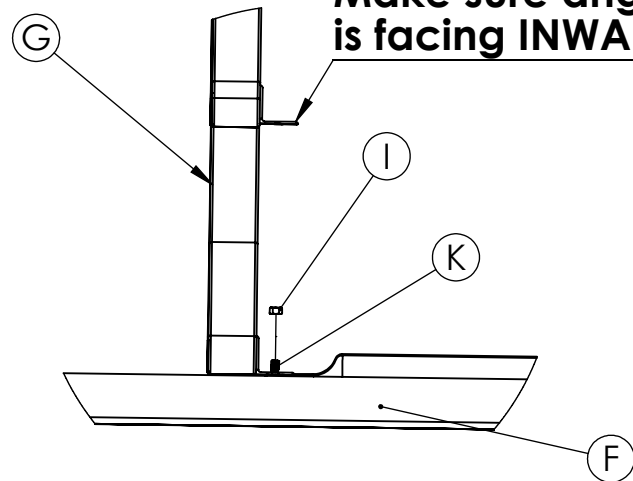
Walk-Thru Table Instructions BM1430 - BM1435

STEP #3 Installing Plastic End Supports

- Take plastic end supports with the angle brackets attached, flip them upside down and onto the tabletop assembly of boards, thick washers, and top tube supports
- Hand tighten the ends onto the boards with 5/16" flange nuts (I)

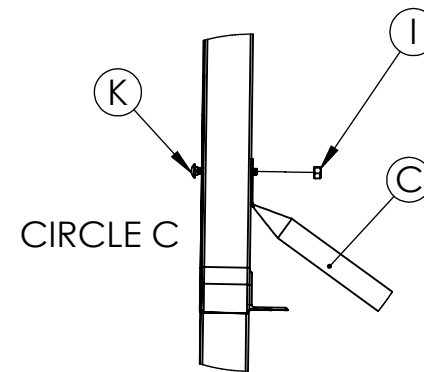
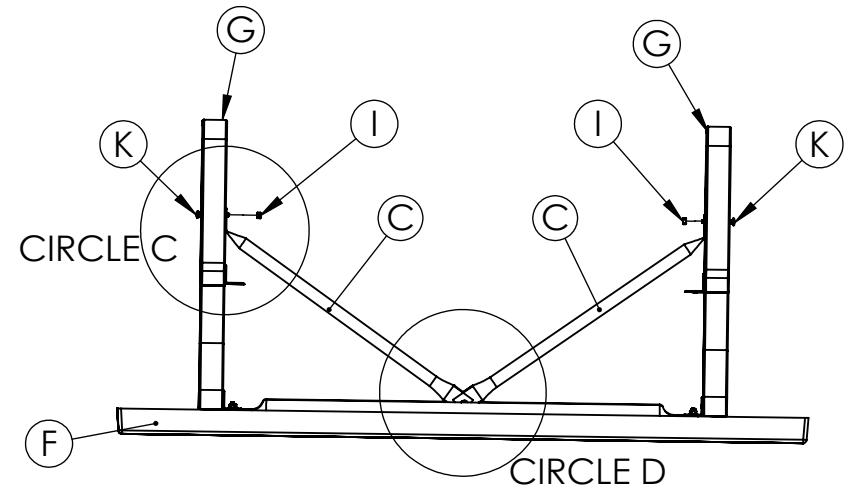


Make sure angle bracket is facing INWARD

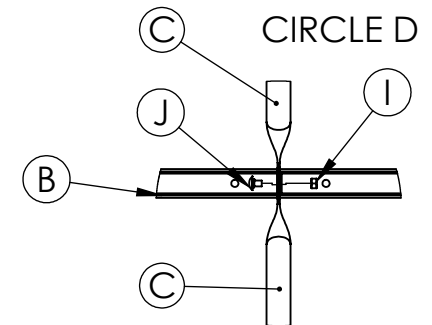


STEP #4 Installing angle support brace

- Place a 5/16" x 1" hex bolt (H) through the two angle support braces and 23" center channel
- Hand tighten with a flange nut (J) See CIRCLE C
- Attach the angle support braces to the steel frames with 5/16" x 1" hex bolts (H) See CIRCLE D



Angle support brace connection to plastic end support

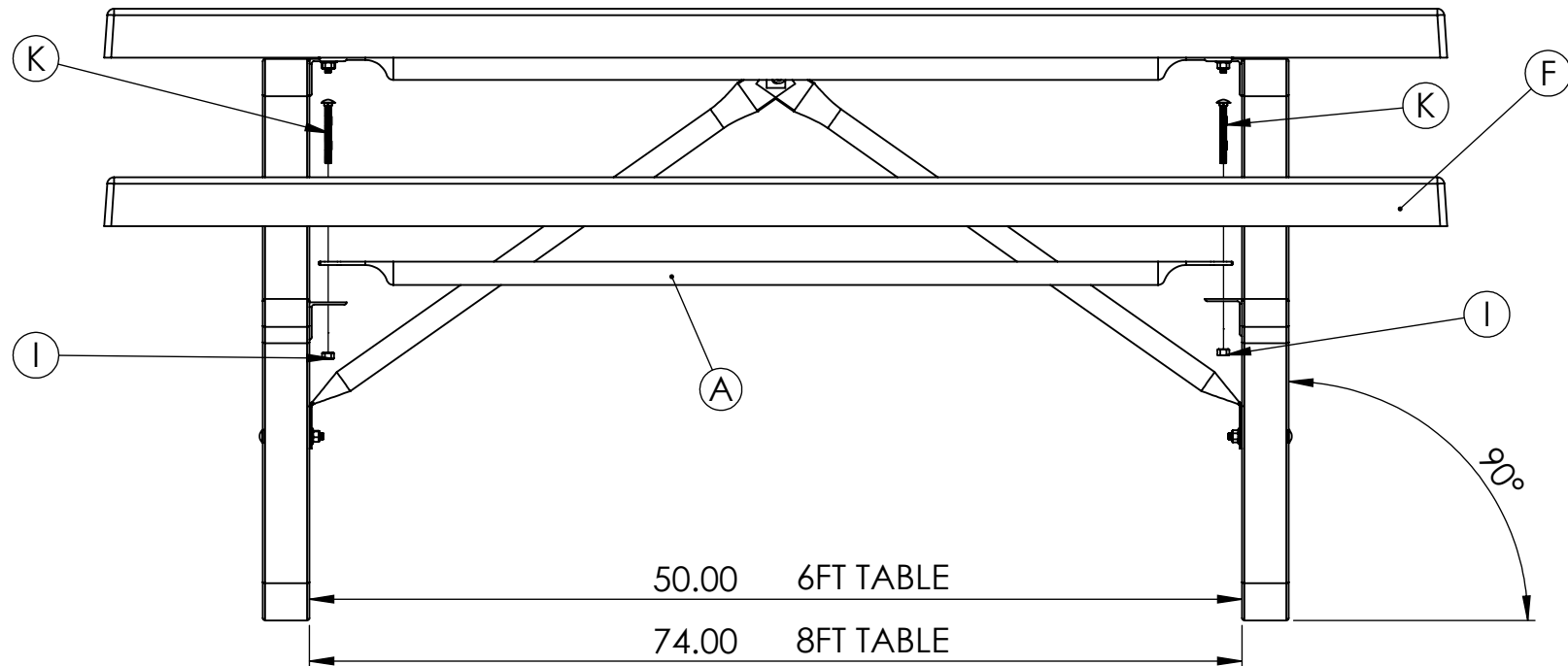


Angle support brace connection to center channel

Walk-Thru Table Instructions BM1430 - BM1435

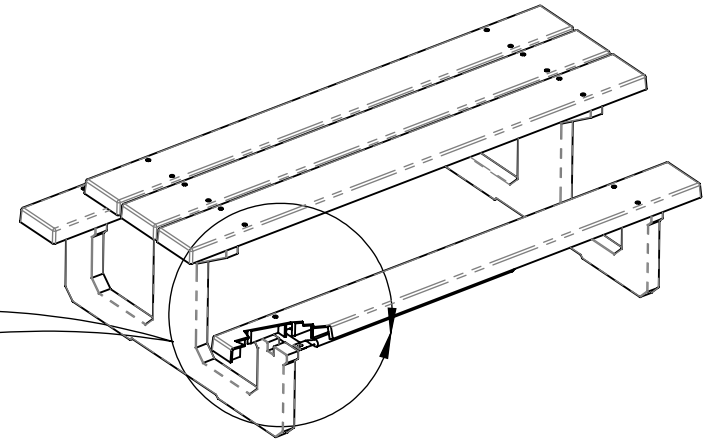
STEP #5 Installing seats

- With two people, carefully flip the table over
- Place 2 seat supports (A) over the two seat angle pieces (E) located on the plastic ends
- Place a board (F) over the supports. Align the holes of the plastic board up with the seat angle bracket (E)
- Place a 5/16" – 18 x 3.25" carriage bolt (K) through the holes on the board, through the seat support, then through the seat angle bracket and secure with a 5/16" flange nut.(I) See next page for more detail.
- Repeat this step on the opposite seat area.
- Make sure plastic table legs are square and plastic boards are aligned with each other and tighten all bolts and nuts.

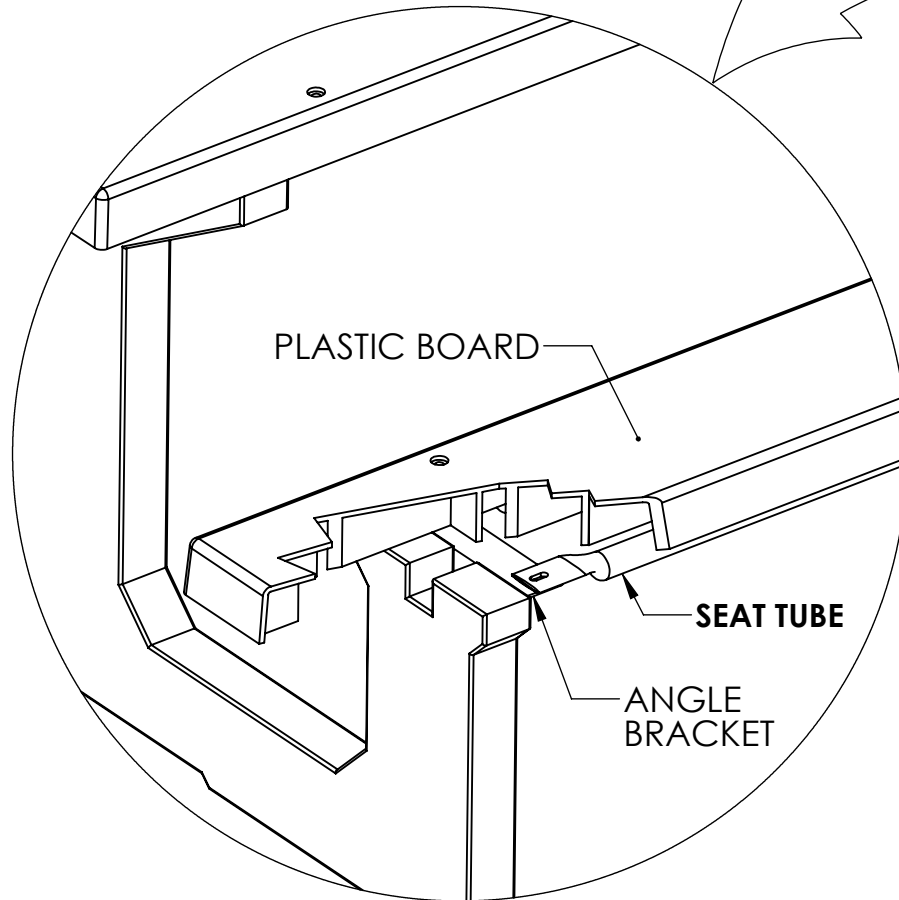


WALK-THRU TABLE SEAT CROSS-SECTION

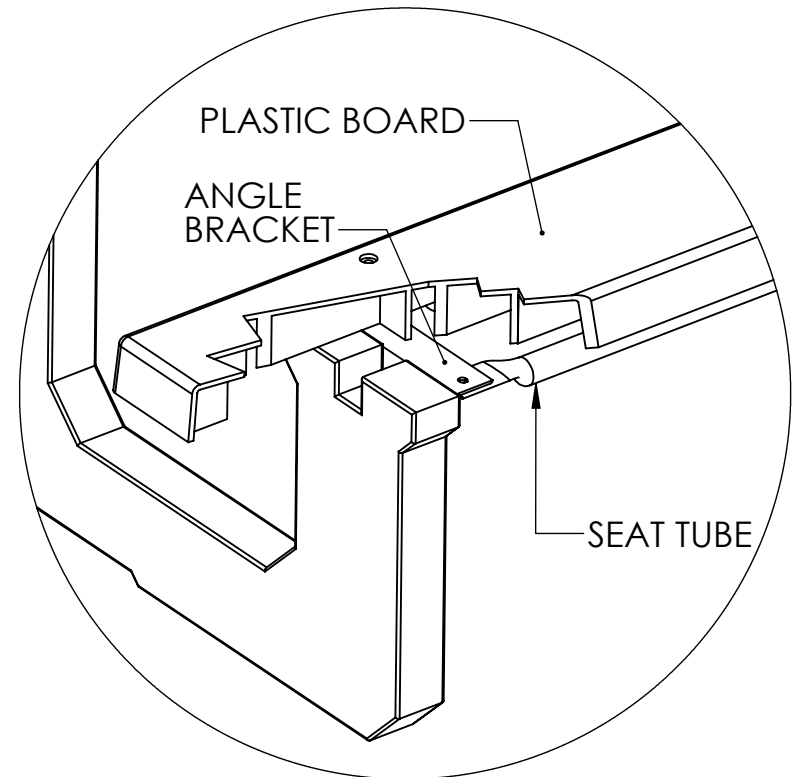
NOTE: WHEN INSTALLING PLASTIC BOARDS AND SEAT TUBES, THE SEAT TUBE SHOULD BE ATTACH ON THE TOP SIDE OF THE ANGLE BRACKET FOLLOWED BY THE PLASTIC BOARD AS SHOWN.



CORRECT



INCORRECT

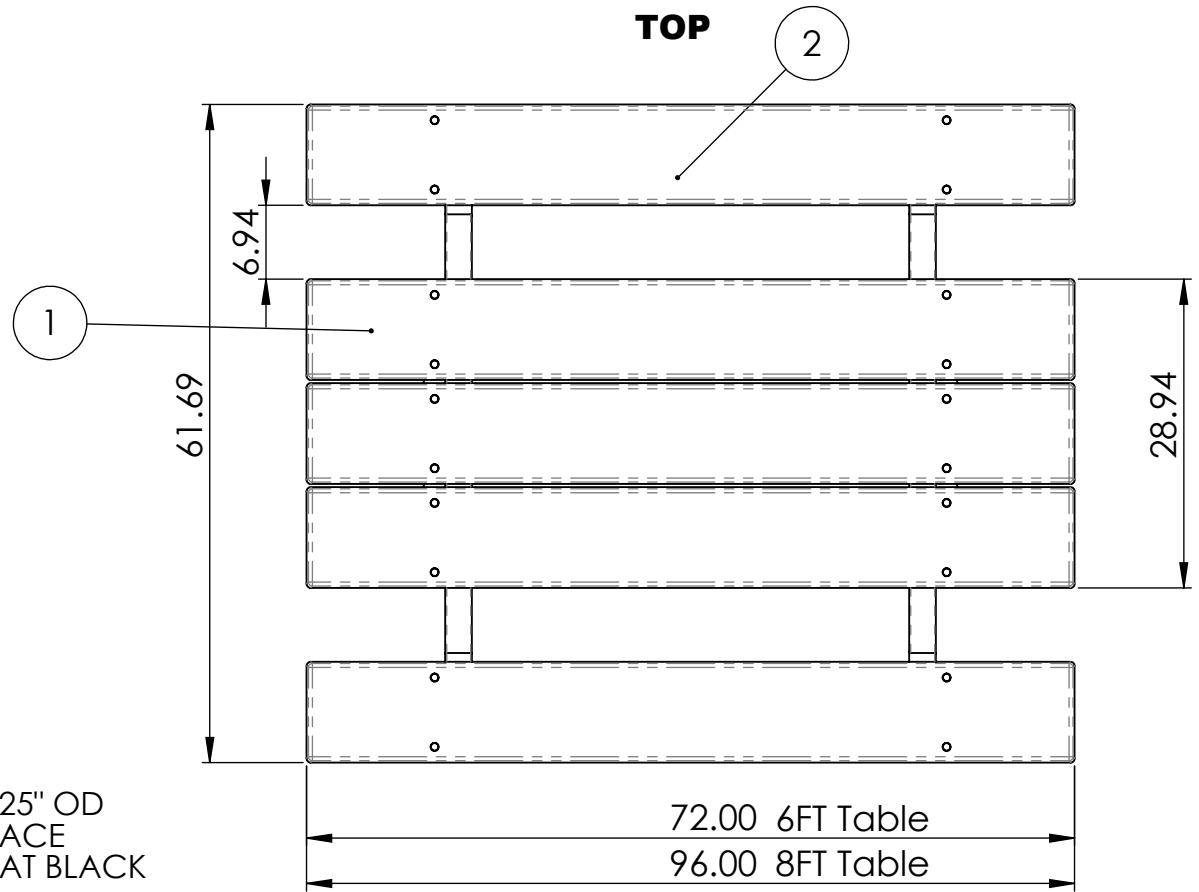


PLACE SEAT TUBE **ON TOP OF** ANGLE BRACKET, THEN PLACE PLASTIC BOARD **ON TOP OF** SEAT TUBES AS SHOWN IN THE ILLUSTRATION ABOVE.

Walk-Thru Table Specifications

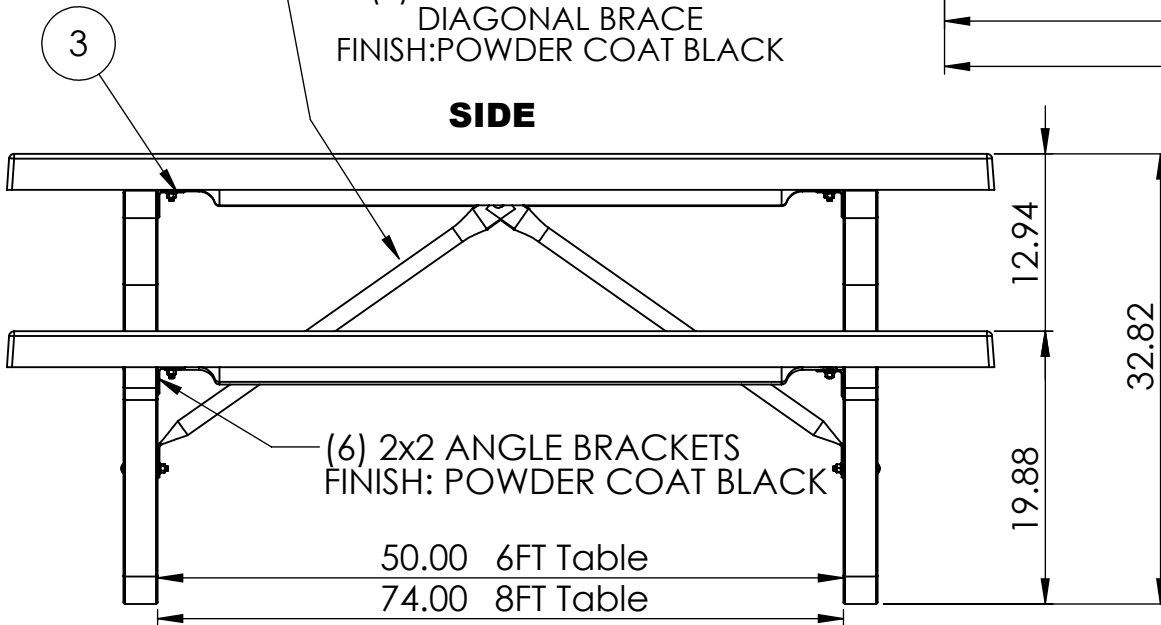
BM1430 - BM1435

TOP



(2) 16 GAUGE X 1.25" OD
DIAGONAL BRACE
FINISH: POWDER COAT BLACK

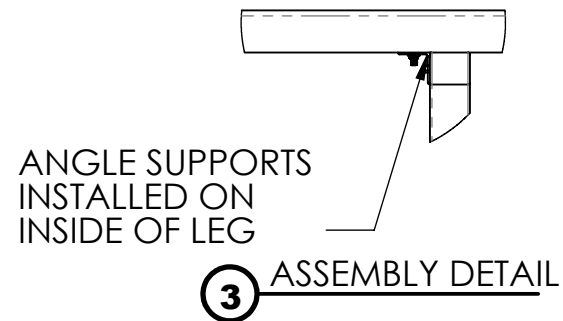
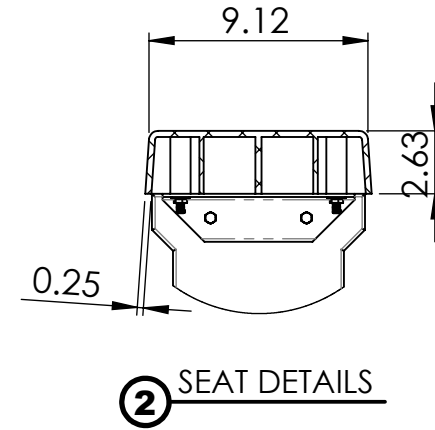
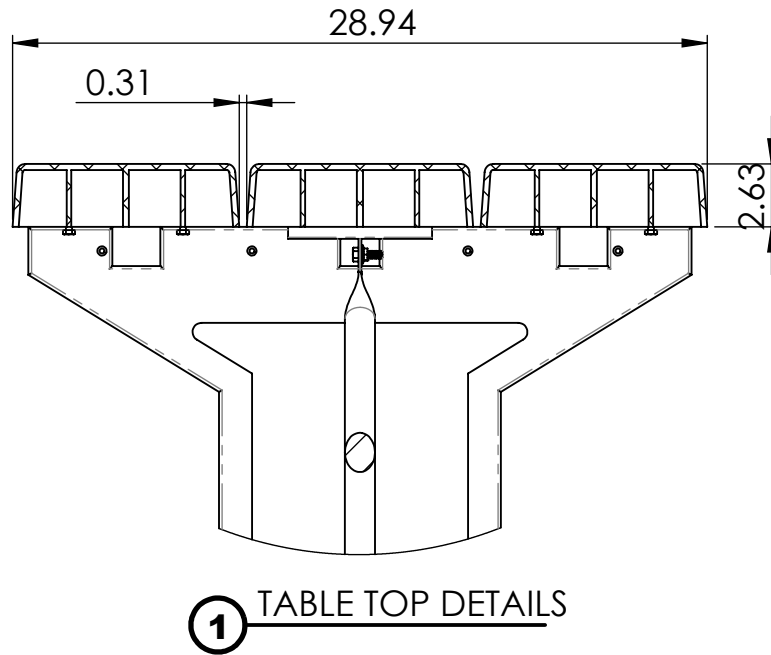
SIDE



(6) 2x2 ANGLE BRACKETS
FINISH: POWDER COAT BLACK

ALL DIMENSIONS ARE SHOWN IN INCHES

Walk-Thru Table Specifications BM1430 - BM1435



ALL DIMENSIONS ARE SHOWN IN INCHES

HARDWARE: ZINC PLATED
CONSTRUCTION MATERIALS: POWDER COATED METAL, PLASTIC