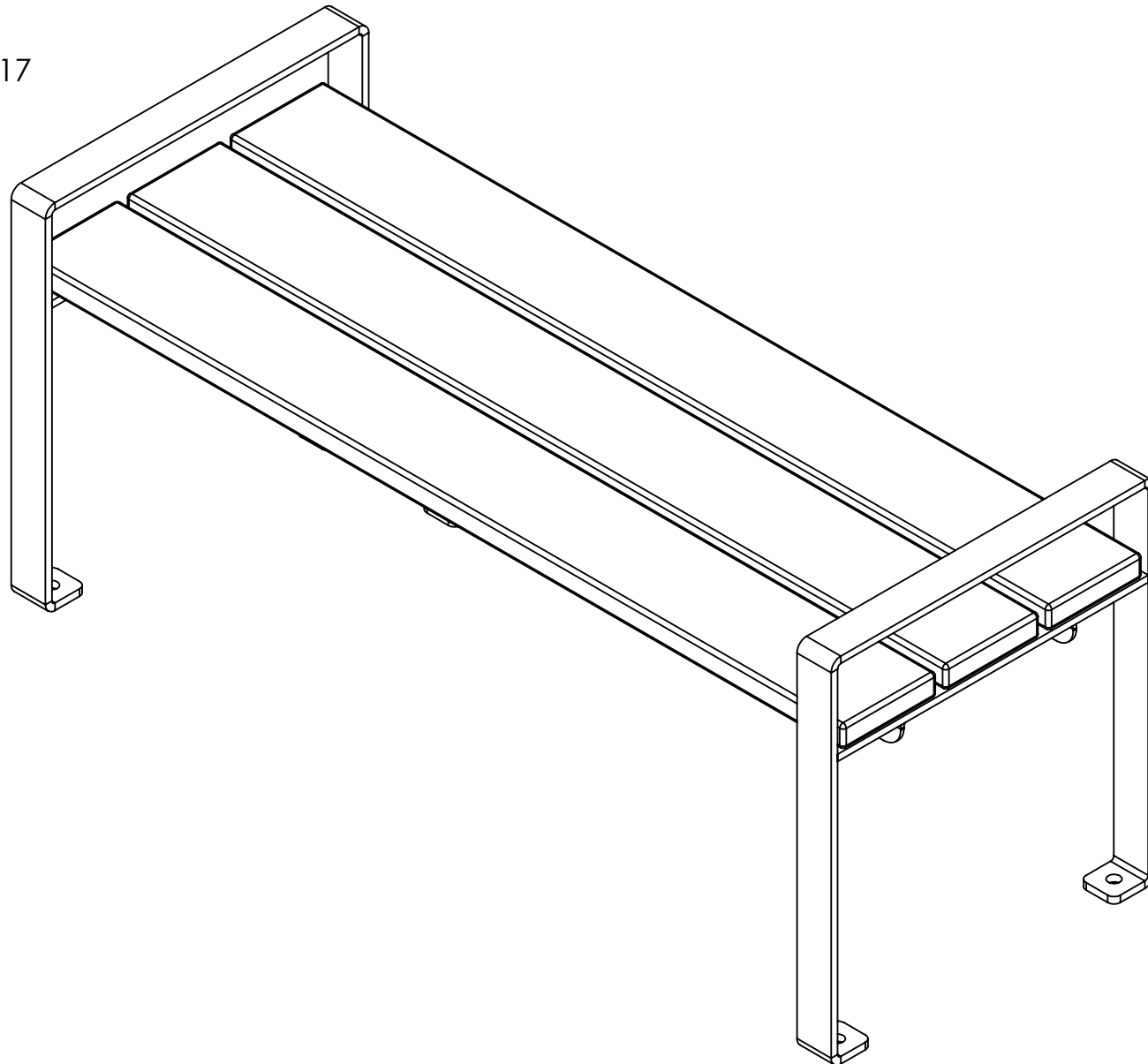


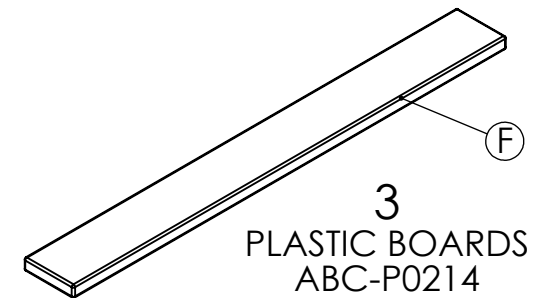
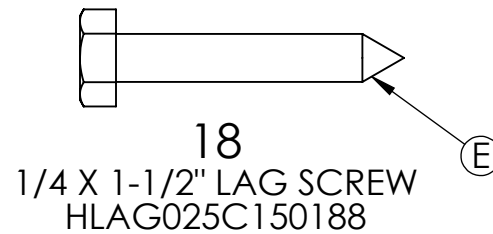
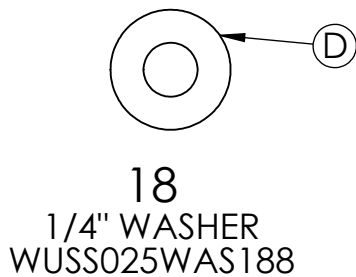
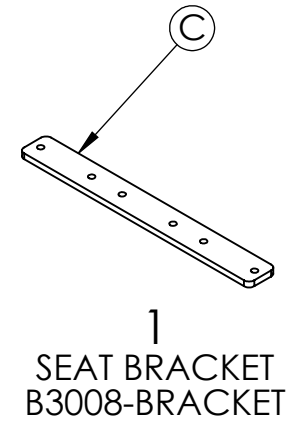
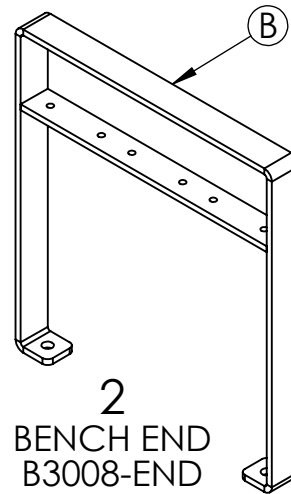
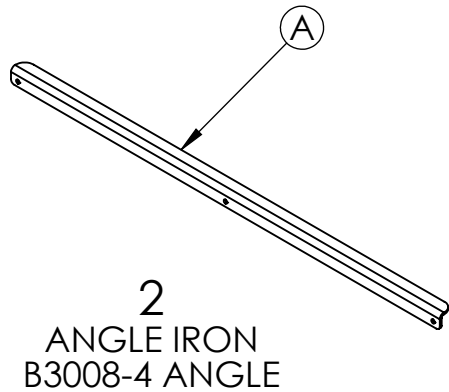
BENCH INSTRUCTIONS

BC1934

REV# 1
2/24/2017



BENCH INSTRUCTIONS



**REQUIRED TOOLS
(NOT INCLUDED)**
- 7/16 WRENCH / SOCKET
- 90 DEGREE SQUARE

**NOTE: IT IS IMPORTANT TO KEEP ALL SCREWS LOOSE
DURING ASSEMBLY UNTIL ENTIRE BENCH IS ASSEMBLED**

**HARDWARE &
TOOLS REQUIRED
FOR ASSEMBLY**

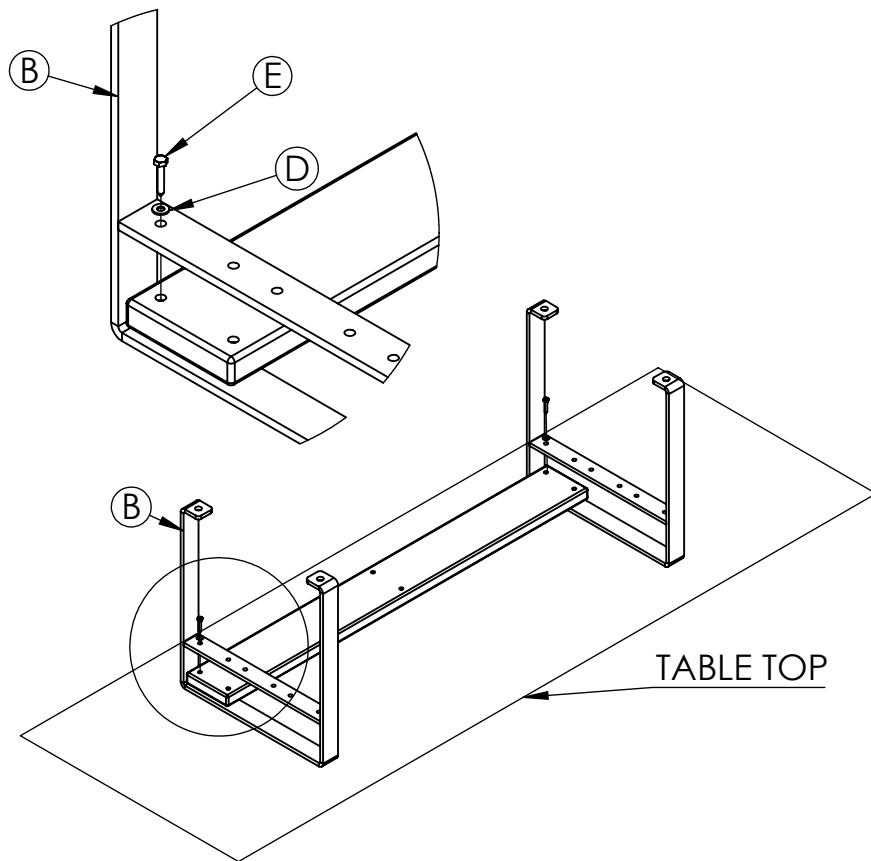
2/5

BENCH INSTRUCTIONS

STEP 1 Seat Assembly

- Set two bench ends (B) upside down on a table
- Lay a plastic board (F) under the end (B) closest to the leg
- Align the holes on the plastic board (F) with the holes on the bench ends (B)
- Secure the bench end (B) with the 1/4x1-1/2" lag screws (E) thru the 1/4" washer (D) thru the end (B) into the plastic board (F) closest to the leg

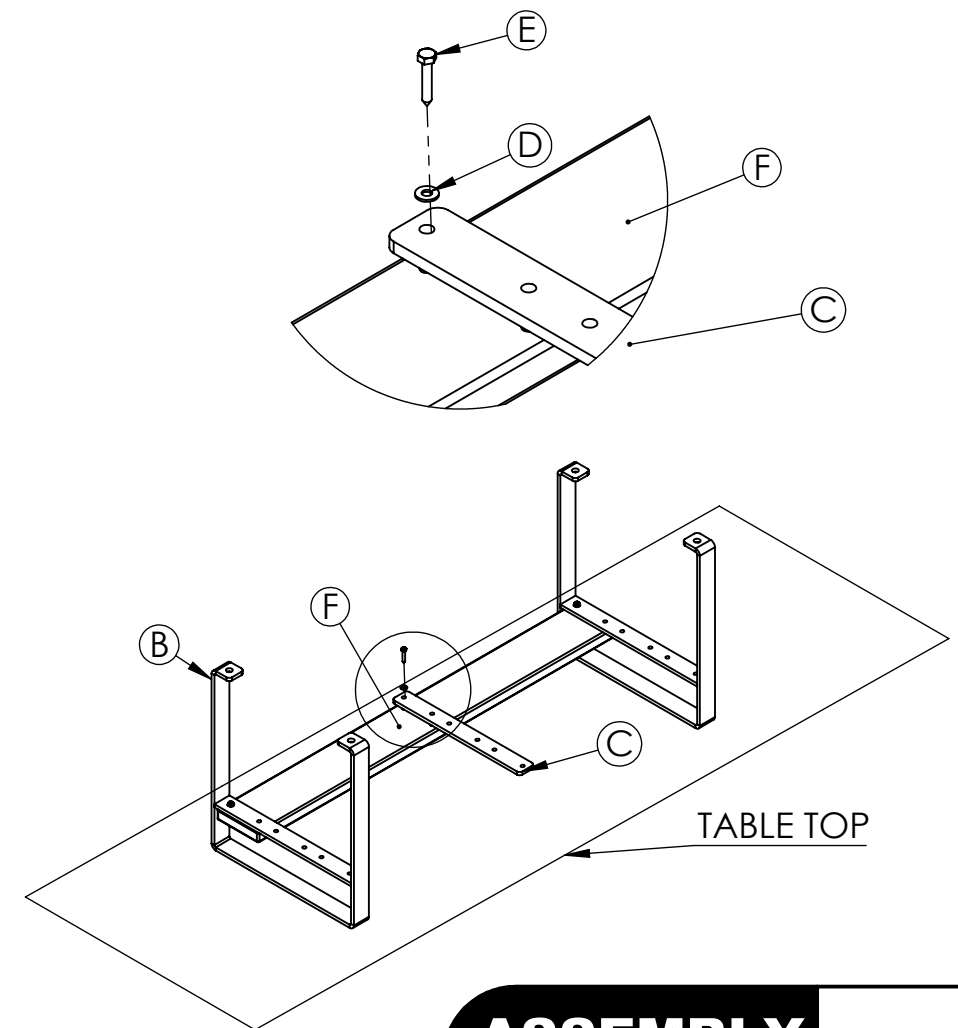
NOTE: ONLY ONE HOLE WILL HAVE LAG SCREWS, STEP 3 PLACES THE OTHER LAG SCREW INTO THE BOARD



STEP 2 Seat Assembly

- Lay the seat bracket (C) on the plastic board (F)
- Align the holes on the plastic board (F) with the holes on the seat bracket (C)
- Secure the seat bracket (C) with the 1/4x1-1/2" lag screws (E) thru the 1/4" washer (D) thru the bracket (C) into the plastic board (F) towards the front edge

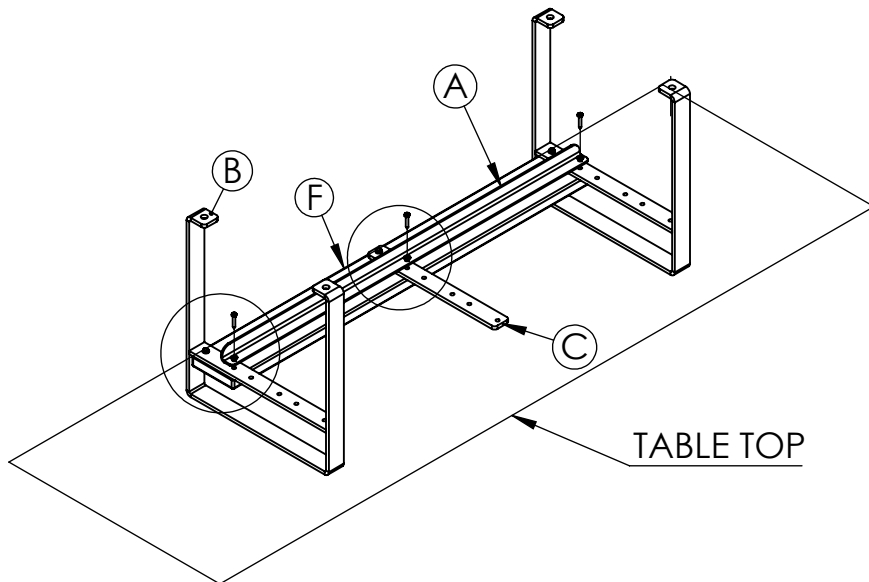
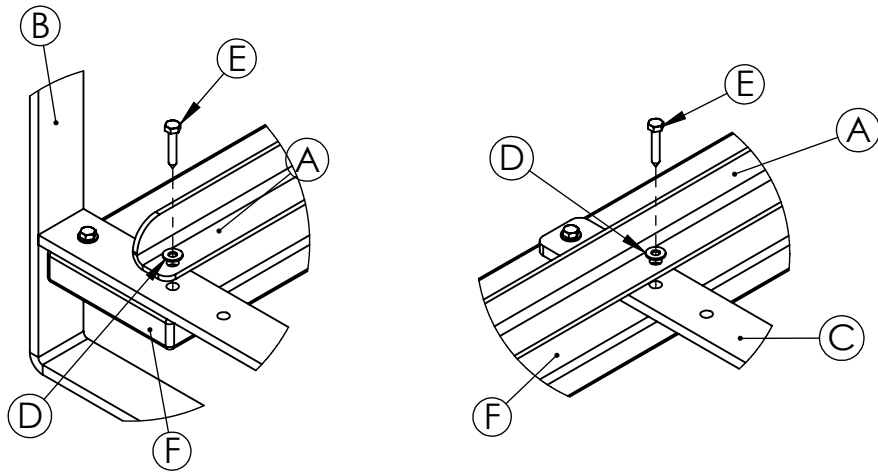
NOTE: ONLY ONE HOLE WILL HAVE LAG SCREWS, STEP 3 PLACES THE OTHER LAG SCREW INTO THE BOARD



BENCH INSTRUCTIONS

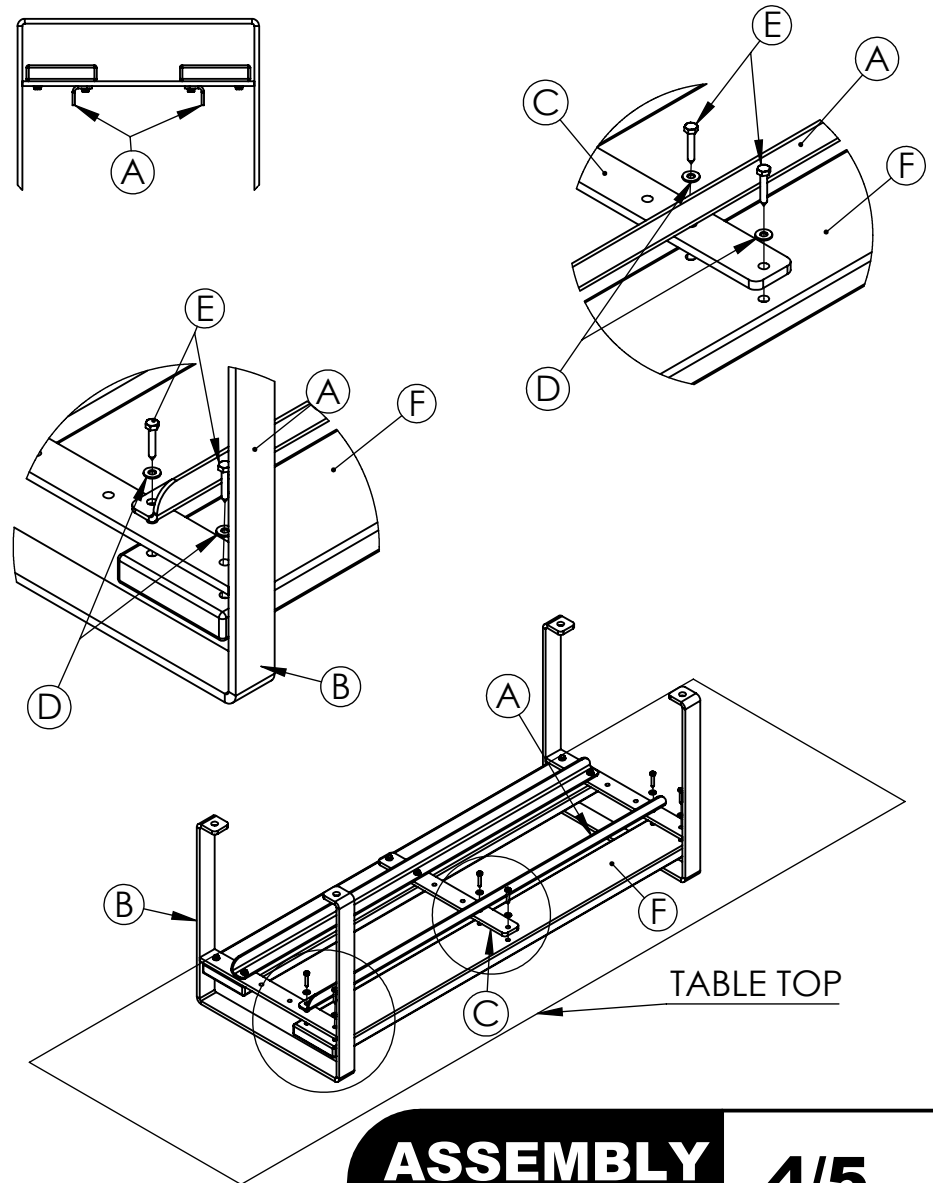
STEP 3 Seat Assembly

- Align the angle iron (A) with the holes on the bench ends (B) and seat bracket (C)
- Secure the board (F) with the 1/4x1-1/2" lag screws (E) thru the 1/4" washer (D) thru the angle iron (A) thru the end (B) and seat bracket (C) into the plastic board (F) in the empty holes



STEP 4 Seat Assembly

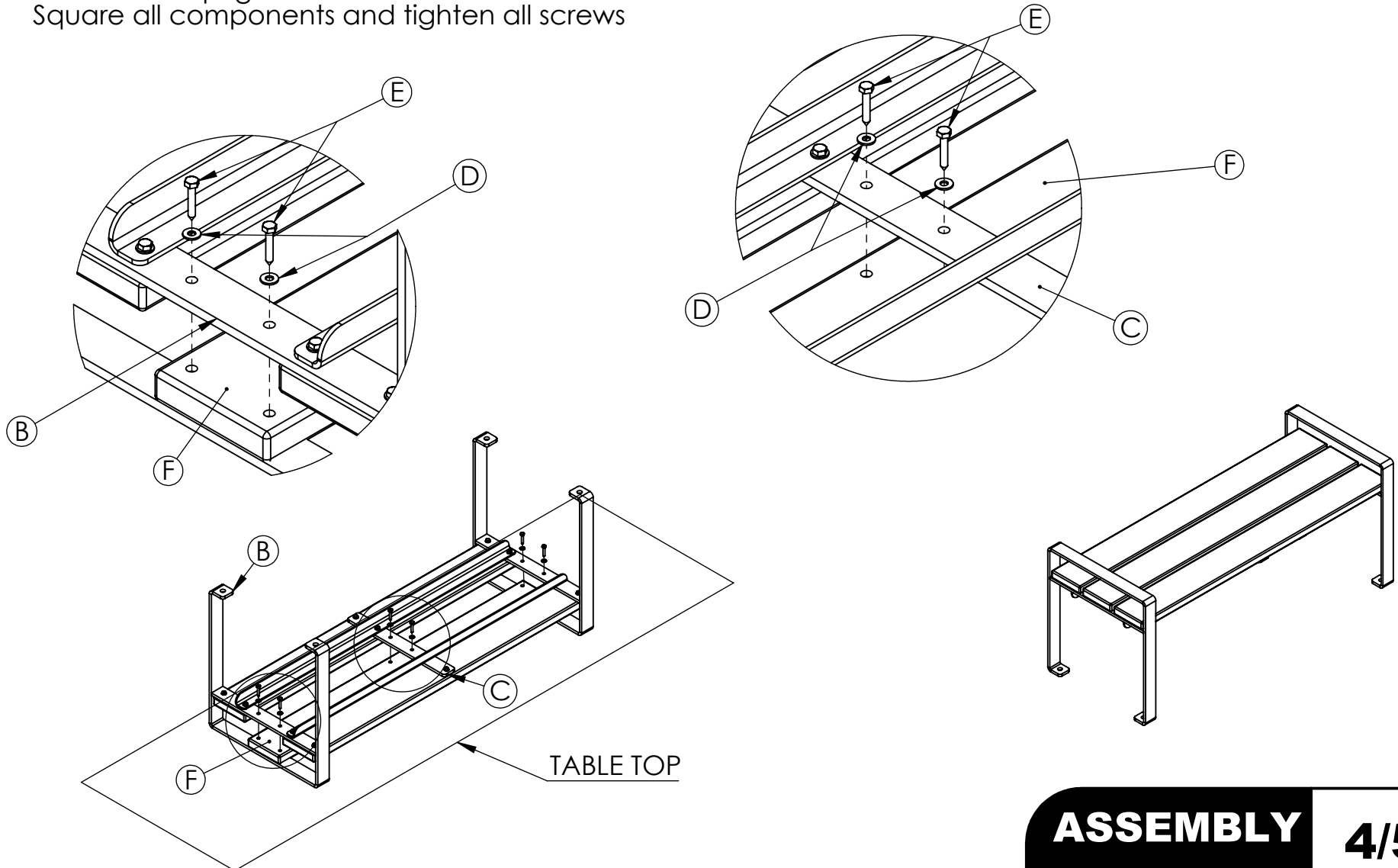
- Repeat steps 1 thru 3 for the plastic board (F) located on the opposite side closest to the leg
- **NOTE:** Angle Irons(A) are facing each other
- Once complete, there should be 2 plastic boards (F), 2 angle irons (A), 1 seat bracket (C) attached to the two ends (B)



BENCH INSTRUCTIONS

STEP 5 Seat Assembly

- Lay a plastic board (F) in the middle of the seat under the ends (B) and under the seat bracket (C)
- Align the holes on the plastic board (F) with the holes on the bench ends (B) and seat bracket (C)
- Secure the board (F) with the 1/4x1-1/2" lag screws (E) through the 1/4" washer (D) through the end (B) and seat bracket (C) into the plastic board (F)
- Turn bench upright
- Square all components and tighten all screws

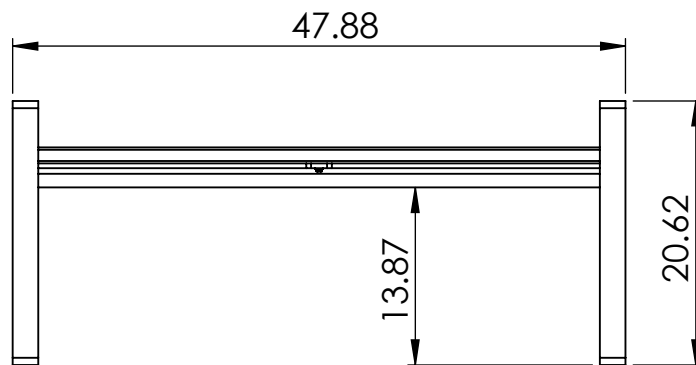
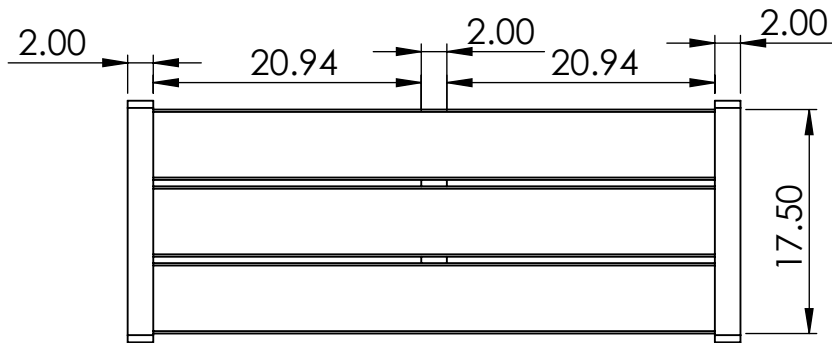


BENCH SPECIFICATIONS

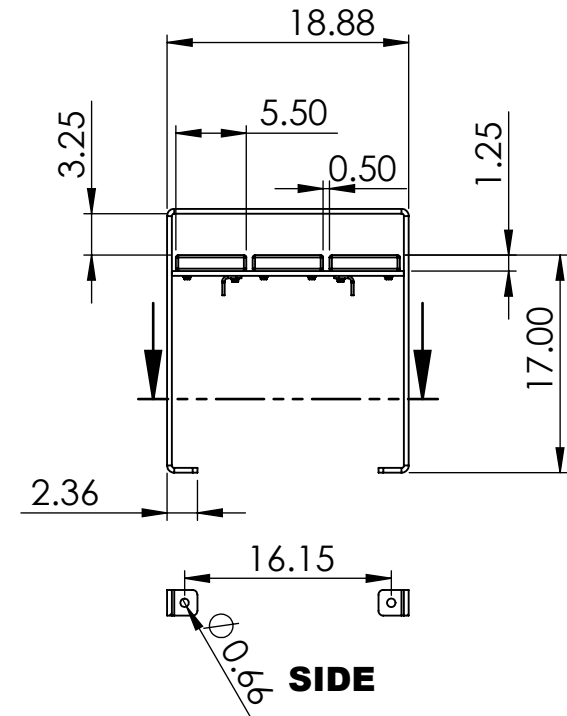
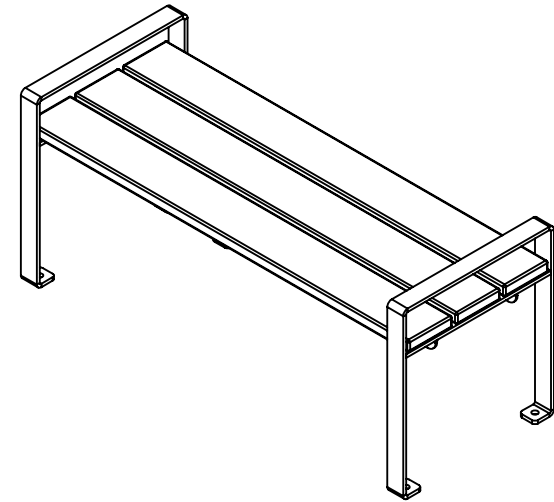
BC1934

REV# 1
2/24/2017

TOP



FRONT



SIDE

CONSTRUCTION MATERIALS:
Recycled Plastic
HARDWARE:
Stainless Steel

ALL DIMENSIONS ARE SHOWN IN INCHES