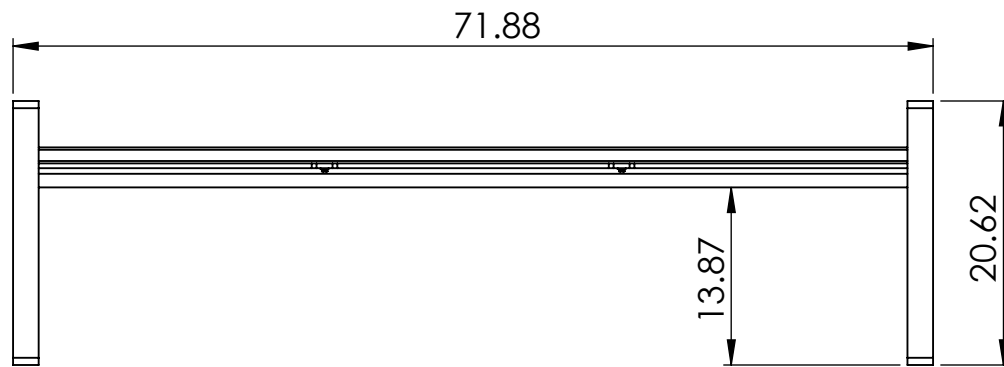
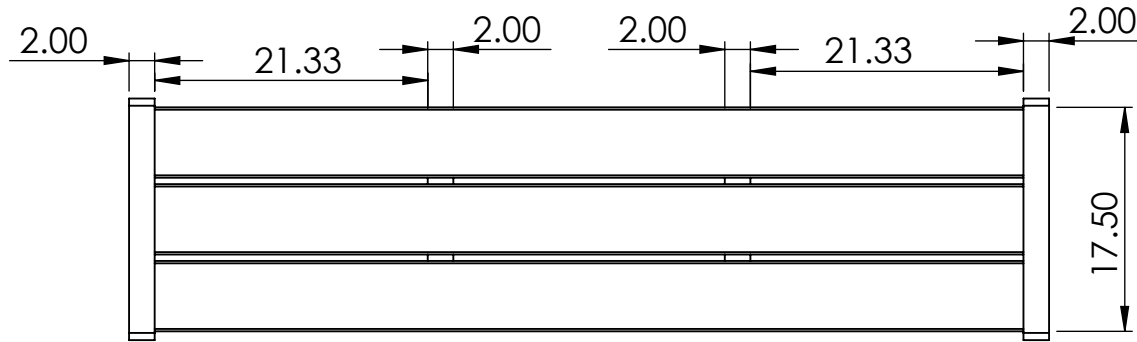


# BENCH SPECIFICATIONS

BC1936

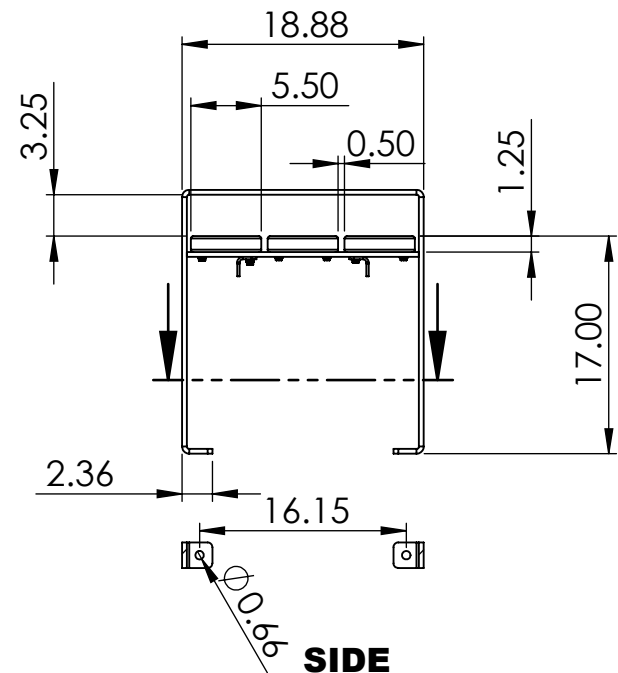
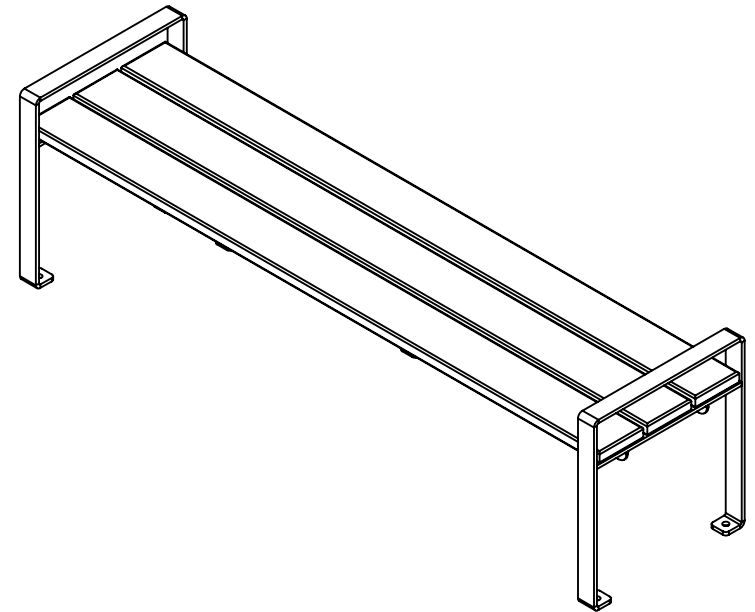
REV# 1  
2/24/2017

**TOP**



**FRONT**

**CONSTRUCTION MATERIALS:**  
Recycled Plastic  
**HARDWARE:**  
Stainless Steel



**SIDE**

ALL DIMENSIONS ARE SHOWN IN INCHES