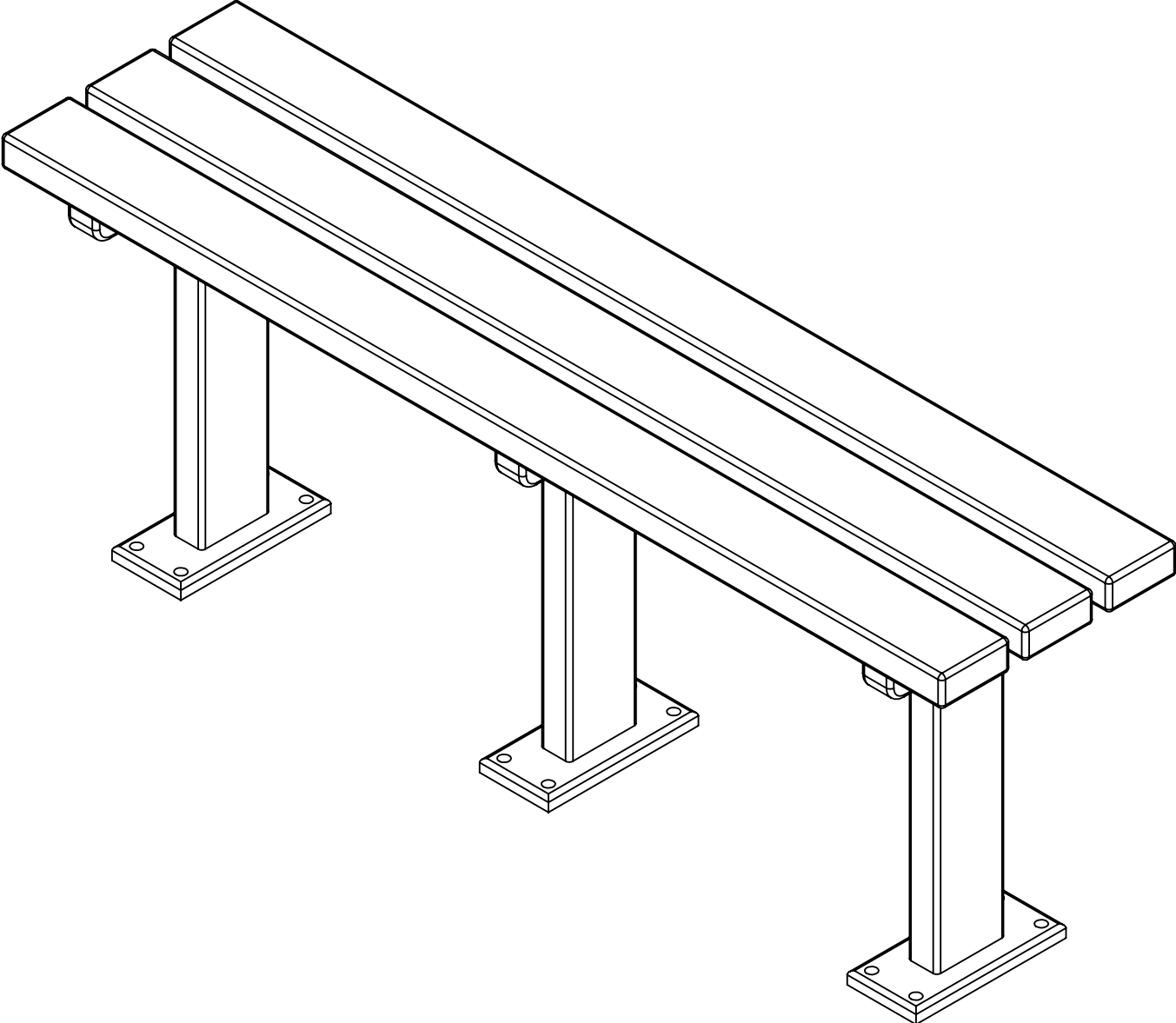


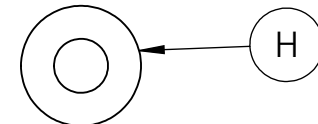
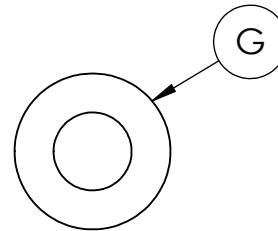
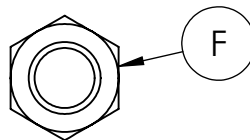
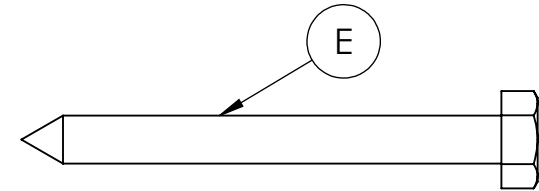
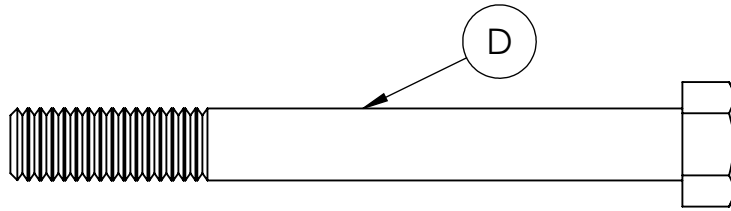
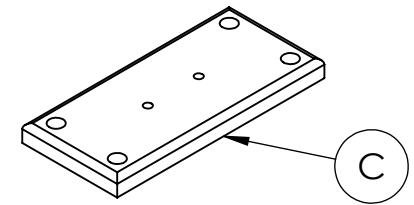
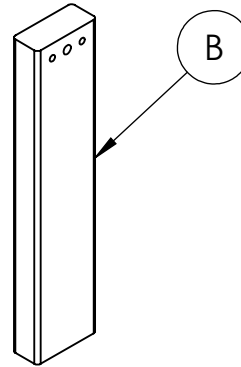
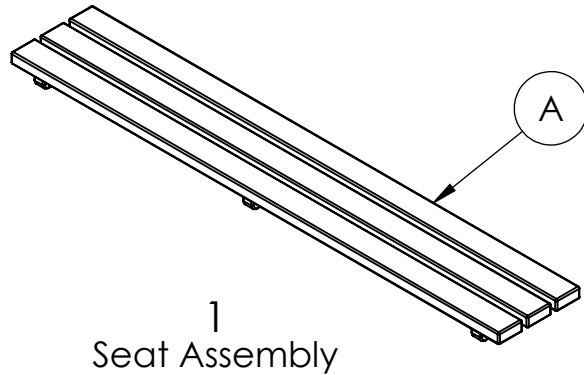
**BENCH INSTRUCTIONS**  
**BC1045 - BC1050**

REV# 1



# BENCH INSTRUCTIONS

## BC1045 - BC1050



### REQUIRED TOOLS (NOT INCLUDED)

- 1 - 7/6" WRENCH
- 2 - 9/16" WRENCHES

**NOTE: IT IS IMPORTANT TO KEEP ALL SCREWS LOOSE DURING ASSEMBLY UNTIL ENTIRE BENCH IS ASSEMBLED**

**HARDWARE &  
TOOLS REQUIRED  
FOR ASSEMBLY**

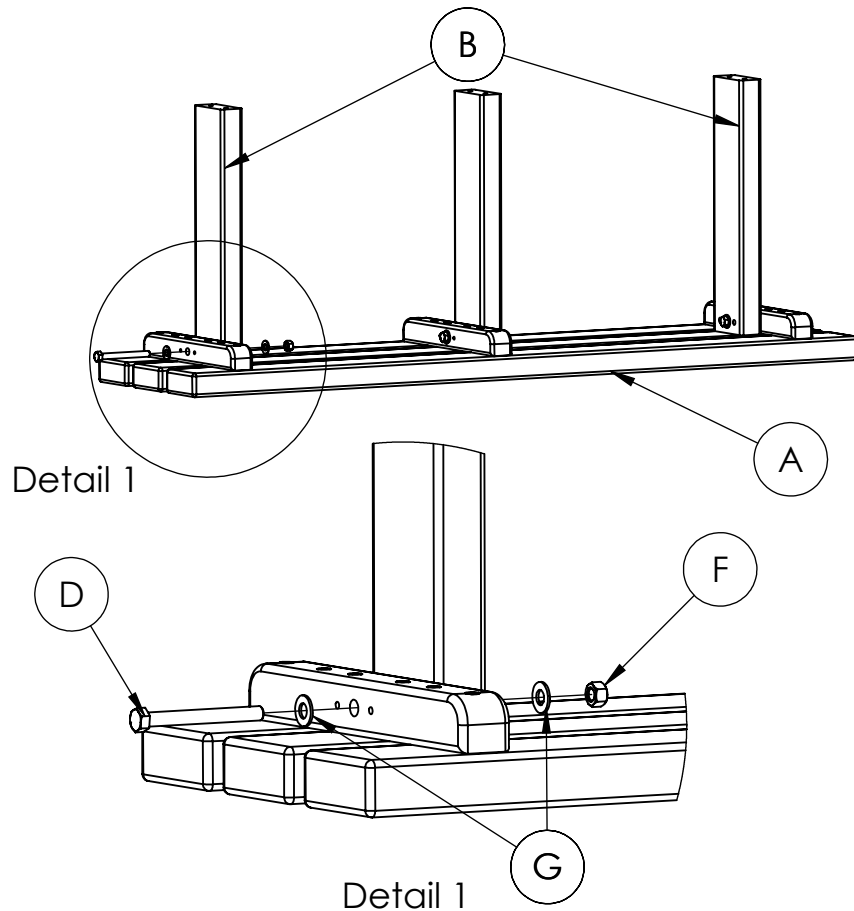
**2/5**

# BENCH INSTRUCTIONS

## BC1045 - BC1050

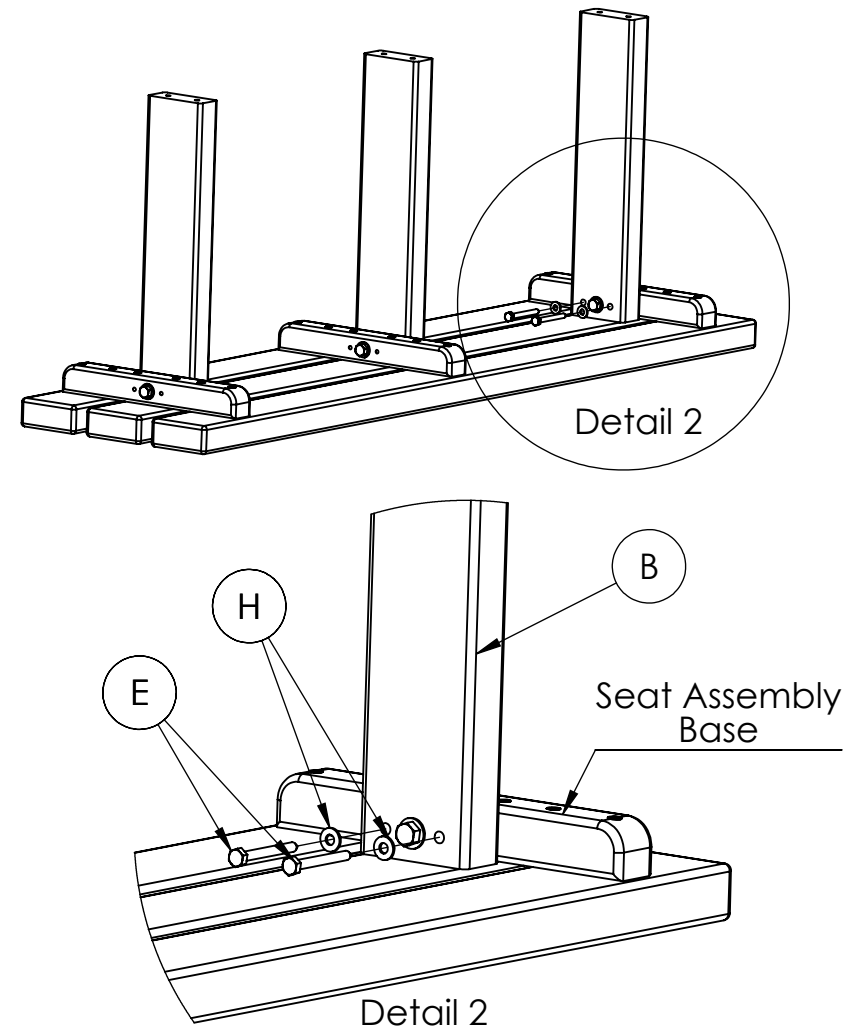
### STEP 1 Seat Assembly

- Locate the seat assembly (A) and place upside down on a clean level surface
- Align the predrilled holes in the bench legs (B) with the predrilled holes in the seat assembly (A)
- Insert (1) 3/8" x 3.5" hex bolt (D) with a 3/8" flat washer (G) into each center hole in seat assembly (A) and bench leg (B)
- Secure each bench leg (B) with a 3/8" flat washer (G) and 3/8" hex nut (F)
- Repeat for each bench leg (B)



### STEP 2 Seat Assembly

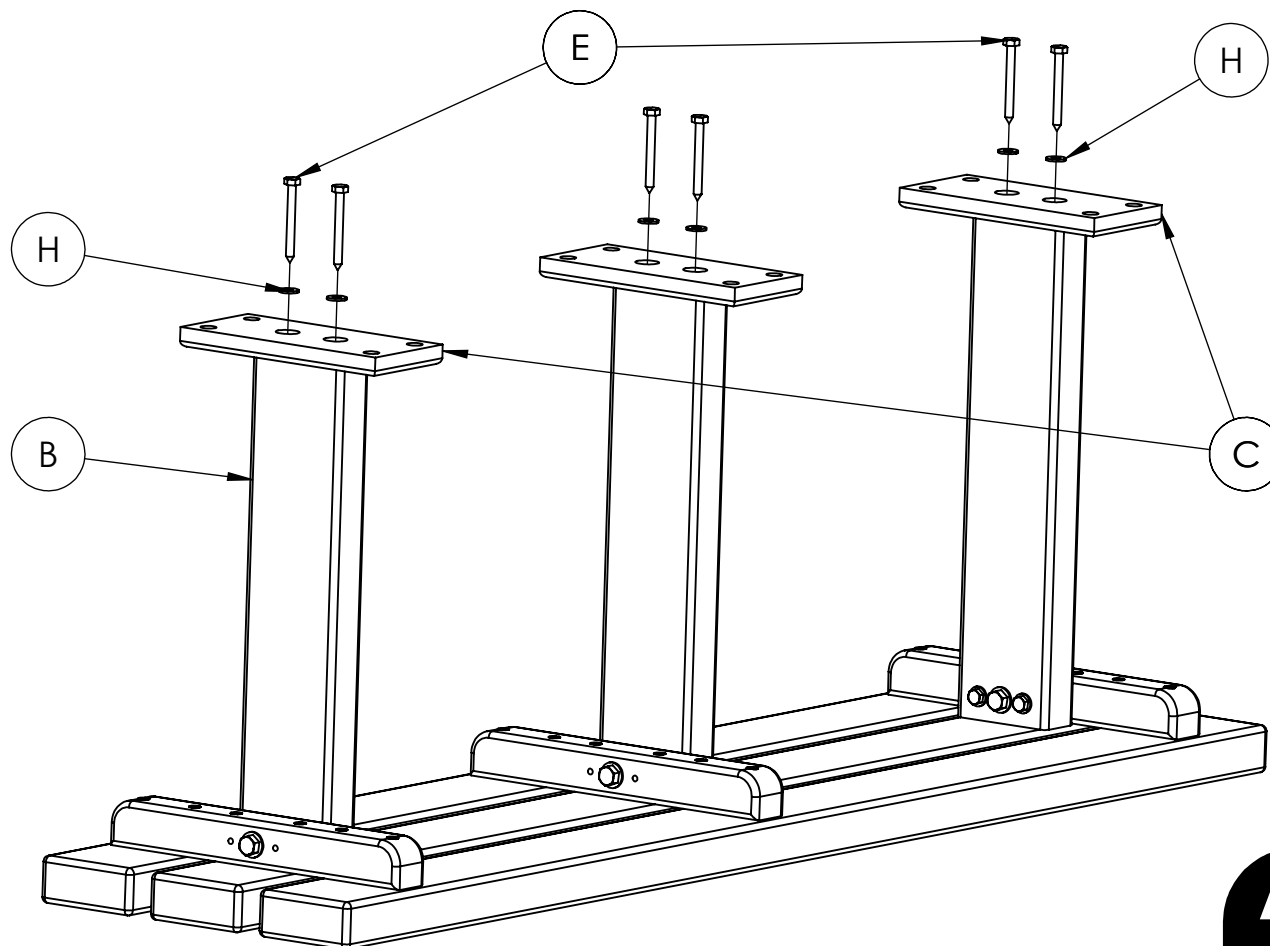
- Align the two outer holes in the bench legs (B) with the corresponding holes in the base of the seat assembly (A)
- Drive (2) 1/4" x 2.5" lag screws (E) with 1/4" flat washers (H) through the face of the bench legs (B) and into the base of the seat assembly
- Repeat for each bench leg (B)



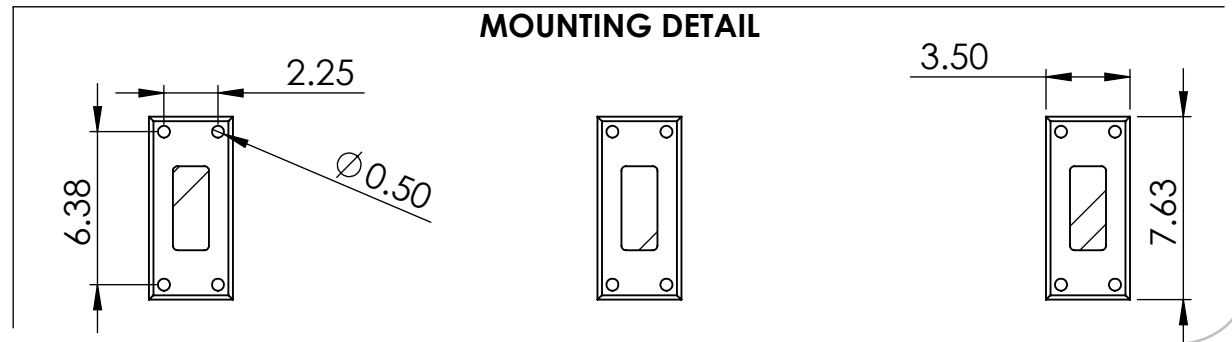
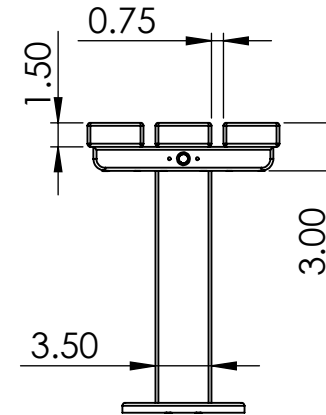
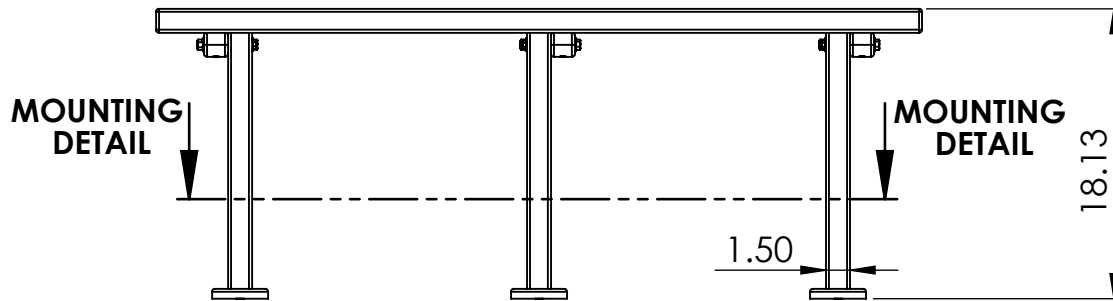
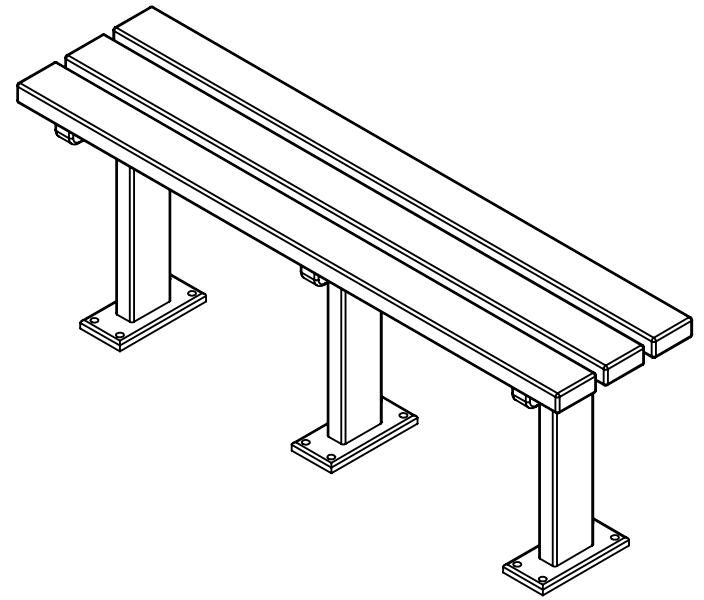
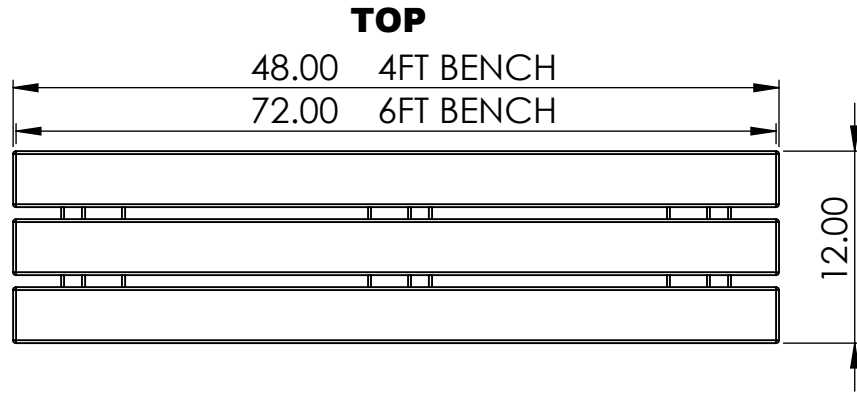
## BENCH INSTRUCTIONS BC1045 - BC1050

### STEP 3 Mounting Plate Assembly

- Place the mounting plates (C) on the bench legs (B) with the rounded edges facing the bottom of the bench
- Align the predrilled holes in the mounting plate (C) with the predrilled holes in the end of the bench legs (B)
- Secure the mounting plate to the bench end with (2) 1/4" x 2.5" lag screws (E) and (2) flat washers (H) per mounting plate (C)
- Square all parts and tighten all hardware
- Turn the bench up right and mount to surface using appropriate hardware before use



# BENCH SPECIFICATIONS BC1045 - BC1050



ALL DIMENSIONS SHOWN IN INCHES

**CONSTRUCTION MATERIALS:**  
Recycled Plastic  
**HARDWARE:**  
Stainless Steel