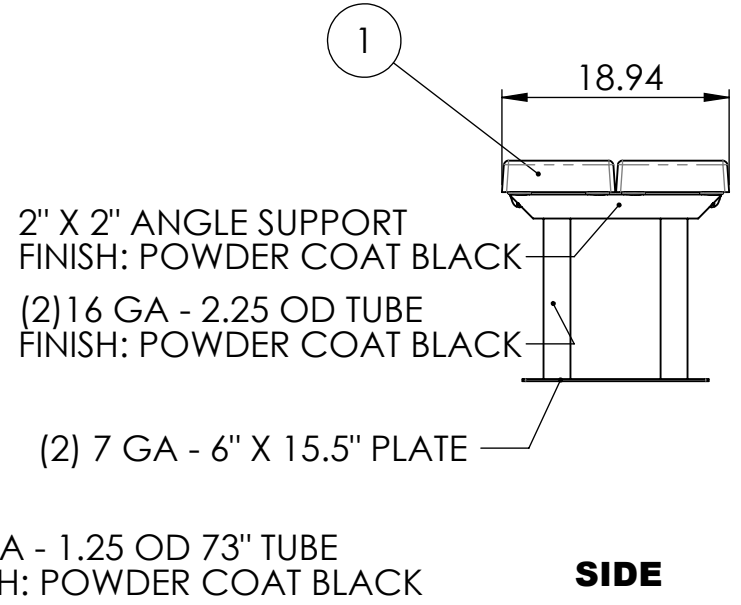
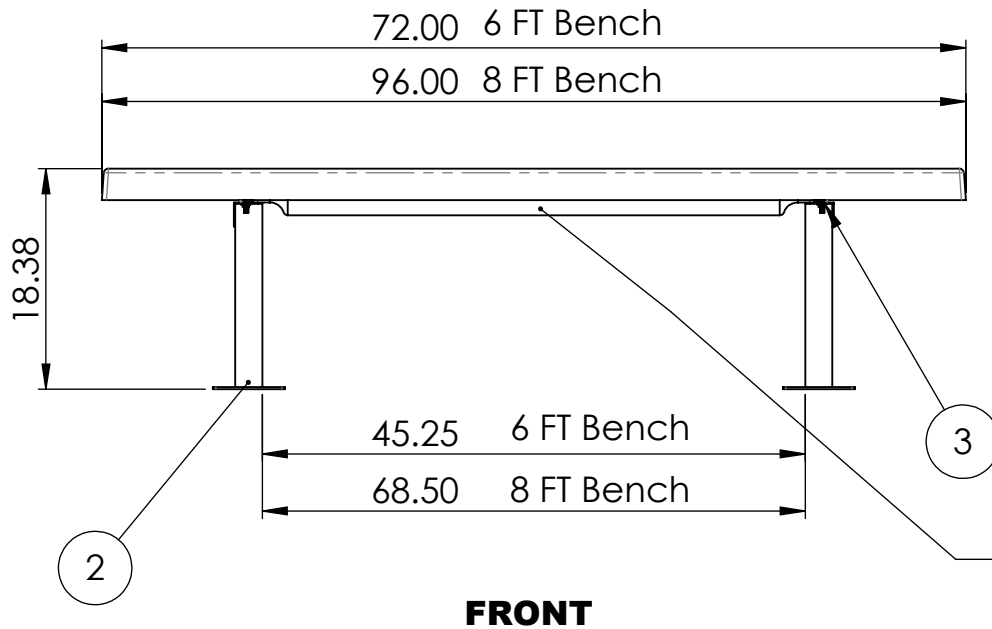
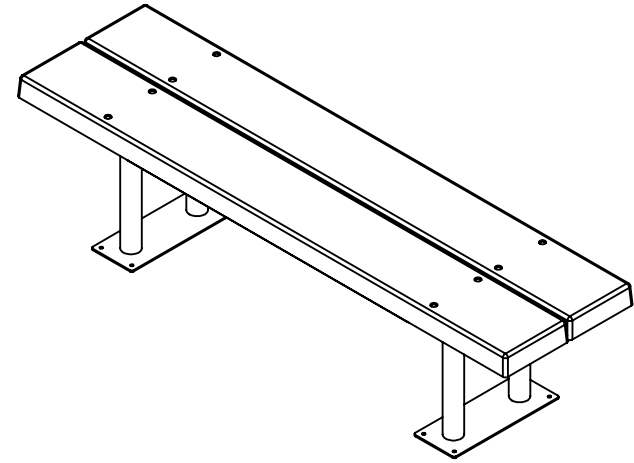
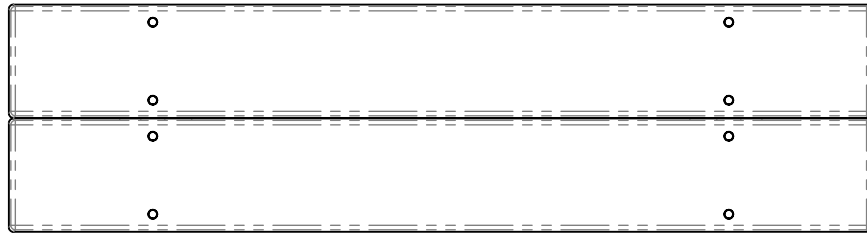


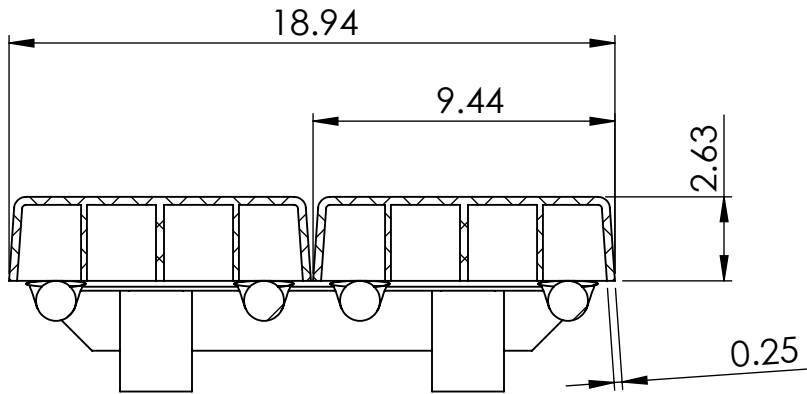
**SURFACE MOUNT BENCH
SPECIFICATIONS
BM1175 - BM1185**



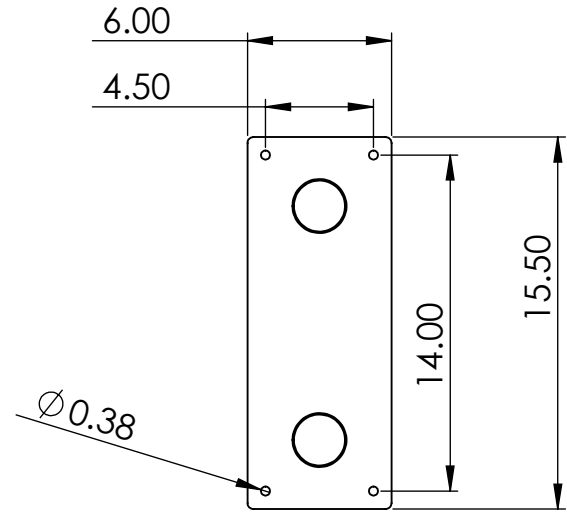
HARDWARE: ZINC PLATED
MATERIAL: PLASTIC, POWDER COATED METAL

ALL DIMENSIONS ARE SHOWN IN INCHES

SURFACE MOUNT BENCH SPECIFICATIONS BM1175 - BM1185

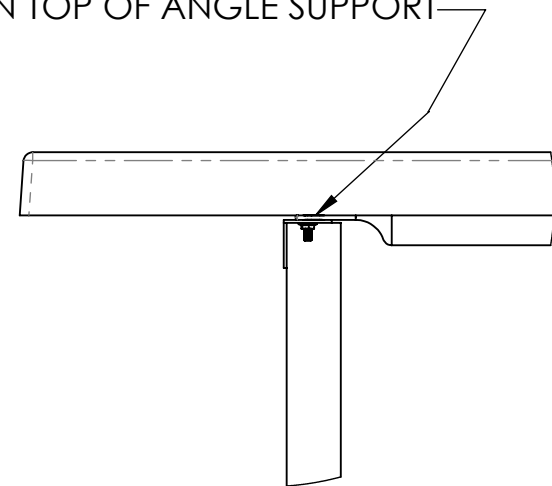


① SEAT DETAILS



② MOUNTING PLATE DETAILS

16 GA - 1.25 OD TUBE
PLACED ON TOP OF ANGLE SUPPORT



③ ASSEMBLY DETAILS

HARDWARE: ZINC PLATED
MATERIAL: PLASTIC, POWDER COATED METAL

ALL DIMENSIONS ARE SHOWN IN INCHES