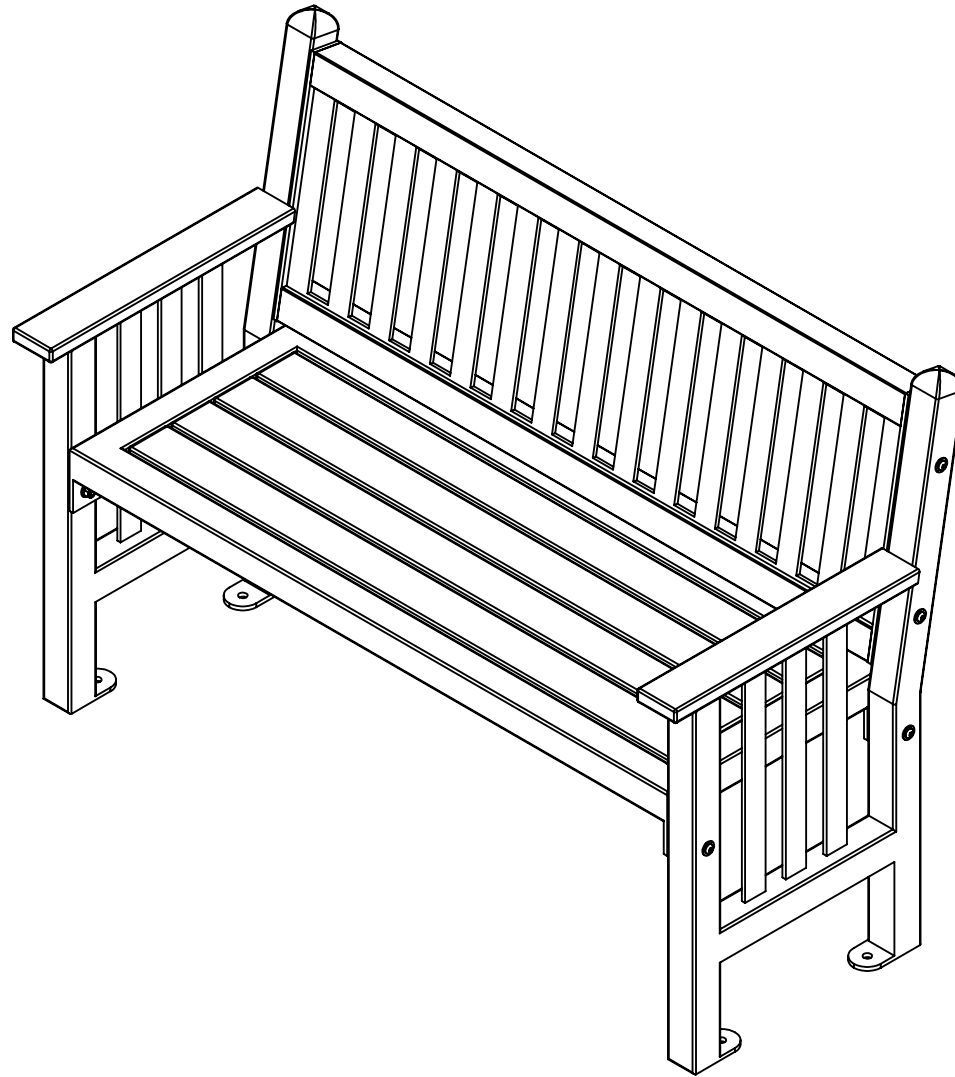


# INSTRUCTIONS

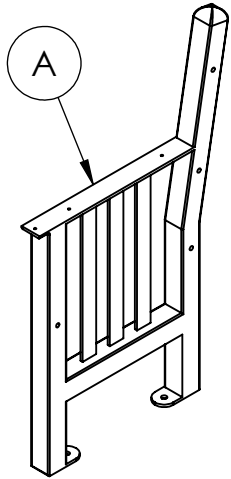
## BM1504

REV# 2  
12-19-16

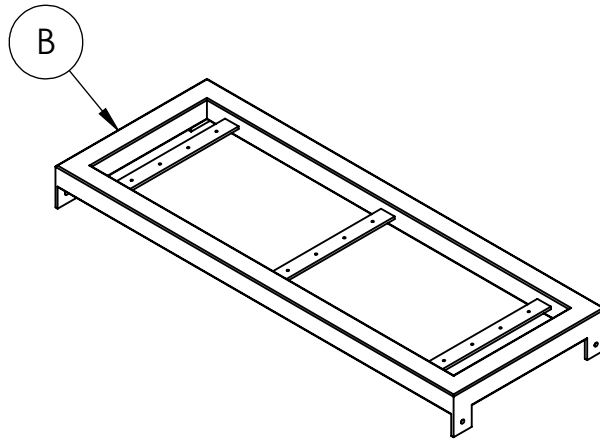


# INSTRUCTIONS

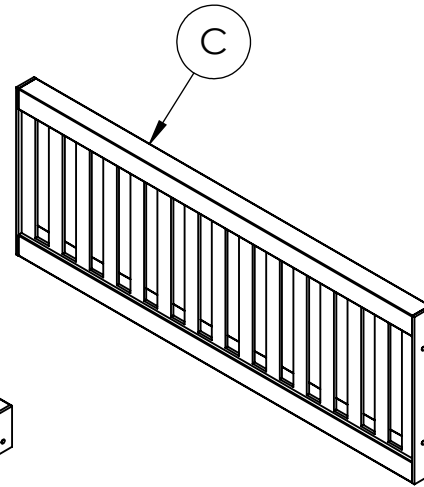
## BM1504



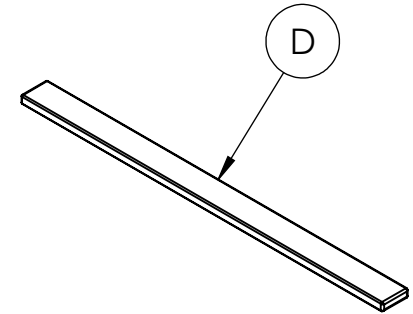
**2**  
Bench Ends



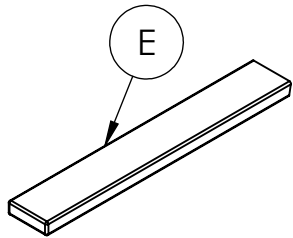
**1**  
Seat Frame



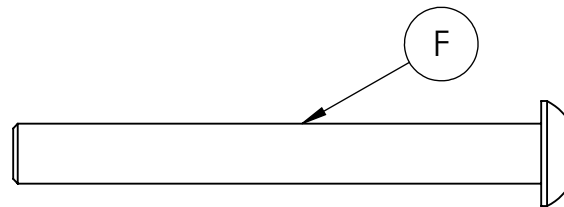
**1**  
Backrest Assembly



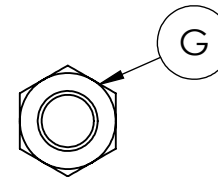
**4**  
Seat Slat



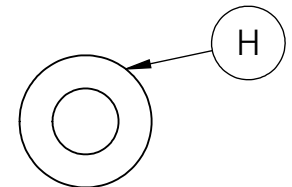
**2**  
Arm Rests



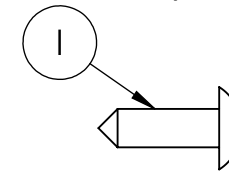
**8**  
5/16" x 2.75" Button Head  
Cap Screw



**8**  
5/16" Hex Nuts



**16**  
5/16" Flat Washer



**18**  
#10 x 0.75" Pan Head Screw

### REQUIRED TOOLS (NOT INCLUDED)

- 1 - #2 PHILLIPS BIT
- 1 - SCREWGUN OR POWER DRILL
- 1 - 1/2" WRENCH
- 1 - 1/4" ALLEN WRENCH

**NOTE: IT IS IMPORTANT TO KEEP ALL SCREWS LOOSE  
DURING ASSEMBLY UNTIL ENTIRE BENCH IS ASSEMBLED**

**HARDWARE &  
TOOLS REQUIRED  
FOR ASSEMBLY**

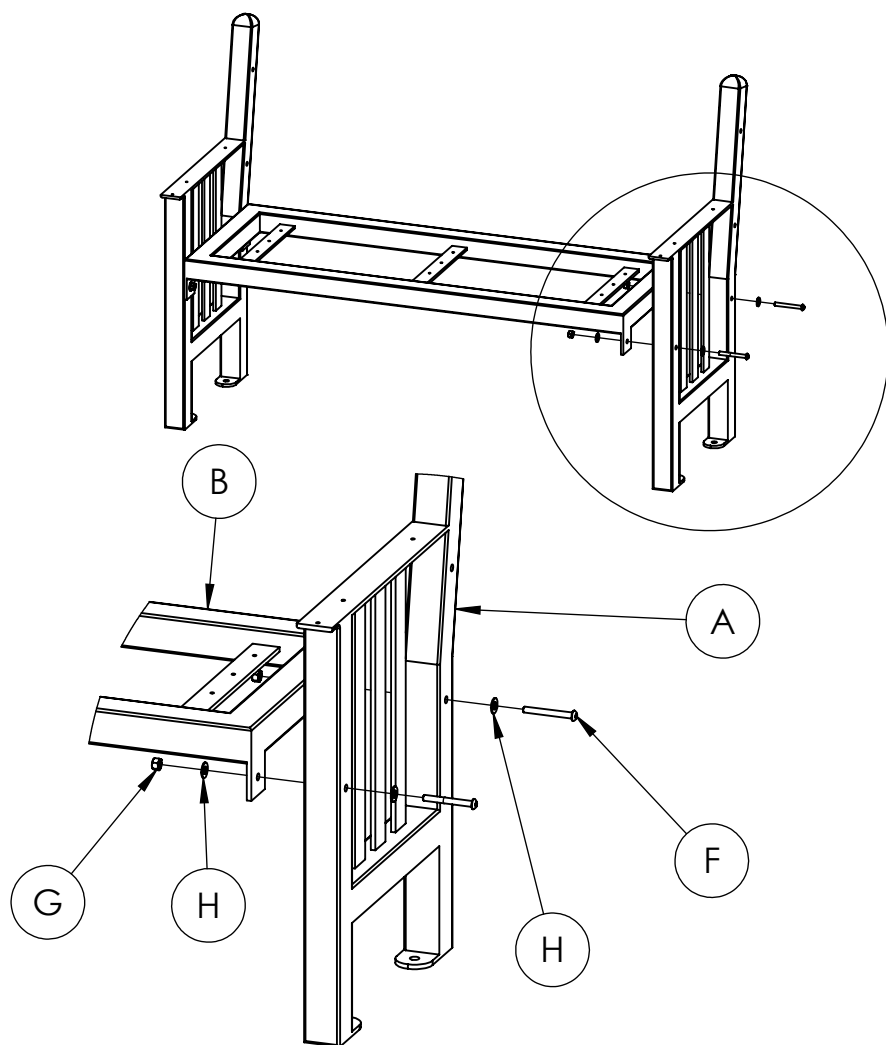
**2/4**

# INSTRUCTIONS

## BM1504

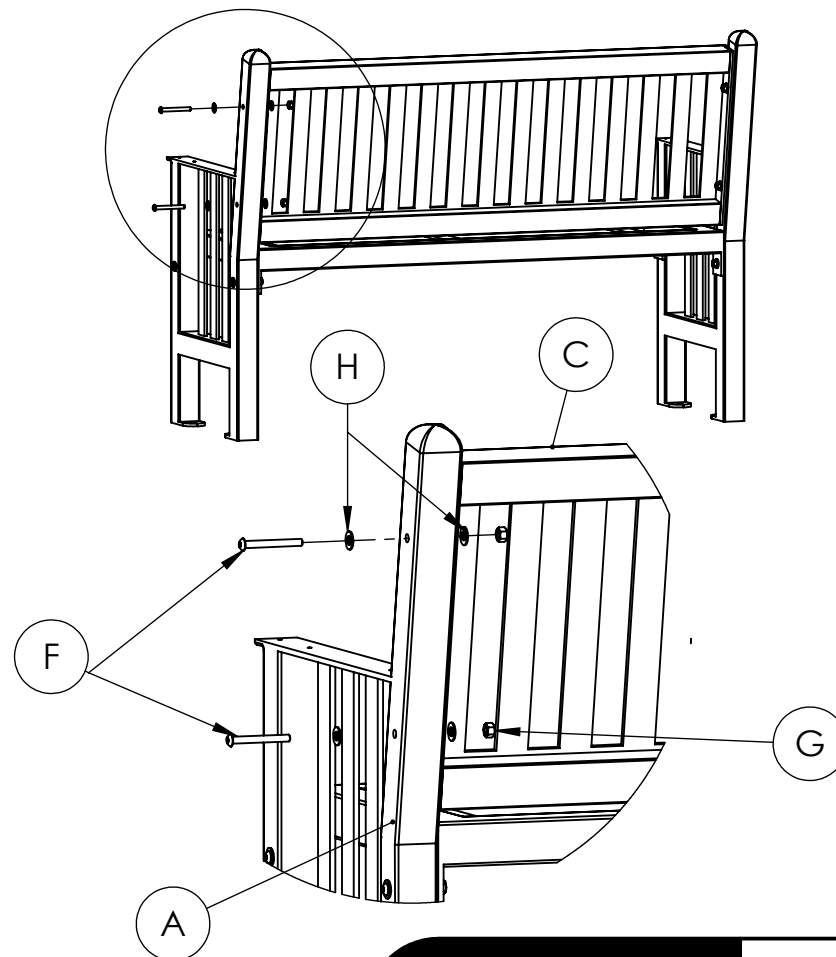
### STEP 1 Seat Assembly

- Locate the bench ends (A) and the seat frame (B)
- Insert (2) button head screws (F) with washers (H) thru the bench ends (A) and into the tab on the seat frame (B)
- Secure the bench end to the seat frame with washers and (H) and hex nuts (G)
- Repeat for the other bench end



### STEP 2 Backrest Assembly

- Hold the backrest assembly (C) in between the bench ends (A)
- The slats are flush to the front side of the assembly
- Align the holes in the bench ends (A) with the holes in backrest assembly (C)
- Insert (2) button head screws (F) with washers (H) through the holes and secure with washers (H) and hex nuts (G)
- Repeat for the other side

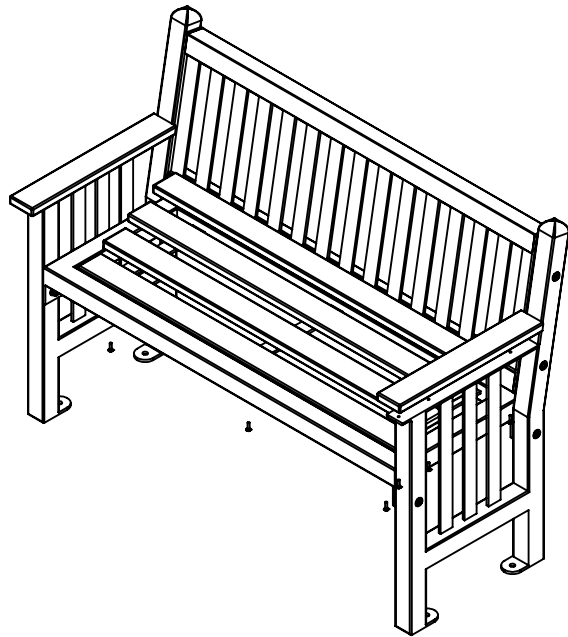


# INSTRUCTIONS

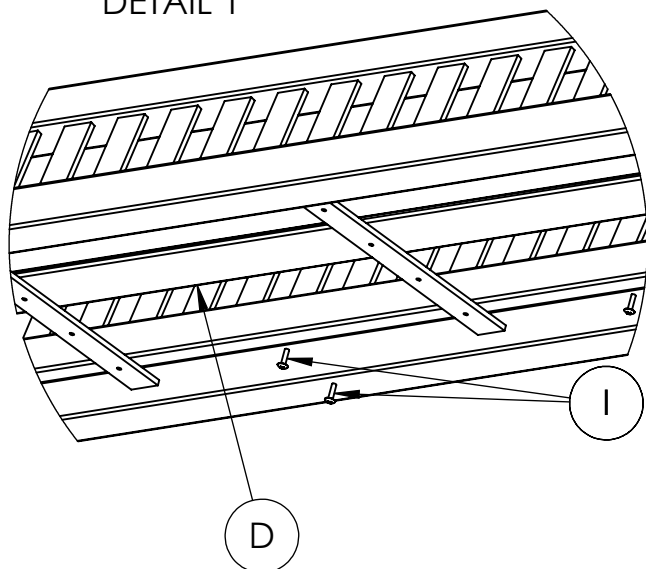
## BM1504

### Step 3 Attach the Seat and Armrests

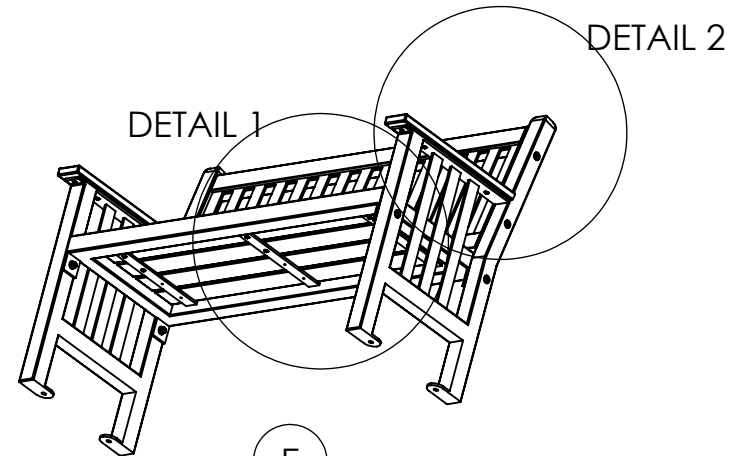
- Lay the seat slats (D) across the seat frame (B)
- Each seat slat has pre-marked location holes in them
- From the bottom align the holes in the seat frame (B) with the location holes in the seat slats (D) See Detail 1
- Secure the seat slats to the seat frame with #10 x .75" pan head screws (I)
- Align the holes in the bench ends (A) with the location holes in the armrests (E)
- Secure the armrests to the bench ends with #10 x .75" pan head screws (I) See Detail 2



DETAIL 1

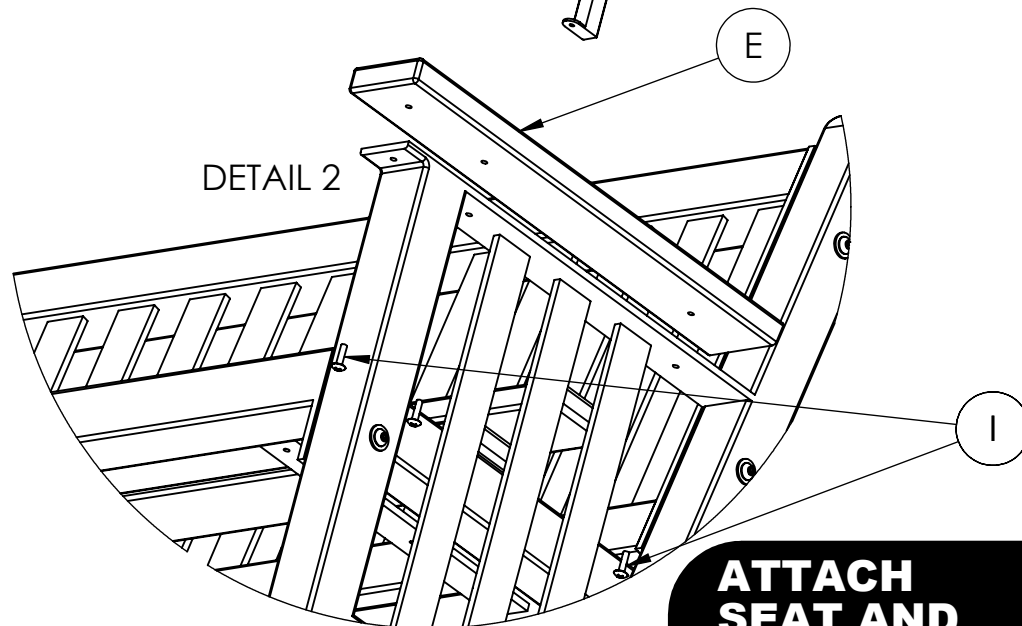


DETAIL 1



DETAIL 2

DETAIL 2

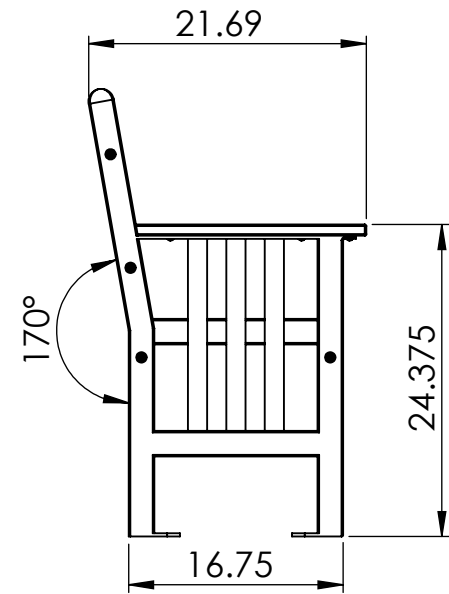
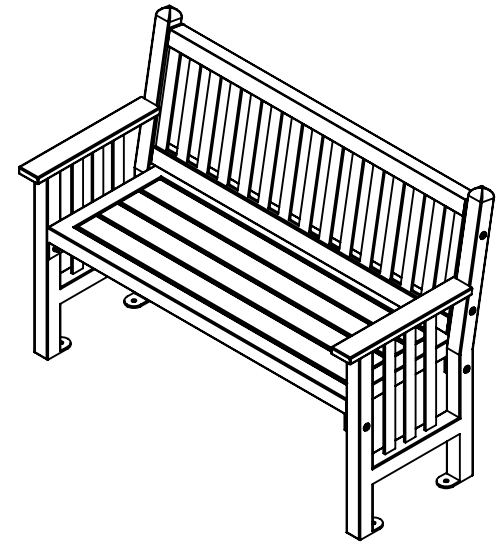
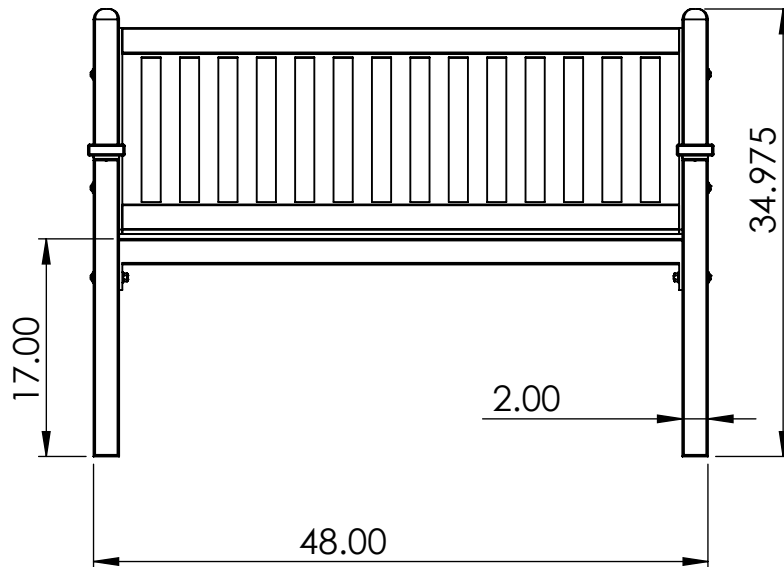
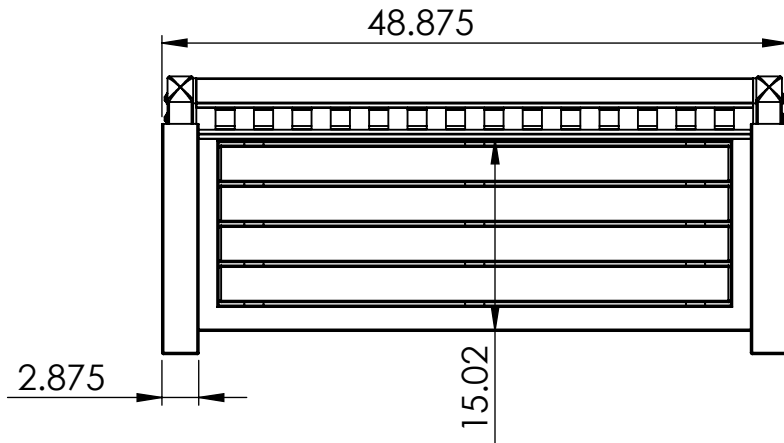


**ATTACH  
SEAT AND  
ARMS**

**4/4**

# SPECS. BM1504

REV# 2  
12-19-16



ALL DIMENSIONS SHOWN IN INCHES, UNLESS NOTED