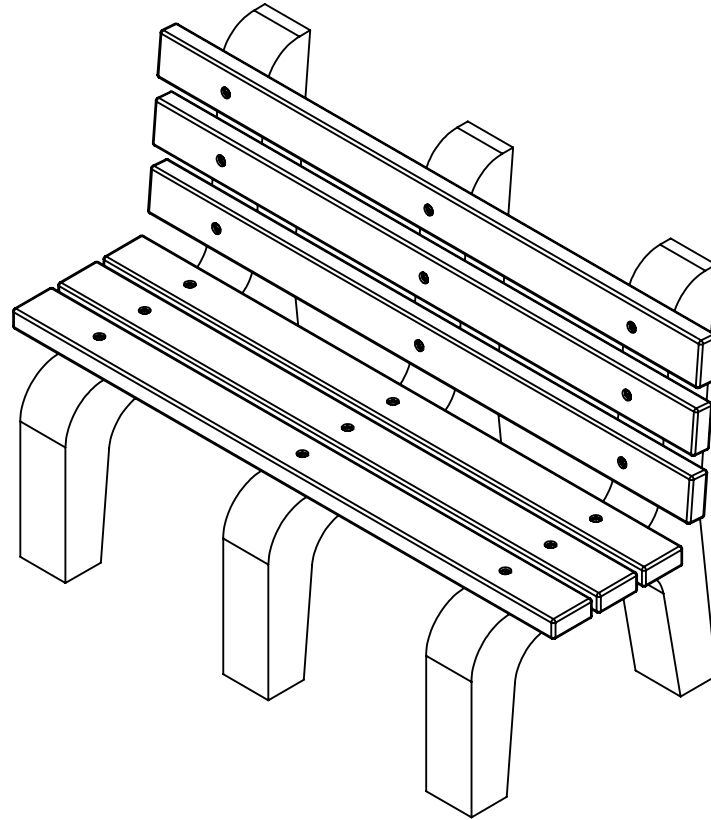
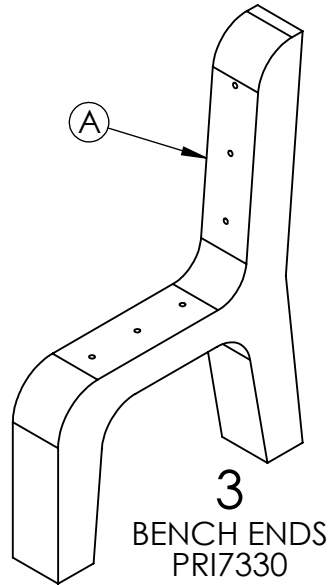


BENCH INSTRUCTIONS

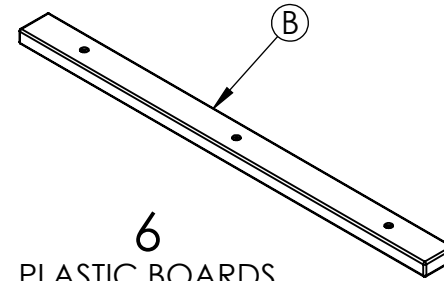
BC1444 REV# 2 1-22-2018



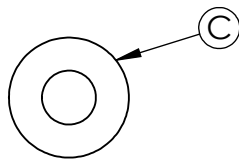
BENCH INSTRUCTIONS



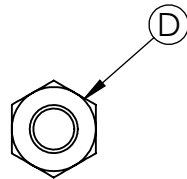
3
BENCH ENDS
PRI7330



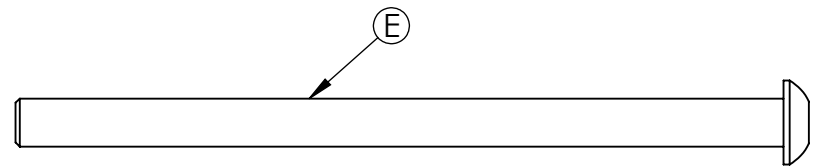
6
PLASTIC BOARDS
ABC-P0227



36
1/4" FLAT WASHER
WUSS025WAS188



18
1/4" NY LOCK NUT
NNYL025CNUT188



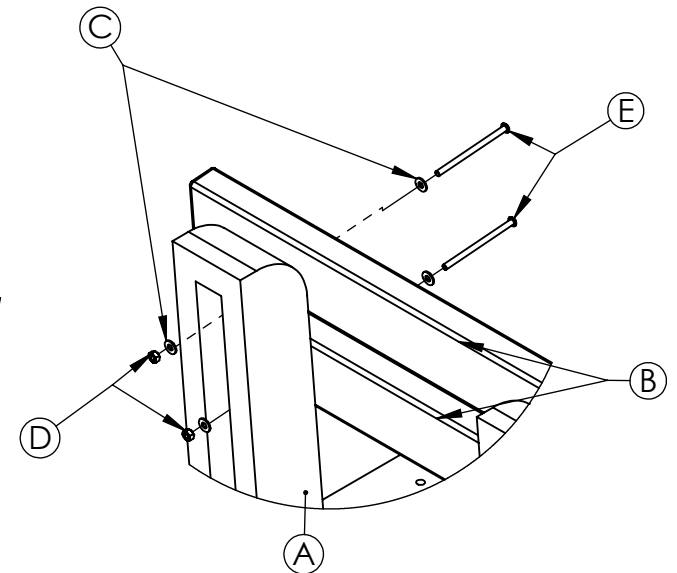
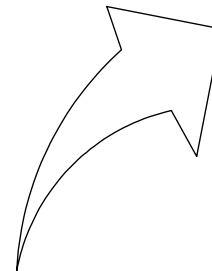
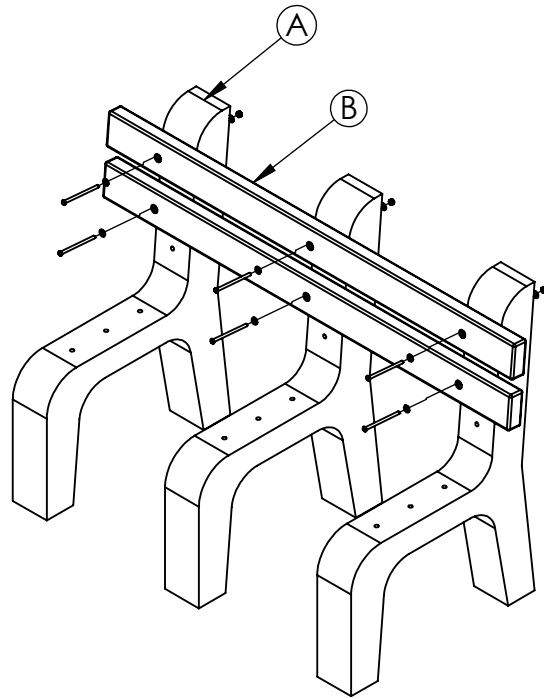
18
1/4" x 4" BUTTON HEAD BOLT
SCBH025C400188

- REQUIRED TOOLS:
(NOT INCLUDED)**
- SCREW GUN
 - 7/16" SOCKET
 - 3/32" ALLEN WRENCH
 - 90 DEGREE SQUARE

NOTE: IT IS IMPORTANT TO KEEP ALL SCREWS LOOSE DURING ASSEMBLY UNTIL ENTIRE BENCH IS ASSEMBLED

**INCLUDED HARDWARE &
REQUIRED TOOLS FOR
ASSEMBLY**

BENCH INSTRUCTIONS



REPEAT STEPS FOR REMAINING PLASTIC BOARDS

SQUARE BOARDS TO PLASTIC ENDS AND FLUSH TO EACH OTHER

TIGHTEN ALL BOLTS

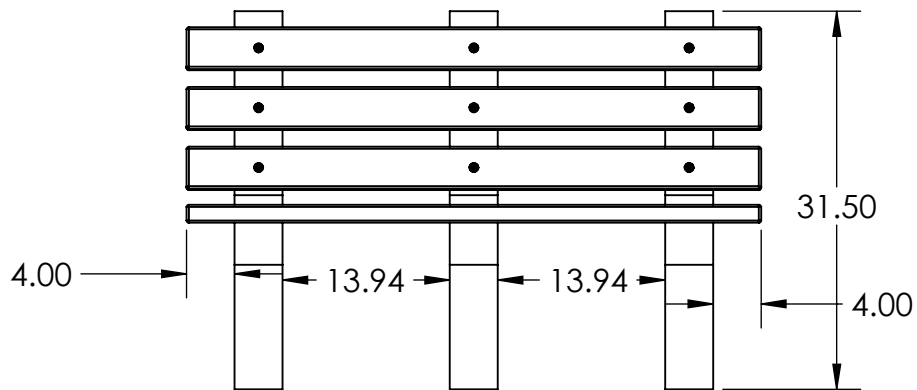
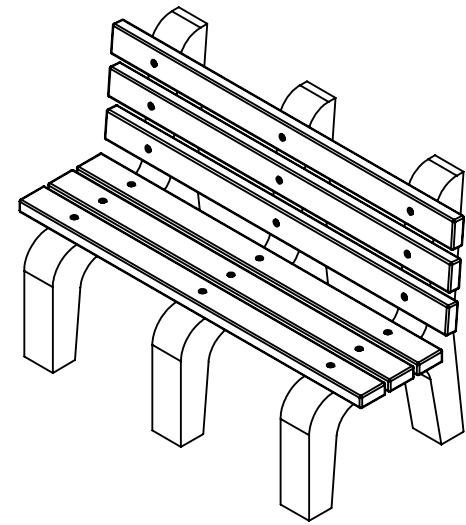
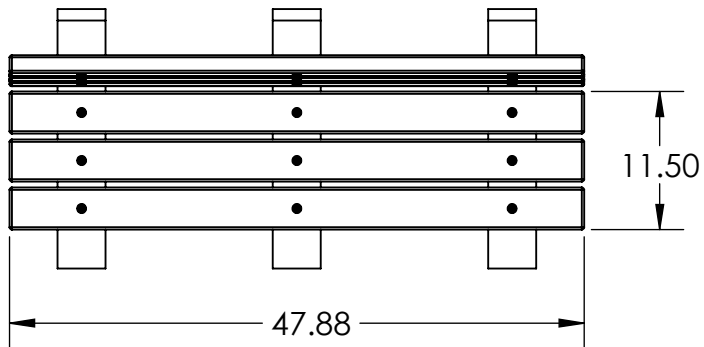
BENCH SPECIFICATIONS

ALL DIMENSIONS SHOWN IN INCHES

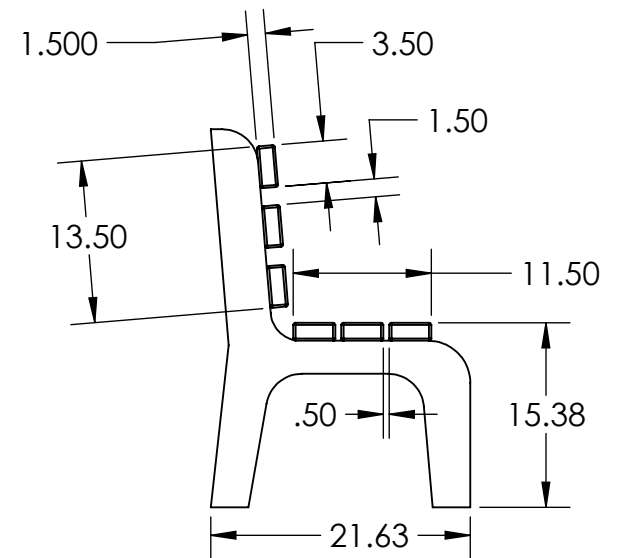
BC1444

REV #2
1-22-2018

TOP VIEW



FRONT VIEW



SIDE VIEW

CONSTRUCTION MATERIALS:
Recycled Plastic
HARDWARE:
Stainless Steel