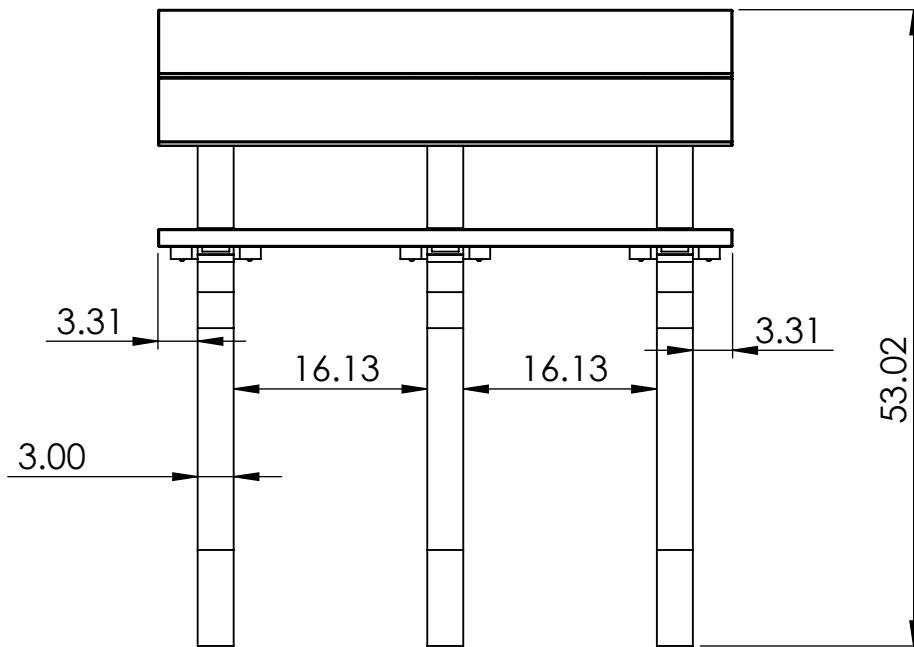
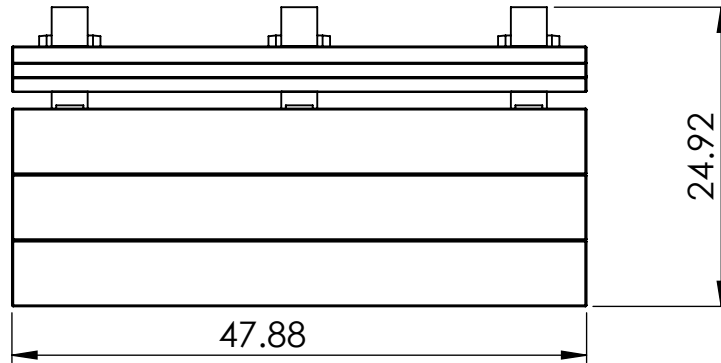


# BENCH SPECIFICATIONS

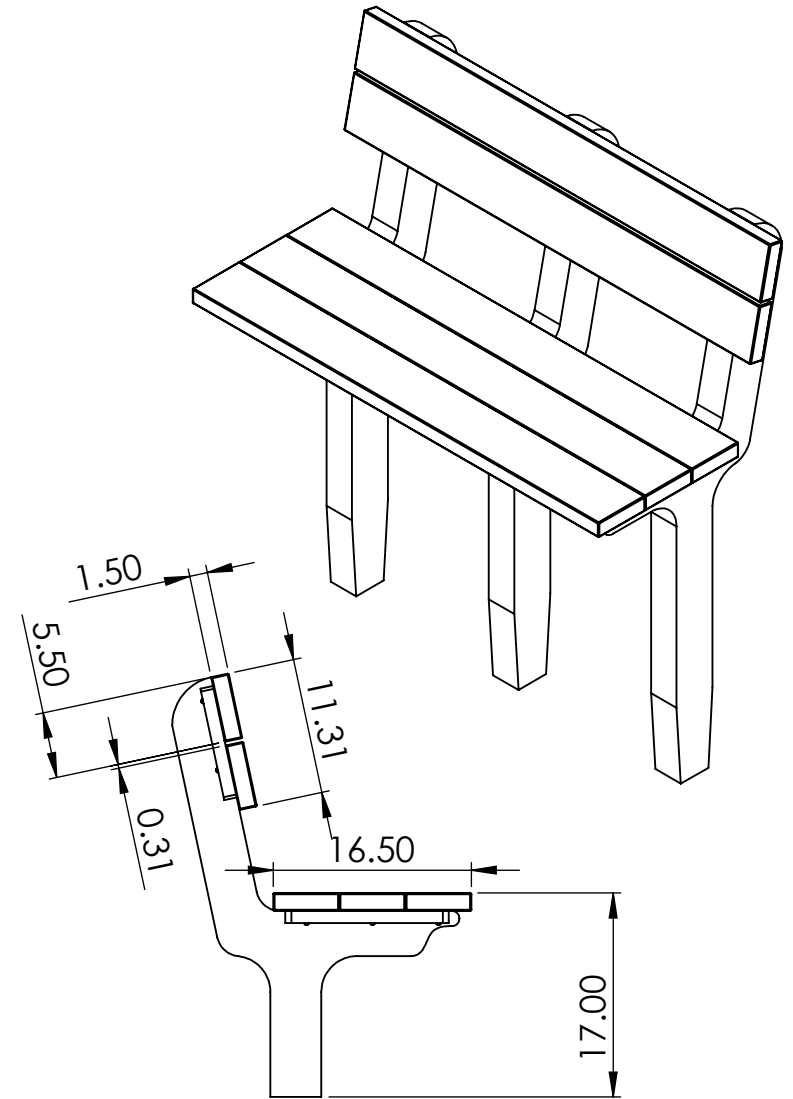
REV# 1  
2/14/2017

BC1405  
BC1408  
BC1409

**TOP**



**FRONT**



**SIDE**

**CONSTRUCTION MATERIALS:**  
Recycled Plastic  
**HARDWARE:**  
Stainless Steel

ALL DIMENSIONS ARE SHOWN IN INCHES