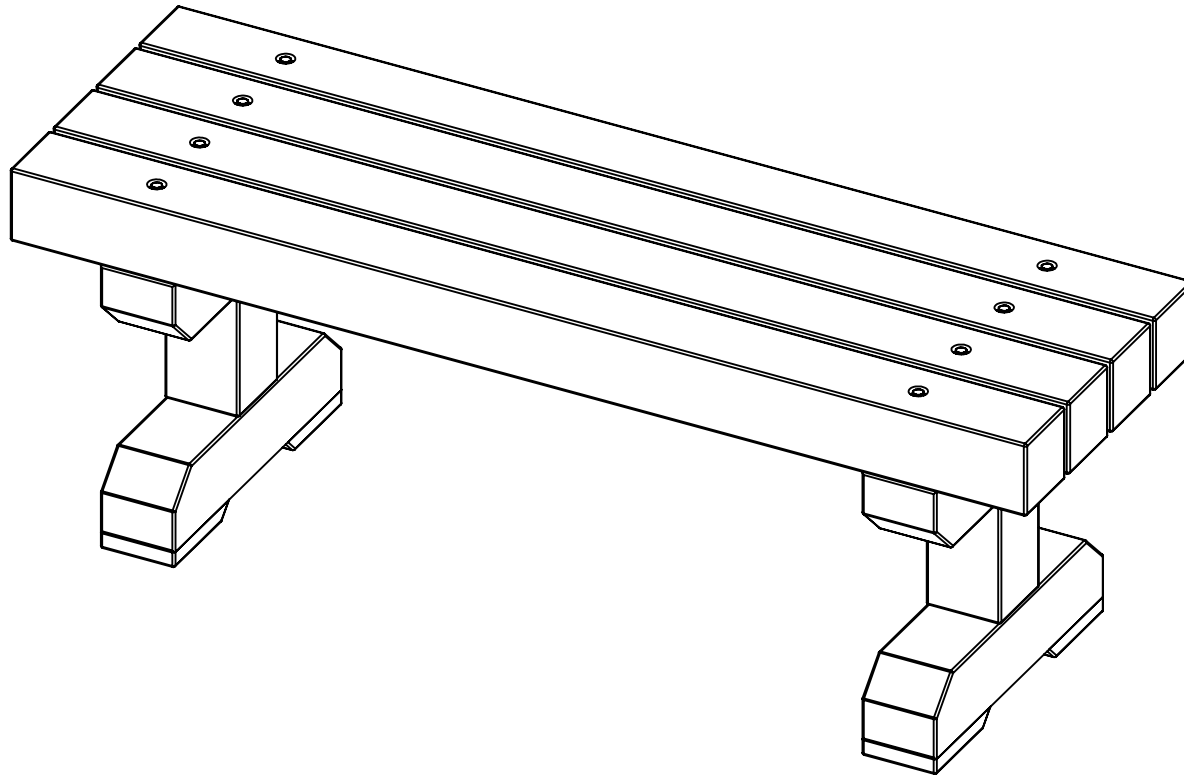
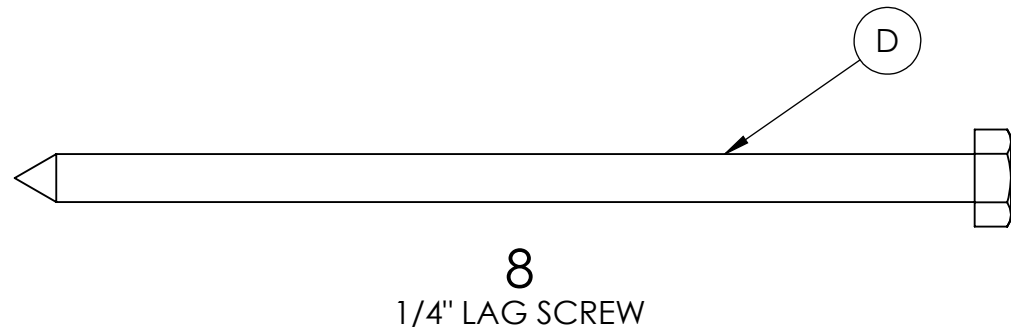
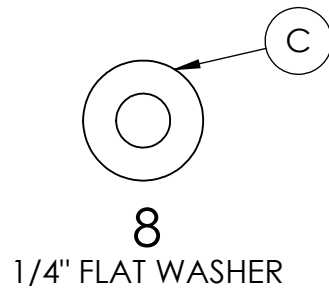
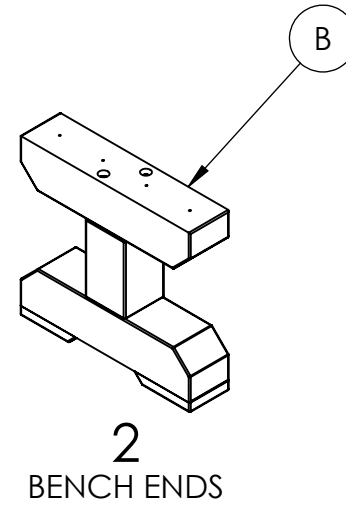
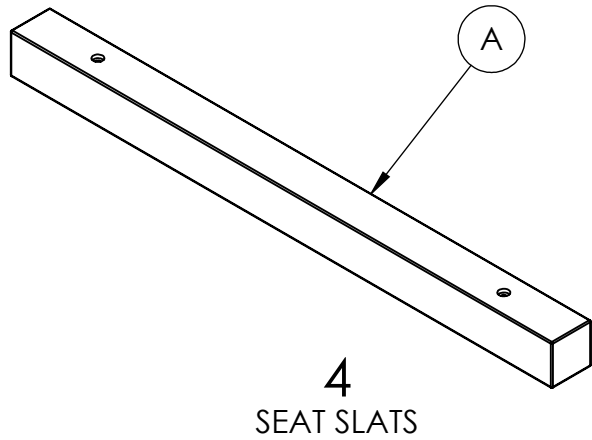


4FT BENCH INSTRUCTIONS

BC1235 REV 1
11/2015



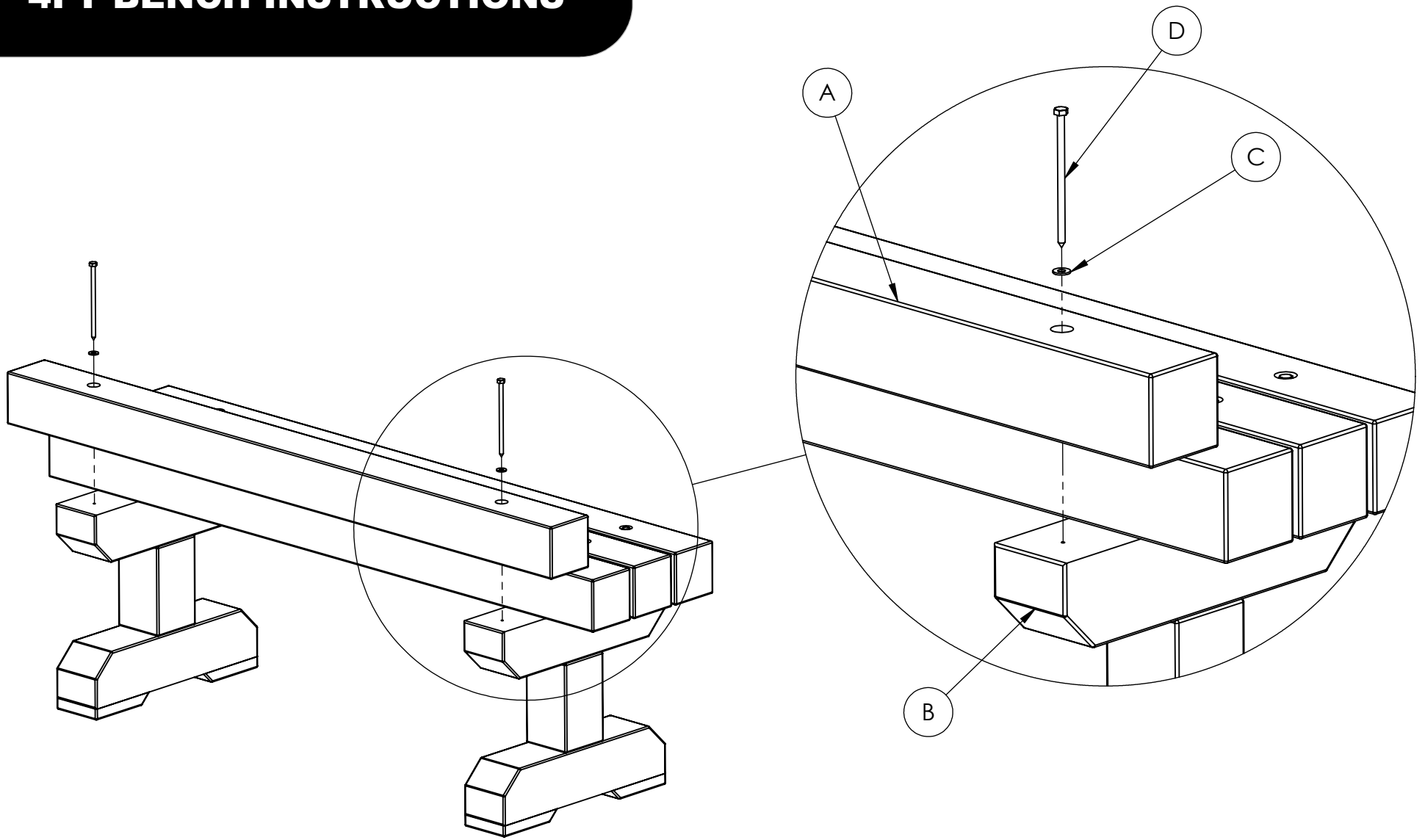
4FT BENCH INSTRUCTIONS



REQUIRED TOOLS:
-(1) 7/16" SOCKET

**INCLUDED HARDWARE &
REQUIRED TOOLS FOR
ASSEMBLY**

4FT BENCH INSTRUCTIONS



4FT BENCH SPECIFICATIONS

